



# Dealers Industrial Equipment

No.:

Date: 12-SEP-2016

Customer :

## TECHNICAL PROPOSAL

### Three-phase induction motor - Squirrel cage rotor

Product line : Three-Phase : NEMA 56 Frames - ODP

Catalog Number : 00218OS3EF56

List Price : \$324

#### Notes:

Downloaded from <http://dealerselectric.com>

Generated for Model #00218OS3EF56

Performed by:

Checked:



# Dealers Industrial Equipment

No.:

Date: 12-SEP-2016

## DATA SHEET Three-phase induction motor - Squirrel cage rotor

Customer :  
Product line : Three-Phase : NEMA 56 Frames - ODP

Frame : F56H  
Output : 2 HP  
Frequency : 60 Hz  
Poles : 4  
Full load speed : 1710 rpm  
Slip : 5.00 %  
Voltage : 208-230/460 V  
Rated current : 6.20-6.12/3.06 A  
Locked rotor current : 39.2/19.6 A  
Locked rotor current (I<sub>L</sub>/I<sub>n</sub>) : 6.4  
No-load current : 4.40/2.20 A  
Full load torque : 6.06 lb.ft  
Locked rotor torque : 250 %  
Breakdown torque : 250 %  
Design : A  
Insulation class : B  
Temperature rise : 80 K  
Locked rotor time : 10 s (hot)  
Service factor : 1.15 (1.00 at 208V)  
Duty cycle : S1  
Ambient temperature : -20°C - +40°C  
Altitude : 1000 m  
Degree of Protection : IP21  
Approximate weight : 39 lb  
Moment of inertia : 0.10323 sq.ft.lb  
Noise level : ---

|                     | D.E.    | N.D.E.  |
|---------------------|---------|---------|
| Bearings            | 6204 ZZ | 6203 ZZ |
| Regreasing interval | ---     | ---     |
| Grease amount       | ---     | ---     |

| Load | Power factor | Efficiency (%) |
|------|--------------|----------------|
| 100% | 0.80         | 77.0           |
| 75%  | 0.71         | 77.0           |
| 50%  | 0.59         | 74.0           |

Notes:  
Downloaded from <http://dealerselectric.com>  
Generated for Model #00218OS3EF56

Performed by

Checked



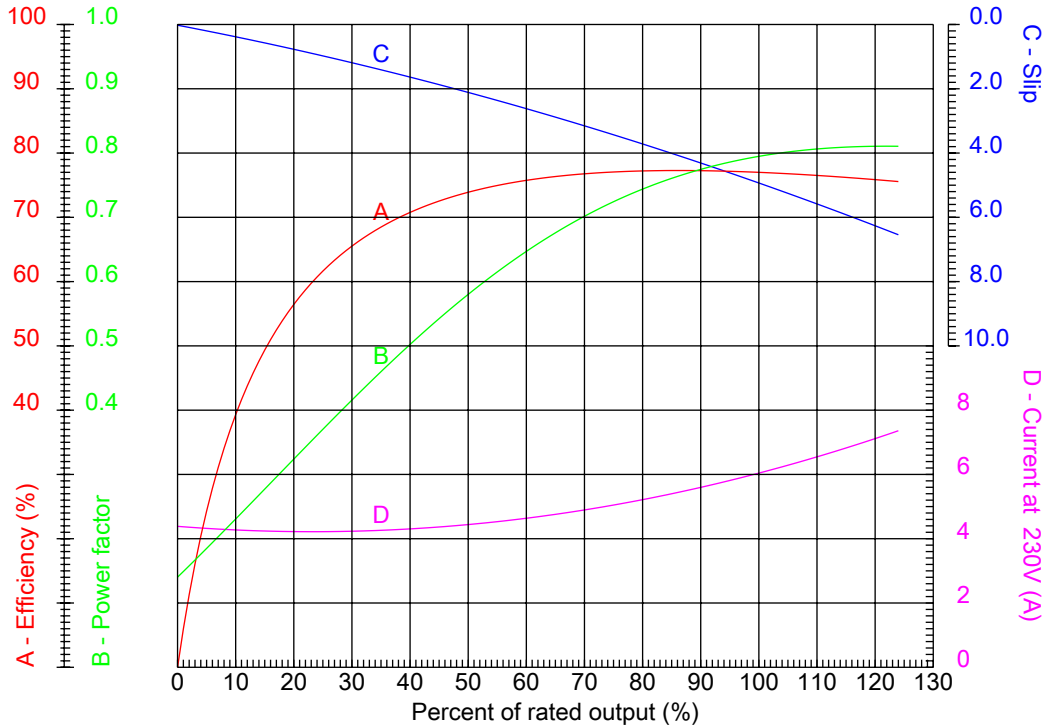
# Dealers Industrial Equipment

No.:

Date: 12-SEP-2016

## PERFORMANCE CURVES RELATED TO RATED OUTPUT

Three-phase induction motor - Squirrel cage rotor



Customer :  
 Product line : Three-Phase : NEMA 56 Frames - ODP

|                                  |  |
|----------------------------------|--|
| Frame : F56H                     | Locked rotor current (I <sub>l</sub> /I <sub>n</sub> ) : 6.4 |
| Output : 2 HP                    | Duty cycle : S1  |
| Frequency : 60 Hz                | Service factor : 1.15 (1.00 at 208V)                         |
| Full load speed : 1710 rpm       | Design : A   |
| Voltage : 208-230/460 V          | Locked rotor torque : 250 %                                  |
| Rated current : 6.20-6.12/3.06 A | Breakdown torque : 250 %                                     |
| Insulation class : B             |  |

Notes:  
 Downloaded from <http://dealerselectric.com>  
 Generated for Model #00218OS3EF56

|              |         |
|--------------|---------|
| Performed by | Checked |
|--------------|---------|



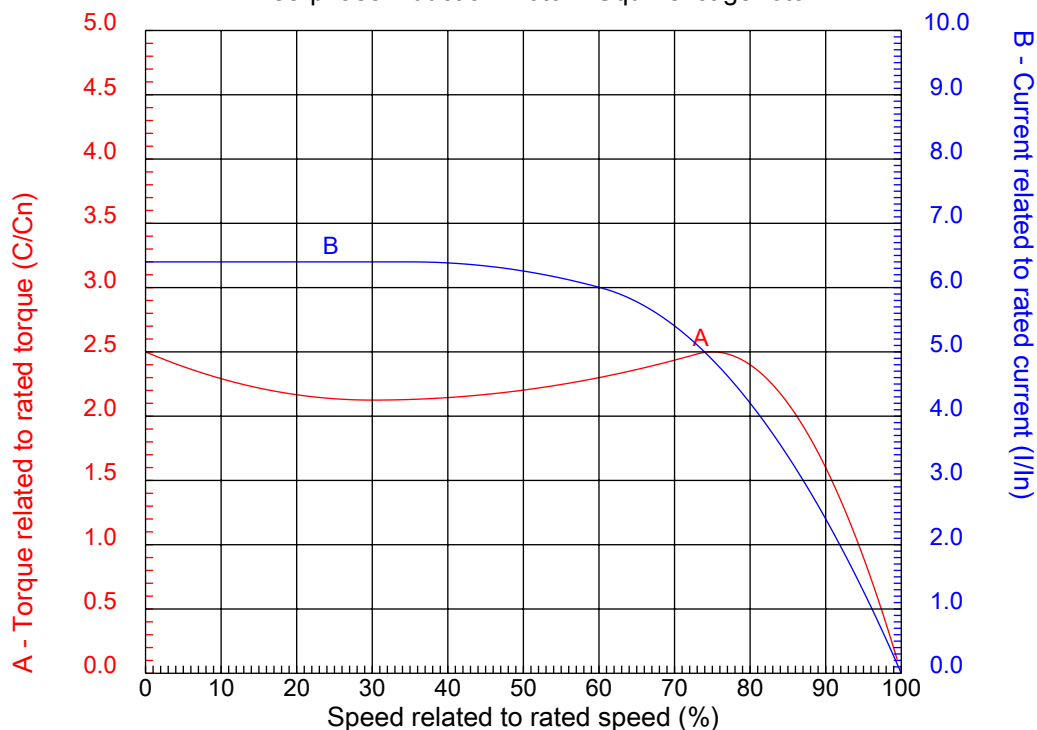
# Dealers Industrial Equipment

No.:

Date: 12-SEP-2016

## CHARACTERISTIC CURVES RELATED TO SPEED

Three-phase induction motor - Squirrel cage rotor



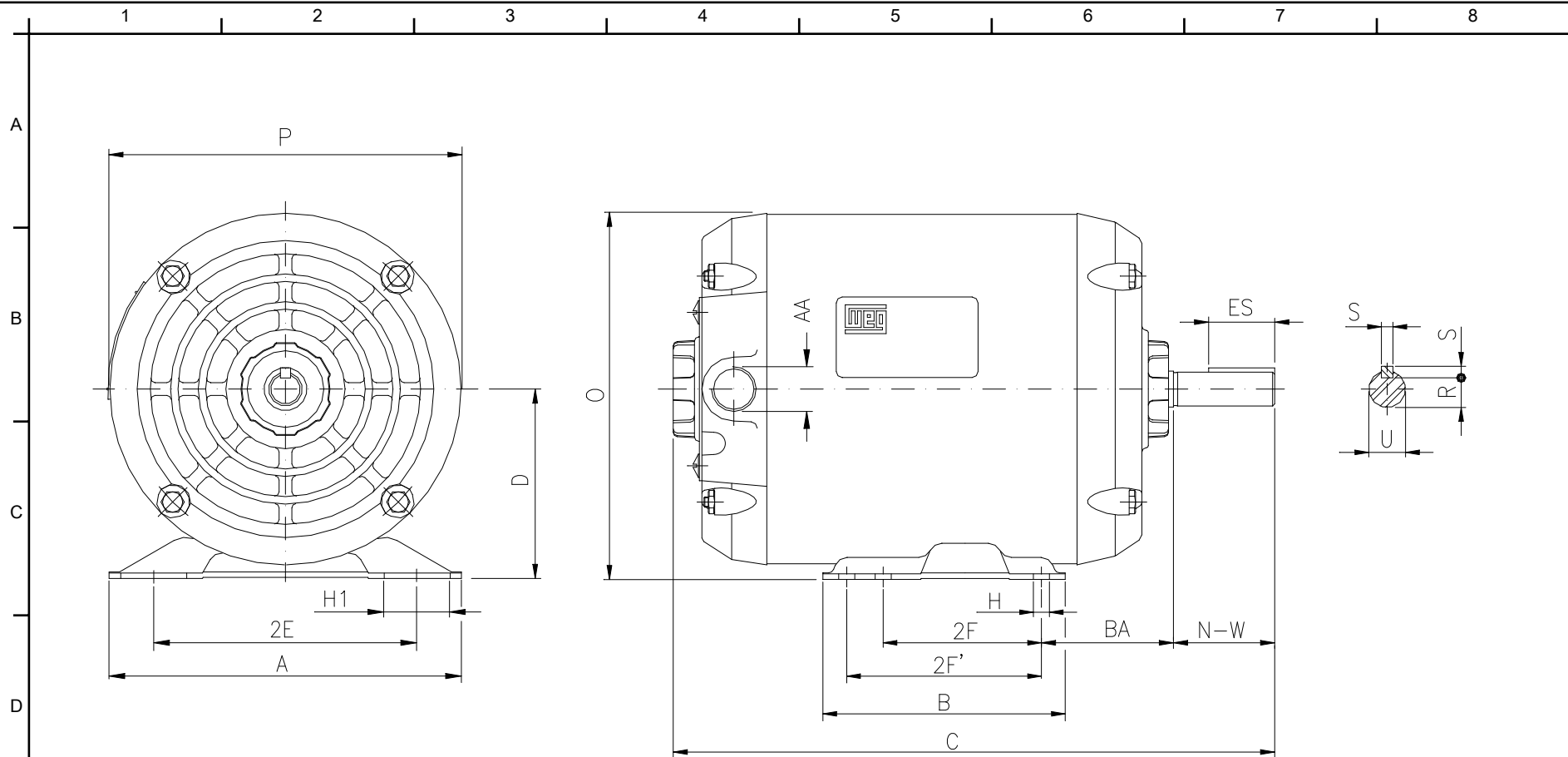
Customer :  
Product line : Three-Phase : NEMA 56 Frames - ODP

|                  |                    |  |                       |
|------------------|--------------------|--|-----------------------|
| Frame            | : F56H             | Locked rotor current (I <sub>l</sub> /I <sub>n</sub> ) | : 6.4                 |
| Output           | : 2 HP             | Duty cycle   | : S1                  |
| Frequency        | : 60 Hz            | Service factor   | : 1.15 (1.00 at 208V) |
| Full load speed  | : 1710 rpm         | Design   | : A                   |
| Voltage          | : 208-230/460 V    | Locked rotor torque                                    | : 250 %               |
| Rated current    | : 6.20-6.12/3.06 A | Breakdown torque                                       | : 250 %               |
| Insulation class | : B                |  |                       |

Notes:  
Downloaded from <http://dealerselectric.com>  
Generated for Model #00218OS3EF56

Performed by

Checked



Notes: Downloaded from <http://dealerselectric.com>  
 Generated for Model #00218OS3EF56

Performed by:

Checked:

Customer:

Three-Phase : NEMA 56 Frames - ODP

Three-phase induction motor  
 Frame F56H - IP21

12-SEP-2016



|                |              |              |                |             |
|----------------|--------------|--------------|----------------|-------------|
| 2E<br>4.874    | H<br>0.342   | A<br>6.535   | 2F<br>3.000    | B<br>6.496  |
| G<br>3.04      | BA<br>2.750  | J<br>1.220   | K<br>5.000     | P<br>6.457  |
| ES<br>1.102    | S<br>0.187   | N-W<br>1.874 | depth<br>0.187 | U<br>0.6250 |
| R<br>0.517     | d1<br>A 3.15 | D<br>3.500   | O<br>6.732     | C<br>13.464 |
| AA<br>NPT 1/2" |              |              |                |             |

1 2 3 4 5 6 7 8

A

### LOW VOLTAGE

### HIGH VOLTAGE

B



C



D

E

F

Notes: Downloaded from <http://dealerselectric.com>  
 Generated for Model #00218OS3EF56

Performed by:

Checked:

Customer:

Three-Phase : NEMA 56 Frames - ODP

Three-phase induction motor  
 Frame F56H - IP21

12-SEP-2016

