



Dealers Industrial Equipment

No.:

Date: 12-SEP-2016

Customer :

TECHNICAL PROPOSAL

Single-phase induction motor - Squirrel cage rotor

Product line : Single-Phase : NEMA 48 & 56 ODP - Start Capacitor

Catalog Number : 00218OS1BG56

List Price : \$522

Notes:

Downloaded from <http://dealerselectric.com>

Generated for Model #00218OS1BG56

Performed by:

Checked:



Dealers Industrial Equipment

No.:

Date: 12-SEP-2016

DATA SHEET Single-phase induction motor - Squirrel cage rotor

Customer :
Product line : Single-Phase : NEMA 48 & 56 ODP - Start Capacitor

Frame : G56H
Output : 2 HP
Frequency : 60 Hz
Poles : 4
Full load speed : 1730 rpm
Slip : 3.89 %
Voltage : 115/208-230 V
Rated current : 28.0/14.0-14.0 A
Locked rotor current : 157/78.4 A
Locked rotor current (I_L/I_n) : 5.6
No-load current : 21.2/10.6 A
Full load torque : 5.99 lb.ft
Locked rotor torque : 250 %
Breakdown torque : 250 %
Design : ---
Insulation class : B
Temperature rise : 80 K
Locked rotor time : 6 s (hot)
Service factor : 1.00 (1.00 at 208V)
Duty cycle : S1
Ambient temperature : -20°C - +40°C
Altitude : 1000 m
Degree of Protection : IP21
Approximate weight : 41 lb
Moment of inertia : 0.23018 sq.ft.lb
Noise level : ---

	D.E.	N.D.E.	Load	Power factor	Efficiency (%)
Bearings	6204 ZZ	6203 ZZ	100%	0.64	71.4
Regreasing interval	---	---	75%	0.53	70.6
Grease amount	---	---	50%	0.42	64.3

Notes:
Downloaded from <http://dealerselectric.com>
Generated for Model #00218OS1BG56

Performed by

Checked

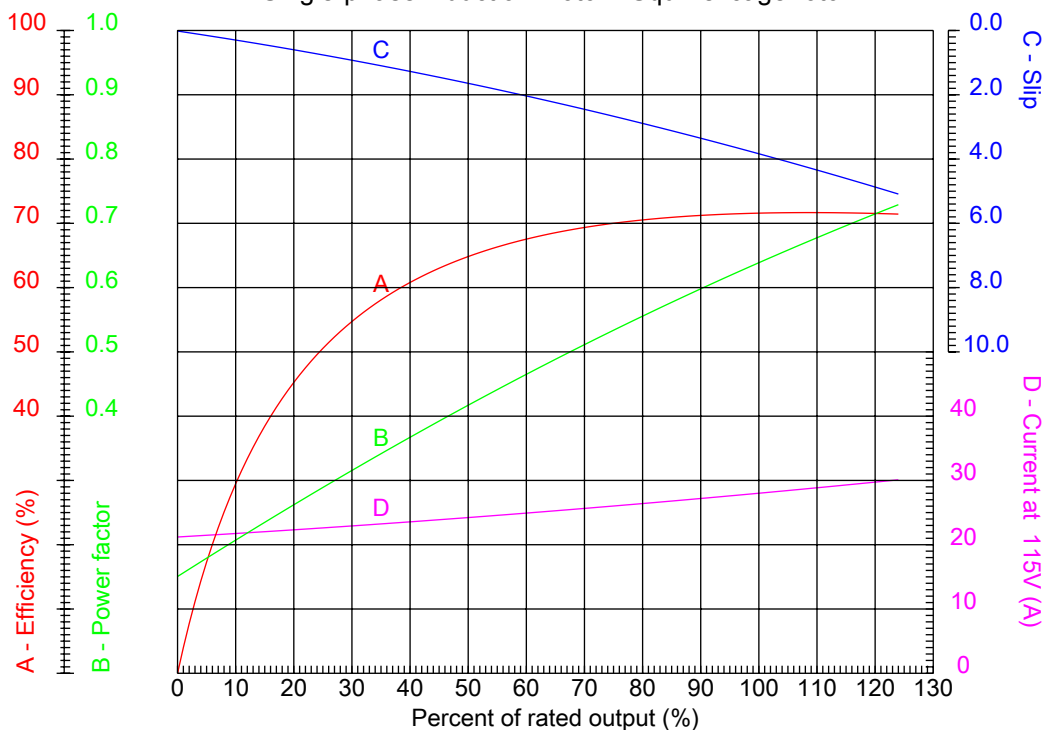


Dealers Industrial Equipment

No.:

Date: 12-SEP-2016

PERFORMANCE CURVES RELATED TO RATED OUTPUT Single-phase induction motor - Squirrel cage rotor



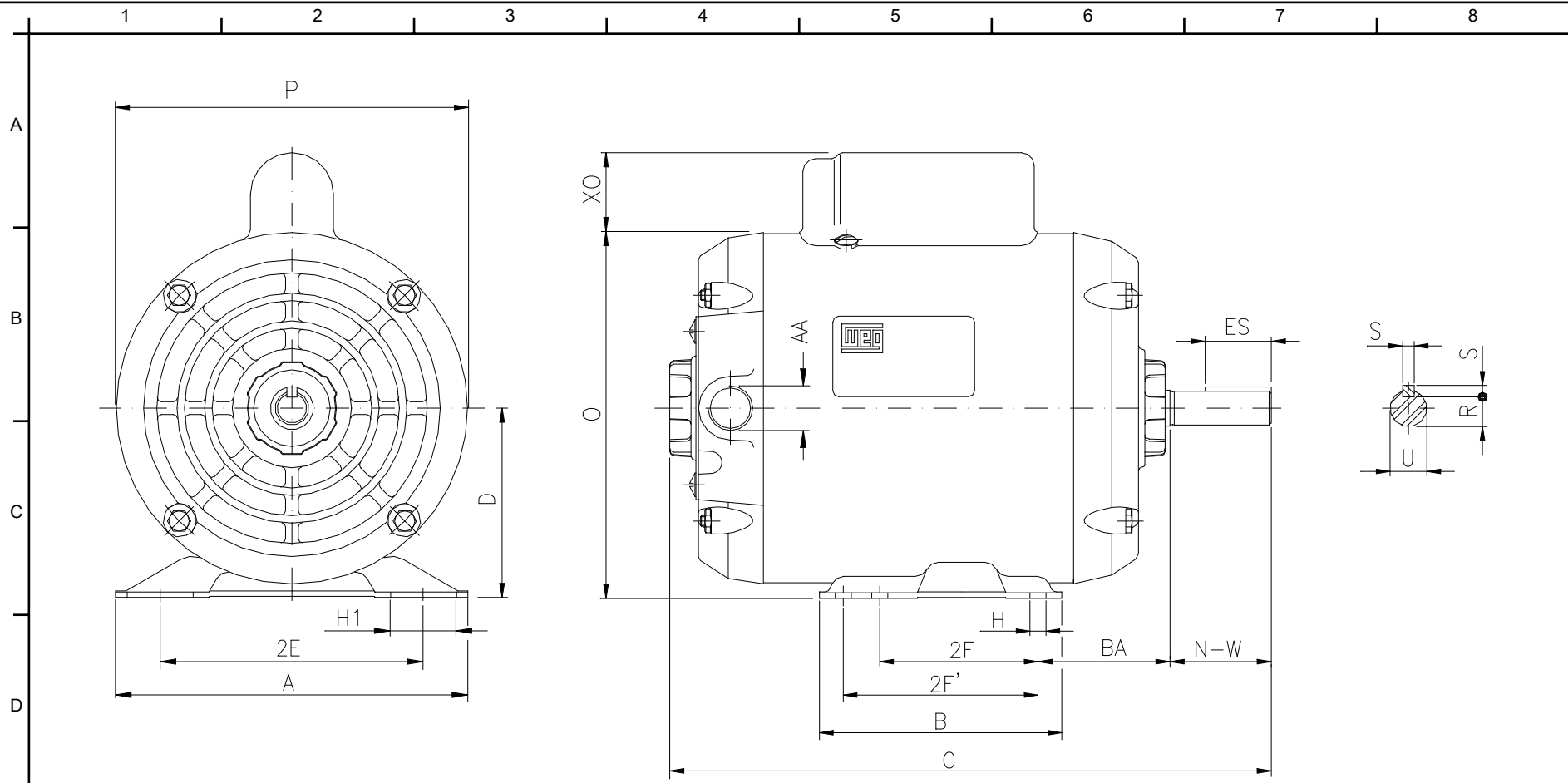
Customer :
 Product line : Single-Phase : NEMA 48 & 56 ODP - Start Capacitor

Frame	: G56H	Locked rotor current (I _l /I _n)	: 5.6
Output	: 2 HP	Duty cycle	: S1
Frequency	: 60 Hz	Service factor	: 1.00 (1.00 at 208V)
Full load speed	: 1730 rpm	Design	: ---
Voltage	: 115/208-230 V	Locked rotor torque	: 250 %
Rated current	: 28.0/14.0-14.0 A	Breakdown torque	: 250 %
Insulation class	: B		

Notes:
 Downloaded from <http://dealerselectric.com>
 Generated for Model #00218OS1BG56

Performed by

Checked



Notes: Downloaded from <http://dealerselectric.com>
 Generated for Model #00218OS1BG56

Performed by:

Checked:

Customer:

Single-Phase : NEMA 48 & 56 ODP - Start Capacitor

2E 4.874	2F 3.000/5.000	H 0.342	H1 1.220	BA 2.750
A 6.535	B 6.496	C 13.858	D 3.500	O 6.732
XO 0.000	P 6.457	ES 1.102	S 0.187	N-W 1.874
U 0.6250	R 0.517	AA NPT 1/2"	d1 A 3.15	AH 2.063

Single-phase induction motor
 Frame G56H - IP21

12-SEP-2016

