



Dealers Industrial Equipment

No.:

Date: 12-SEP-2016

Customer :

TECHNICAL PROPOSAL

Three-phase induction motor - Squirrel cage rotor

Product line : Three-Phase: W22 IE3 IEC Tru-Metric - TEFC (IP55) Cast Iron Frame

Catalog Number : 00218ET3W100L-W22

List Price : \$645

Notes:

Downloaded from <http://dealerselectric.com>

Generated for Model #00218ET3W100L-W22

Performed by:

Checked:



Dealers Industrial Equipment

No.:

Date: 12-SEP-2016

DATA SHEET Three-phase induction motor - Squirrel cage rotor

Customer :
 Product line : Three-Phase: W22 IE3 IEC Tru-Metric - TEFC (IP55) Cast Iron Frame

Frame : 100L
 Output : 3 HP
 Frequency : 60 Hz
 Poles : 4
 Full load speed : 1750 rpm
 Slip : 2.78 %
 Voltage : 460 V
 Rated current : 4.11 A
 Locked rotor current : 37.0 A
 Locked rotor current (I_L/I_n) : 9.0
 No-load current : 2.60 A
 Full load torque : 8.88 lb.ft
 Locked rotor torque : 380 %
 Breakdown torque : 370 %
 Design : ---
 Insulation class : F
 Temperature rise : 80 K
 Locked rotor time : 20 s (hot)
 Service factor : 1.25
 Duty cycle : S1
 Ambient temperature : -20°C - +40°C
 Altitude : 1000 m
 Degree of Protection : IP55
 Approximate weight : 73 lb
 Moment of inertia : 0.21357 sq.ft.lb
 Noise level : ---

	D.E.	N.D.E.
Bearings	6206 ZZ	6205 ZZ
Regreasing interval	---	---
Grease amount	---	---

Load	Power factor	Efficiency (%)
100%	0.75	89.5
75%	0.67	88.2
50%	0.54	86.6

Notes:
 Downloaded from <http://dealerselectric.com>
 Generated for Model #00218ET3W100L-W22

Performed by

Checked



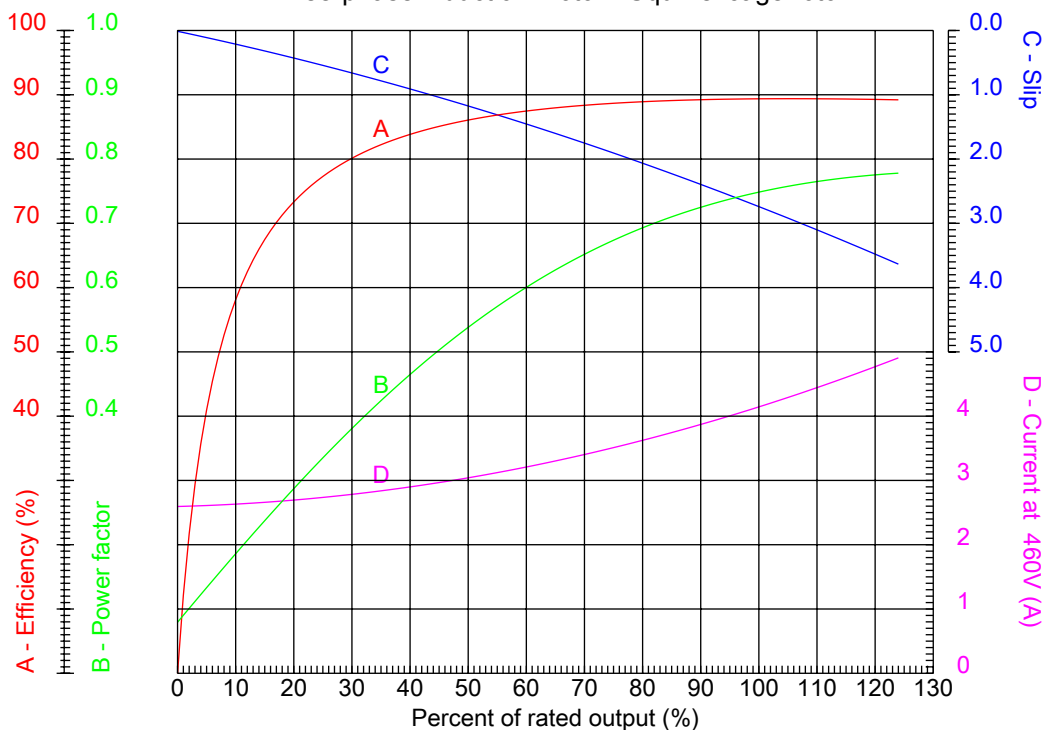
Dealers Industrial Equipment

No.:

Date: 12-SEP-2016

PERFORMANCE CURVES RELATED TO RATED OUTPUT

Three-phase induction motor - Squirrel cage rotor



Customer :
Product line : Three-Phase: W22 IE3 IEC Tru-Metric - TEFC (IP55) Cast Iron Frame

Frame	: 100L	Locked rotor current (I _l /I _n)	: 9.0
Output	: 3 HP	Duty cycle	: S1
Frequency	: 60 Hz	Service factor	: 1.25
Full load speed	: 1750 rpm	Design	: ---
Voltage	: 460 V	Locked rotor torque	: 380 %
Rated current	: 4.11 A	Breakdown torque	: 370 %
Insulation class	: F		

Notes:
Downloaded from <http://dealerselectric.com>
Generated for Model #00218ET3W100L-W22

Performed by

Checked



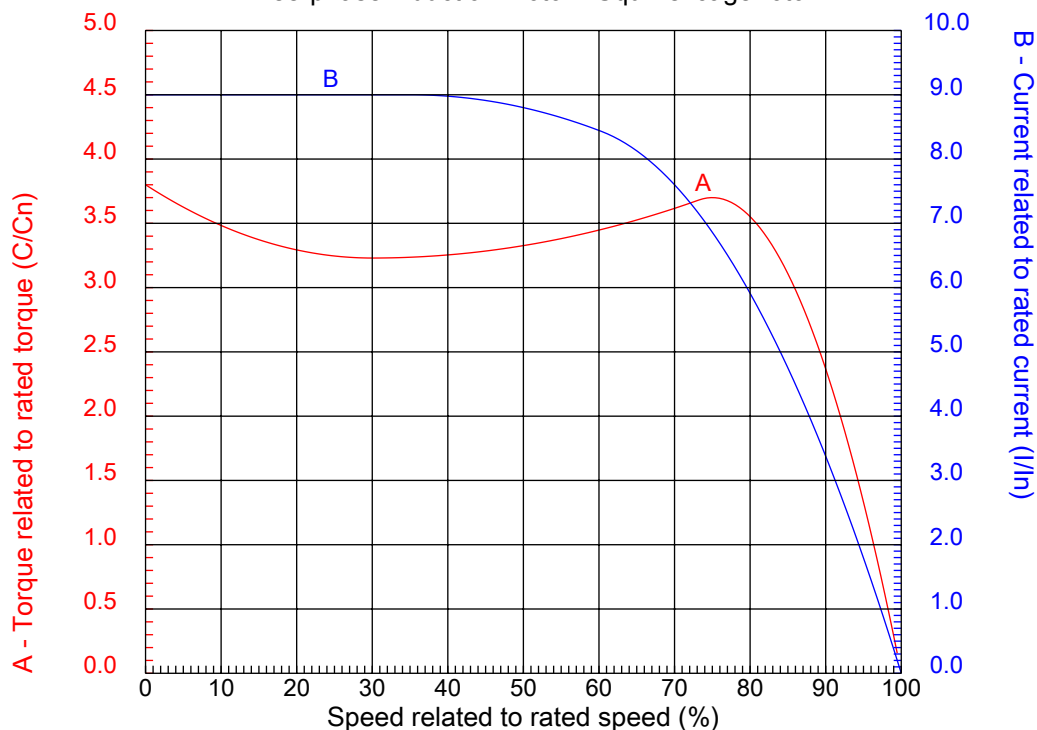
Dealers Industrial Equipment

No.:

Date: 12-SEP-2016

CHARACTERISTIC CURVES RELATED TO SPEED

Three-phase induction motor - Squirrel cage rotor



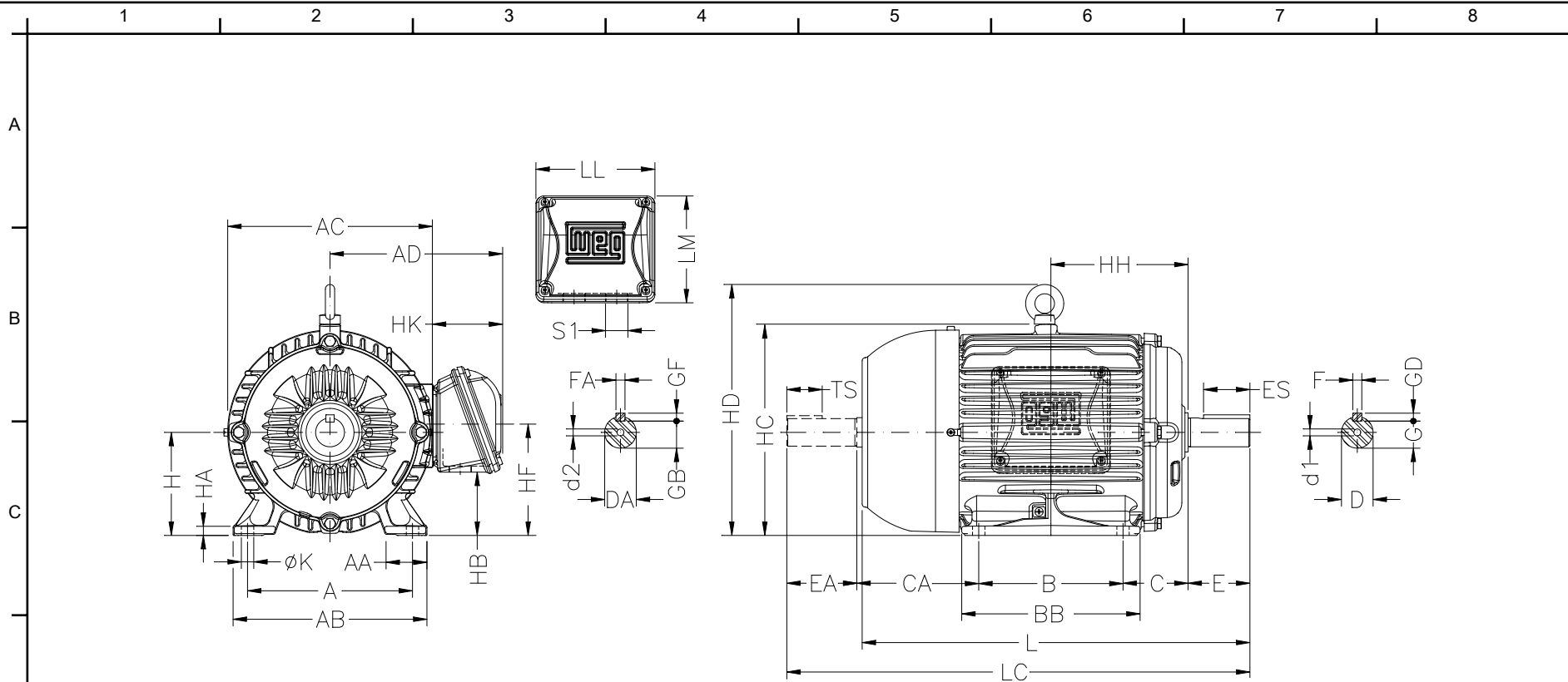
Customer :
Product line : Three-Phase: W22 IE3 IEC Tru-Metric - TEFC (IP55) Cast Iron Frame

Frame	: 100L	Locked rotor current (I _l /I _n)	: 9.0
Output	: 3 HP	Duty cycle	: S1
Frequency	: 60 Hz	Service factor	: 1.25
Full load speed	: 1750 rpm	Design	: ---
Voltage	: 460 V	Locked rotor torque	: 380 %
Rated current	: 4.11 A	Breakdown torque	: 370 %
Insulation class	: F		

Notes:
Downloaded from <http://dealerselectric.com>
Generated for Model #00218ET3W100L-W22

Performed by

Checked



Notes: Downloaded from <http://dealerselectric.com>
 Generated for Model #00218ET3W100L-W22

Performed by:

Checked:

Customer:

Three-Phase: W22 IE3 IEC Tru-Metric - TEFC (IP55) Cast Iron Frame

Three-phase induction motor
 Frame 100L - IP55

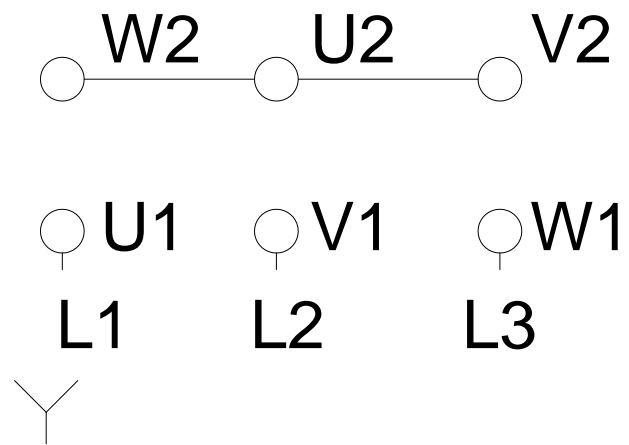
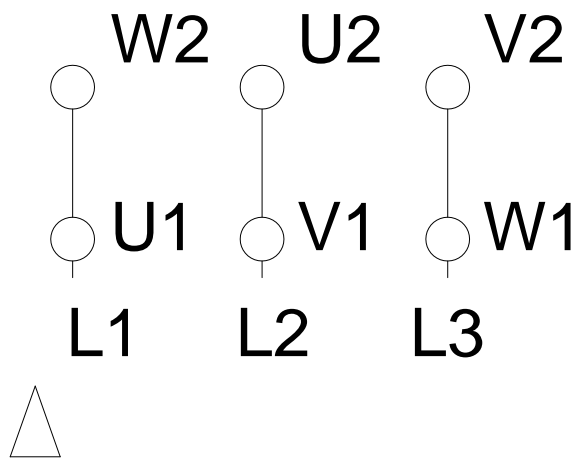
12-SEP-2016



A	AA	AB	AC	AD
160	40	188	206	169
B	BB	C	CA	D
140	173	63	118	28j6
E	ES	F	G	GD
60	45	8	24	7
DA	EA	TS	FA	GB
22j6	50	36	6	18.5
GF	H	HA	HC	HD
6	100	10	205	243.5
K	L	LC	d1	d2
12	376	431	DM10	DM8

LOW VOLTAGE

HIGH VOLTAGE



Notes: Downloaded from <http://dealerselectric.com>
Generated for Model #00218ET3W100L-W22

Performed by:

Checked:

Customer:

Three-Phase: W22 IE3 IEC Tru-Metric - TEFC (IP55) Cast Iron Frame

Three-phase induction motor
Frame 100L - IP55

12-SEP-2016

