



# Dealers Industrial Equipment

No.:

Date: 12-SEP-2016

Customer :

## TECHNICAL PROPOSAL

### Three-phase induction motor - Squirrel cage rotor

Product line : Close Coupled Pump: Three-Phase - W22 "JM" Type - TEFC - NEMA Premium

Catalog Number : 00218ET3E145JM-W22

List Price : \$707

#### Notes:

Downloaded from <http://dealerselectric.com>

Generated for Model #00218ET3E145JM-W22

Performed by:

Checked:



# Dealers Industrial Equipment

No.:

Date: 12-SEP-2016

## DATA SHEET Three-phase induction motor - Squirrel cage rotor

Customer :  
 Product line : Close Coupled Pump: Three-Phase - W22 "JM" Type - TEFC - NEMA Premium

Frame : 143/5JM  
 Output : 2 HP  
 Frequency : 60 Hz  
 Poles : 4  
 Full load speed : 1750 rpm  
 Slip : 2.78 %  
 Voltage : 208-230/460 V  
 Rated current : 5.85-5.52/2.76 A  
 Locked rotor current : 44.2/22.1 A  
 Locked rotor current (I<sub>L</sub>/I<sub>n</sub>) : 8.0  
 No-load current : 3.00/1.50 A  
 Full load torque : 5.92 lb.ft  
 Locked rotor torque : 270 %  
 Breakdown torque : 320 %  
 Design : B  
 Insulation class : F  
 Temperature rise : 80 K  
 Locked rotor time : 11 s (hot)  
 Service factor : 1.25  
 Duty cycle : S1  
 Ambient temperature : -20°C - +40°C  
 Altitude : 1000 m  
 Degree of Protection : IP55  
 Approximate weight : 51 lb  
 Moment of inertia : 0.15614 sq.ft.lb  
 Noise level : 51 dB(A)

|                     | D.E.    | N.D.E.  | Load | Power factor | Efficiency (%) |
|---------------------|---------|---------|------|--------------|----------------|
| Bearings            | 6206 ZZ | 6204 ZZ | 100% | 0.79         | 86.5           |
| Regreasing interval | ---     | ---     | 75%  | 0.70         | 86.5           |
| Grease amount       | ---     | ---     | 50%  | 0.57         | 85.5           |

Notes:  
 Downloaded from <http://dealerselectric.com>  
 Generated for Model #00218ET3E145JM-W22

Performed by

Checked



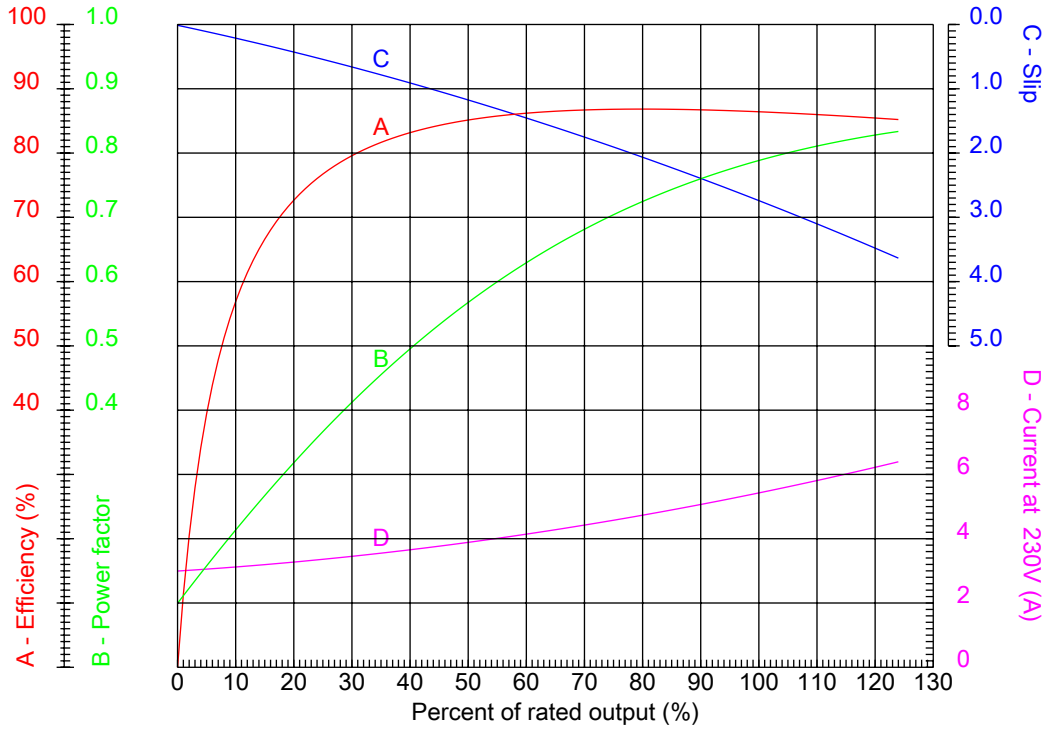
# Dealers Industrial Equipment

No.:

Date: 12-SEP-2016

## PERFORMANCE CURVES RELATED TO RATED OUTPUT

Three-phase induction motor - Squirrel cage rotor



Customer :  
 Product line : Close Coupled Pump: Three-Phase - W22 "JM" Type - TEFC - NEMA Premium

|                  |                    |  |         |
|------------------|--------------------|--|---------|
| Frame            | : 143/5JM          | Locked rotor current (I <sub>l</sub> /I <sub>n</sub> ) | : 8.0   |
| Output           | : 2 HP             | Duty cycle   | : S1    |
| Frequency        | : 60 Hz            | Service factor   | : 1.25  |
| Full load speed  | : 1750 rpm         | Design   | : B     |
| Voltage          | : 208-230/460 V    | Locked rotor torque                                    | : 270 % |
| Rated current    | : 5.85-5.52/2.76 A | Breakdown torque                                       | : 320 % |
| Insulation class | : F                |  |         |

Notes:  
 Downloaded from <http://dealerselectric.com>  
 Generated for Model #00218ET3E145JM-W22

Performed by

Checked



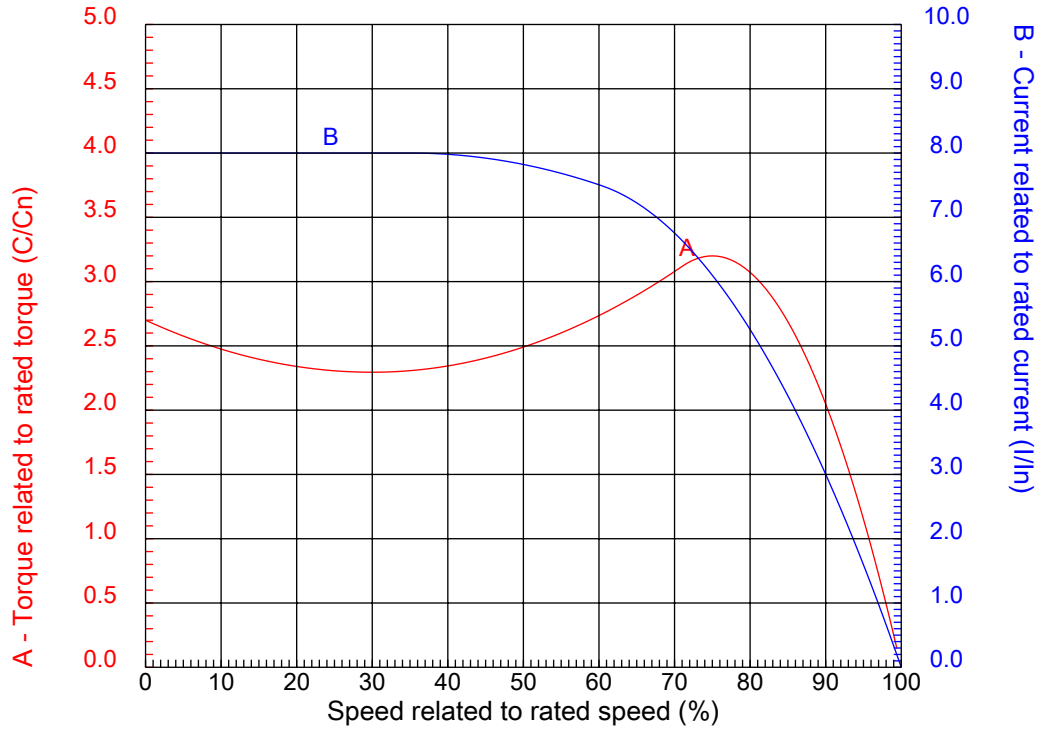
# Dealers Industrial Equipment

No.:

Date: 12-SEP-2016

## CHARACTERISTIC CURVES RELATED TO SPEED

Three-phase induction motor - Squirrel cage rotor



Customer :  
Product line : Close Coupled Pump: Three-Phase - W22 "JM" Type - TEFC - NEMA Premium

|                  |                    |  |         |
|------------------|--------------------|--|---------|
| Frame            | : 143/5JM          | Locked rotor current (I <sub>L</sub> /I <sub>n</sub> ) | : 8.0   |
| Output           | : 2 HP             | Duty cycle   | : S1    |
| Frequency        | : 60 Hz            | Service factor   | : 1.25  |
| Full load speed  | : 1750 rpm         | Design   | : B     |
| Voltage          | : 208-230/460 V    | Locked rotor torque                                    | : 270 % |
| Rated current    | : 5.85-5.52/2.76 A | Breakdown torque                                       | : 320 % |
| Insulation class | : F                |  |         |

Notes:  
Downloaded from <http://dealerselectric.com>  
Generated for Model #00218ET3E145JM-W22

Performed by

Checked

1 2 3 4 5 6 7 8

A

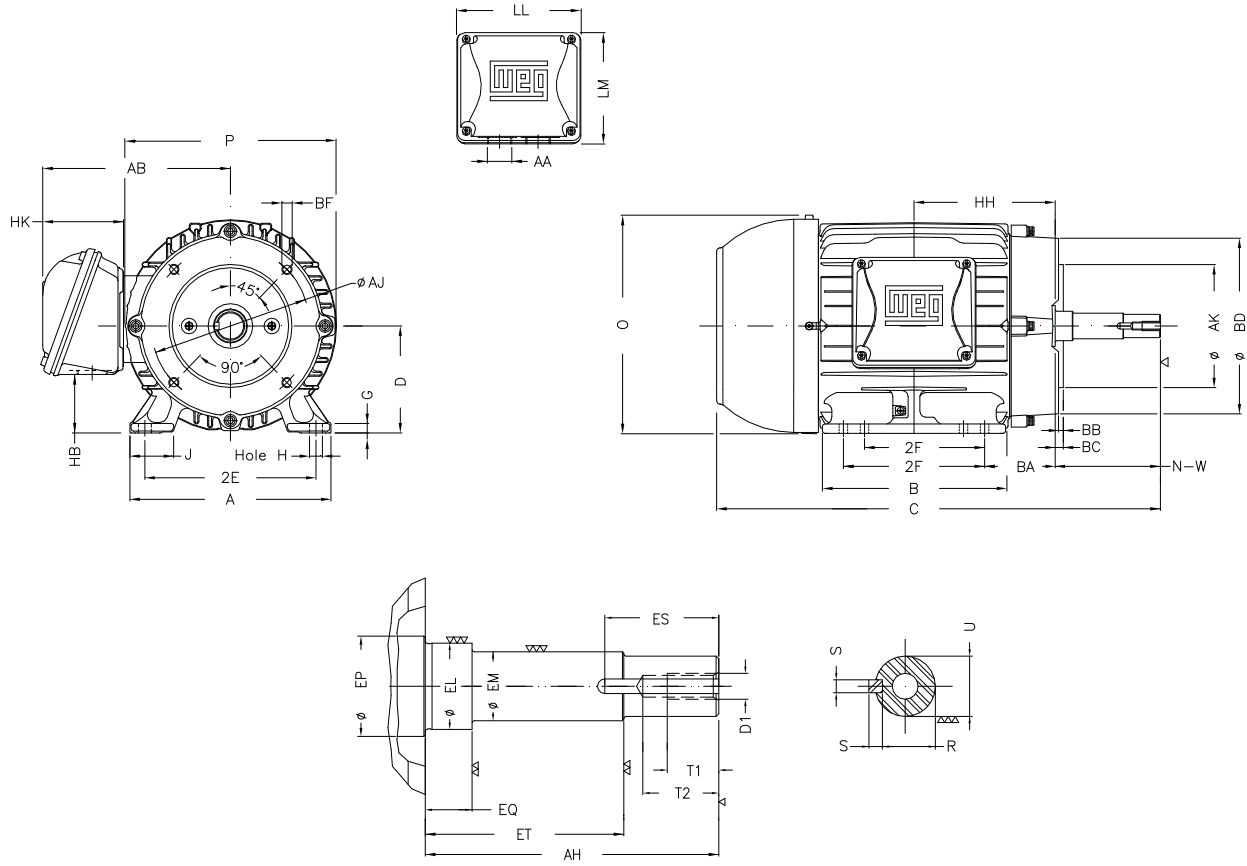
B

C

D

E

F



Notes: Downloaded from <http://dealerselectric.com>  
Generated for Model #00218ET3E145JM-W22

Performed by:

Checked:

Customer:

Close Coupled Pump: Three-Phase - W22 "JM" Type - TEFC - NEMA Premium

Three-phase induction motor  
Frame 143/5JM - IP55

12-SEP-2016



|                   |                  |                |                    |             |
|-------------------|------------------|----------------|--------------------|-------------|
| 2E<br>5.500       | J<br>1.437       | A<br>6.457     | P<br>7.047         | AB<br>6.260 |
| 2F<br>4.000/5.000 | B<br>6.142       | BA<br>2.560    | D<br>3.500         | G<br>0.354  |
| O<br>7.122        | H<br>0.344       | AA<br>NPT 3/4" | EQ<br>0.630        | ET<br>2.880 |
| U<br>0.874        | EM<br>1.000      | EL<br>1.156    | EP<br>1.179        | ES<br>1.654 |
| t1<br>0.748       | t2<br>1.102      | C<br>15.675    | d1<br>EUNC 3/8"-16 | HH<br>4.750 |
| HK<br>2.638       | HB<br>1.787      | LL<br>4.528    | LM<br>4.094        | S<br>0.187  |
| R<br>0.767        | Flange<br>FC-149 | AJ<br>5.874    | AK<br>4.500        | BD<br>6.496 |
| BF<br>UNC 3/8"x16 | BB<br>0.157      | AH<br>4.258    |                    |             |

1 2 3 4 5 6 7 8

A

### LOW VOLTAGE

### HIGH VOLTAGE

B



C



D

E

F

Notes: Downloaded from <http://dealerselectric.com>  
 Generated for Model #00218ET3E145JM-W22

Performed by:

Checked:

Customer:

Close Coupled Pump: Three-Phase - W22 "JM" Type - TEFC - NEMA Premium

Three-phase induction motor  
 Frame 143/5JM - IP55

12-SEP-2016

