



Dealers Industrial Equipment

No.:

Date: 12-SEP-2016

Customer :

TECHNICAL PROPOSAL

Three-phase induction motor - Squirrel cage rotor

Product line : Three-Phase : NEMA 56 Frames - TEFC

Catalog Number : 00218ES3EF56

List Price : \$392

Notes:

Downloaded from <http://dealerselectric.com>

Generated for Model #00218ES3EF56

Performed by:

Checked:



Dealers Industrial Equipment

No.:

Date: 12-SEP-2016

DATA SHEET Three-phase induction motor - Squirrel cage rotor

Customer :
Product line : Three-Phase : NEMA 56 Frames - TEFC

Frame : F56H
Output : 2 HP
Frequency : 60 Hz
Poles : 4
Full load speed : 1740 rpm
Slip : 3.33 %
Voltage : 208-230/460 V
Rated current : 6.15-5.80/2.90 A
Locked rotor current : 49.9/24.9 A
Locked rotor current (I_L/I_n) : 8.6
No-load current : 3.40/1.70 A
Full load torque : 5.96 lb.ft
Locked rotor torque : 300 %
Breakdown torque : 320 %
Design : A
Insulation class : F
Temperature rise : 80 K
Locked rotor time : 10 s (hot)
Service factor : 1.15 (1.00 at 208V)
Duty cycle : S1
Ambient temperature : -20°C - +40°C
Altitude : 1000 m
Degree of Protection : IP55
Approximate weight : 45 lb
Moment of inertia : 0.20408 sq.ft.lb
Noise level : ---

	D.E.	N.D.E.
Bearings	6204 ZZ	6203 ZZ
Regreasing interval	---	---
Grease amount	---	---

Load	Power factor	Efficiency (%)
100%	0.79	82.0
75%	0.71	81.0
50%	0.59	77.5

Notes:
Downloaded from <http://dealerselectric.com>
Generated for Model #00218ES3EF56

Performed by

Checked



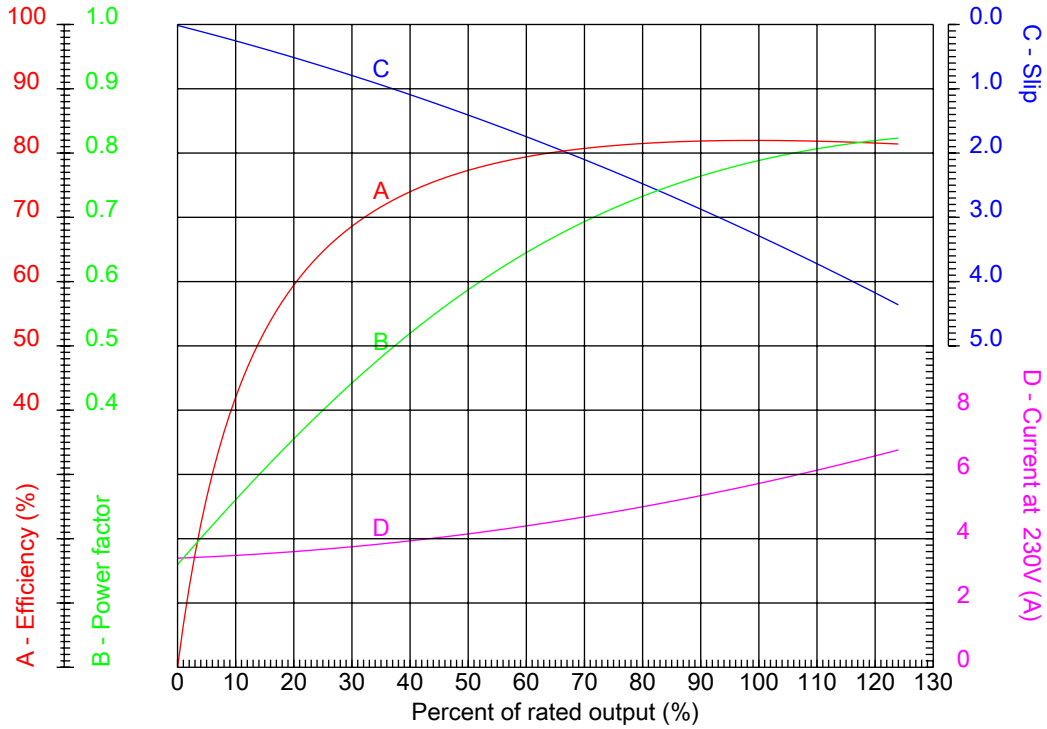
Dealers Industrial Equipment

No.:

Date: 12-SEP-2016

PERFORMANCE CURVES RELATED TO RATED OUTPUT

Three-phase induction motor - Squirrel cage rotor



Customer :
 Product line : Three-Phase : NEMA 56 Frames - TEFC

Frame	: F56H	Locked rotor current (I _L /I _n)	: 8.6
Output	: 2 HP	Duty cycle	: S1
Frequency	: 60 Hz	Service factor	: 1.15 (1.00 at 208V)
Full load speed	: 1740 rpm	Design	: A
Voltage	: 208-230/460 V	Locked rotor torque	: 300 %
Rated current	: 6.15-5.80/2.90 A	Breakdown torque	: 320 %
Insulation class	: F		

Notes:
 Downloaded from <http://dealerselectric.com>
 Generated for Model #00218ES3EF56

Performed by

Checked



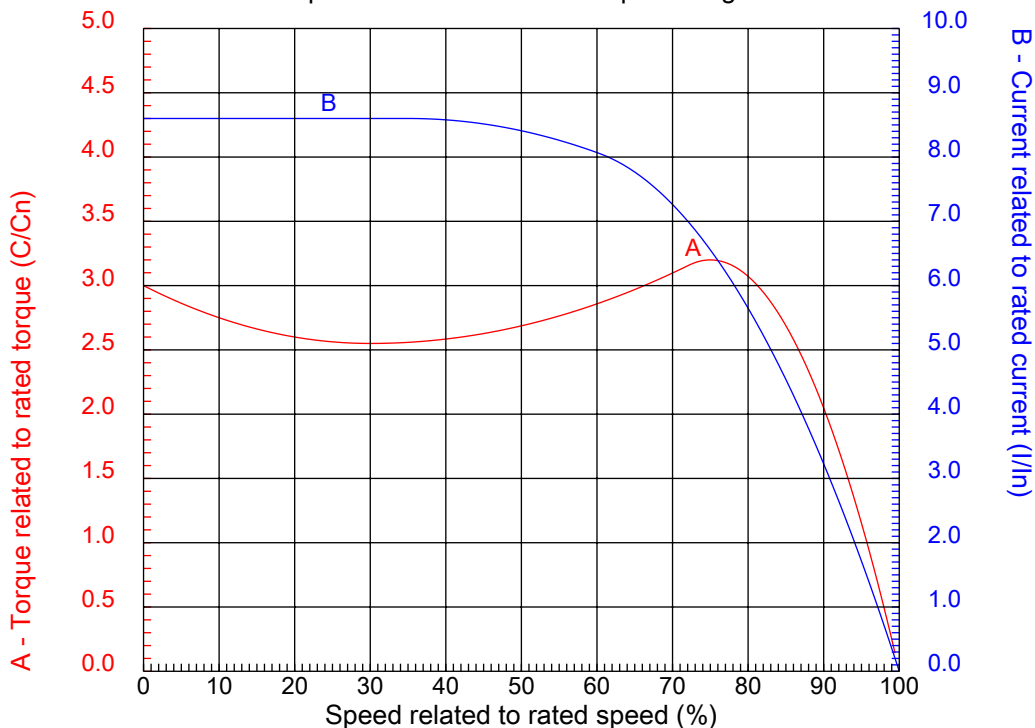
Dealers Industrial Equipment

No.:

Date: 12-SEP-2016

CHARACTERISTIC CURVES RELATED TO SPEED

Three-phase induction motor - Squirrel cage rotor



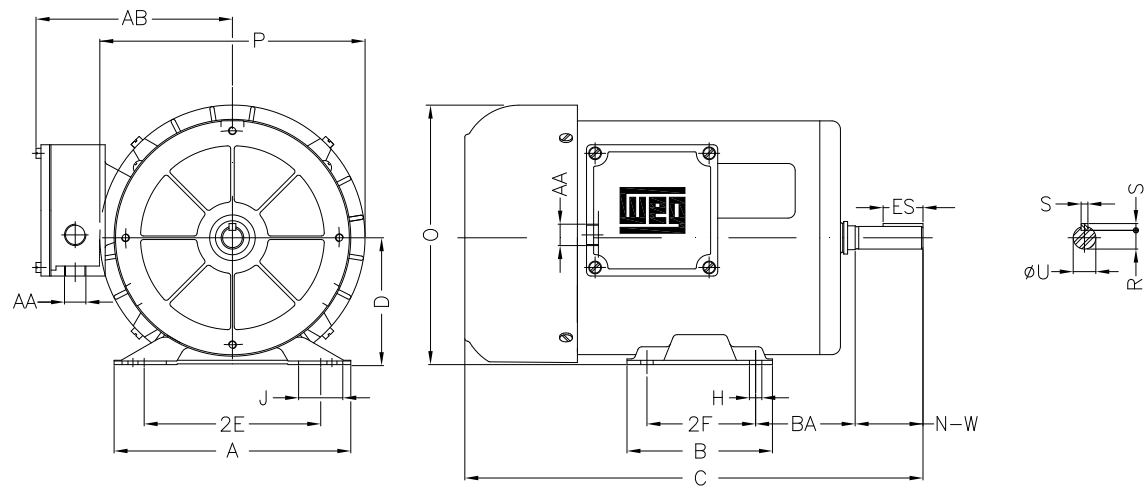
Customer :
 Product line : Three-Phase : NEMA 56 Frames - TEFC

Frame	: F56H	Locked rotor current (I _l /I _h)	: 8.6
Output	: 2 HP	Duty cycle	: S1
Frequency	: 60 Hz	Service factor	: 1.15 (1.00 at 208V)
Full load speed	: 1740 rpm	Design	: A
Voltage	: 208-230/460 V	Locked rotor torque	: 300 %
Rated current	: 6.15-5.80/2.90 A	Breakdown torque	: 320 %
Insulation class	: F		

Notes:
 Downloaded from <http://dealerselectric.com>
 Generated for Model #00218ES3EF56

Performed by

Checked



Notes: Downloaded from <http://dealerselectric.com>
 Generated for Model #00218ES3EF56

Performed by:

Checked:

Customer:

Three-Phase : NEMA 56 Frames - TEFC

Three-phase induction motor
 Frame F56H - IP55

12-SEP-2016



2E	2F	H	BA	A
4.874	3.000	0.343	2.748	6.535
B	C	D	J	K
6.496	13.464	3.500	1.220	5.000
O	P	S	ES	R
7.165	7.323	0.187	1.102	0.517
N-W	U	AB	AA	
1.874	0.6250	5.433	2XNPT 1/2"	

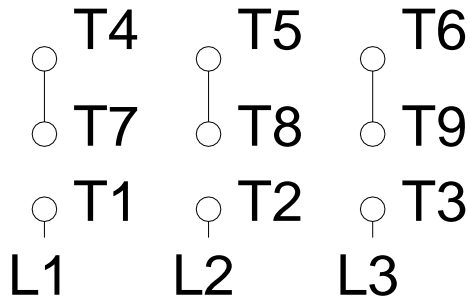
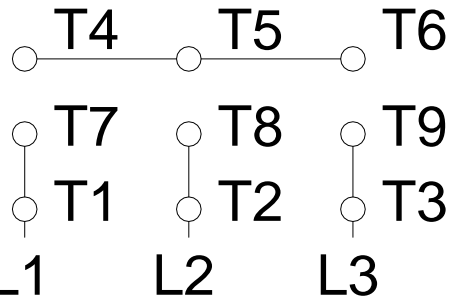
1 2 3 4 5 6 7 8

A

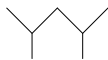
LOW VOLTAGE

HIGH VOLTAGE

B



C



D

E

F

Notes: Downloaded from <http://dealerselectric.com>
Generated for Model #00218ES3EF56

Performed by:

Checked:

Customer:

Three-Phase : NEMA 56 Frames - TEFC

Three-phase induction motor
Frame F56H - IP55

12-SEP-2016

