



Dealers Industrial Equipment

No.:

Date: 12-SEP-2016

Customer :

TECHNICAL PROPOSAL

Single-phase induction motor - Squirrel cage rotor

Product line : Farm Duty Motors : TEFC (IP55) - Single-Phase

Catalog Number : 00218ES1RFDG56H

List Price : \$529

Notes:

Downloaded from <http://dealerselectric.com>

Generated for Model #00218ES1RFDG56H

Performed by:

Checked:



Dealers Industrial Equipment

No.:

Date: 12-SEP-2016

DATA SHEET Single-phase induction motor - Squirrel cage rotor

Customer :
 Product line : Farm Duty Motors : TEFC (IP55) - Single-Phase

Frame : G56H
 Output : 2 HP
 Frequency : 60 Hz
 Poles : 4
 Full load speed : 1750 rpm
 Slip : 2.78 %
 Voltage : 115/230 V
 Rated current : 21.0/10.5 A
 Locked rotor current : 145/72.4 A
 Locked rotor current (I_L/I_n) : 6.9
 No-load current : 12.4/6.20 A
 Full load torque : 5.92 lb.ft
 Locked rotor torque : 280 %
 Breakdown torque : 250 %
 Design : ---
 Insulation class : B
 Temperature rise : 80 K
 Locked rotor time : 6 s (hot)
 Service factor : 1.15
 Duty cycle : S1
 Ambient temperature : -20°C - +40°C
 Altitude : 1000 m
 Degree of Protection : IP55
 Approximate weight : 51 lb
 Moment of inertia : 0.21333 sq.ft.lb
 Noise level : ---

	D.E.	N.D.E.
Bearings	6204 ZZ	6203 ZZ
Regreasing interval	---	---
Grease amount	---	---

Load	Power factor	Efficiency (%)
100%	0.78	78.1
75%	0.71	78.0
50%	0.60	74.0

Notes:
 Downloaded from <http://dealerselectric.com>
 Generated for Model #00218ES1RFDG56H

Performed by

Checked



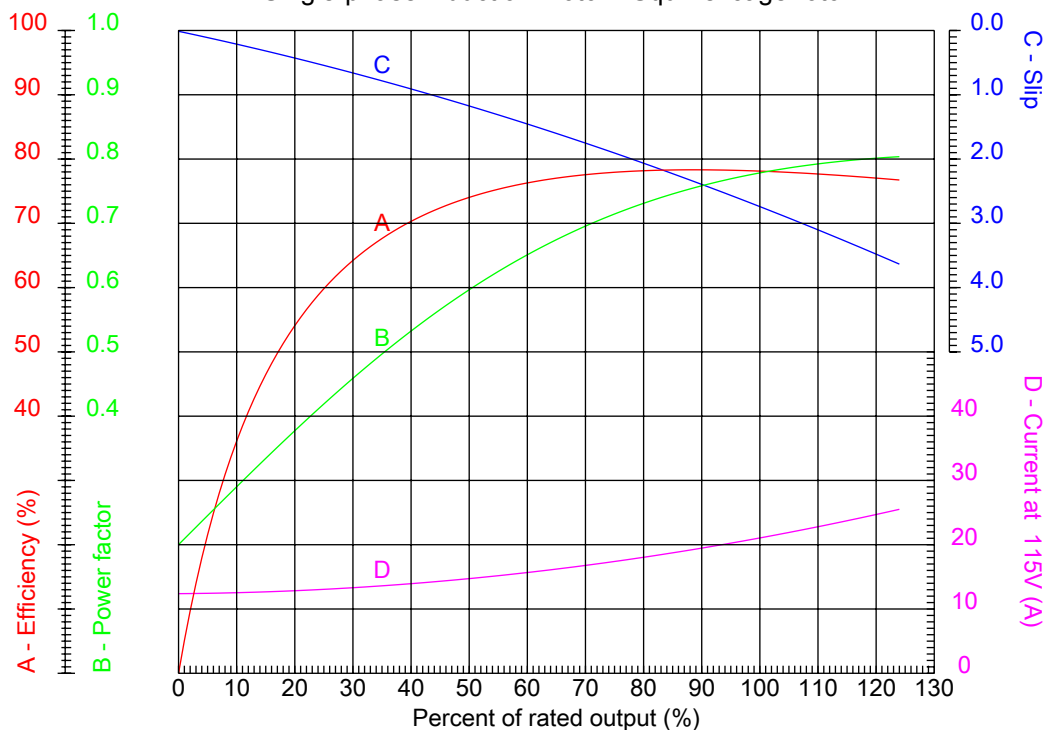
Dealers Industrial Equipment

No.:

Date: 12-SEP-2016

PERFORMANCE CURVES RELATED TO RATED OUTPUT

Single-phase induction motor - Squirrel cage rotor



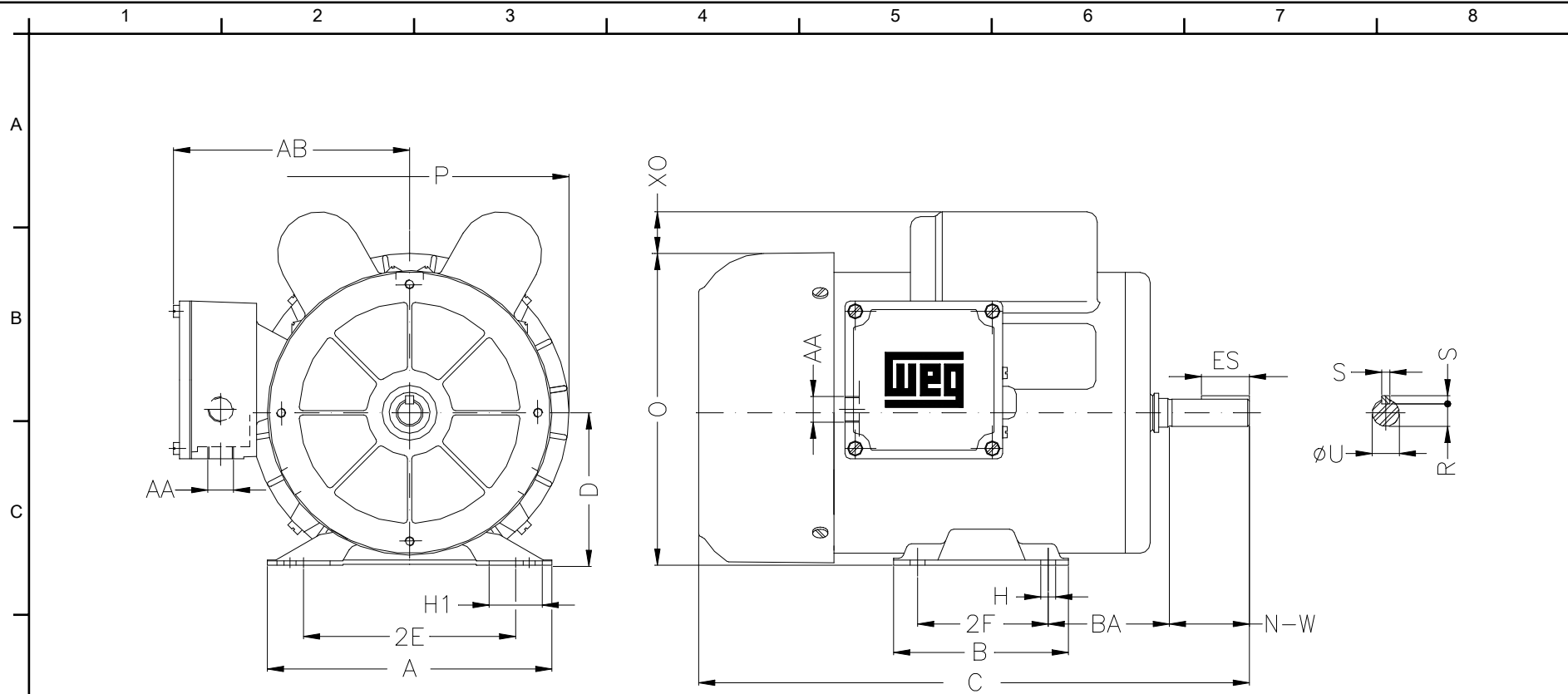
Customer :
 Product line : Farm Duty Motors : TEFC (IP55) - Single-Phase

Frame : G56H	Locked rotor current (I _l /I _n) : 6.9
Output : 2 HP	Duty cycle : S1
Frequency : 60 Hz	Service factor : 1.15
Full load speed : 1750 rpm	Design : ---
Voltage : 115/230 V	Locked rotor torque : 280 %
Rated current : 21.0/10.5 A	Breakdown torque : 250 %
Insulation class : B	

Notes:
 Downloaded from <http://dealerselectric.com>
 Generated for Model #00218ES1RFDG56H

Performed by

Checked



Notes: Downloaded from <http://dealerselectric.com>
 Generated for Model #00218ES1RFDG56H

Performed by:

Checked:

Customer:

Farm Duty Motors : TEFC (IP55) - Single-Phase

2E 4.874	2F 3.000	H 0.342	BA 2.750	A 6.535
B 6.496	C 13.858	D 3.500	G 3.04	J 1.220
K 5.000	O 7.165	P 7.323	ES 1.102	S 0.187
N-W 1.874	U 0.6250	R 0.517	AB 5.433	AA 2xNPT 1/2"
d1 A 3.15				

Single-phase induction motor
 Frame G56H - IP55

12-SEP-2016

