



# Dealers Industrial Equipment

No.:

Date: 12-SEP-2016

Customer :

## TECHNICAL PROPOSAL

### Single-phase induction motor - Squirrel cage rotor

Product line : Farm Duty Motors : TEFC (IP55) - Single-Phase

Catalog Number : 00218ES1RFD182T

List Price : \$790

#### Notes:

Downloaded from <http://dealerselectric.com>

Generated for Model #00218ES1RFD182T

Performed by:

Checked:



# Dealers Industrial Equipment

No.:

Date: 12-SEP-2016

## DATA SHEET Single-phase induction motor - Squirrel cage rotor

Customer :  
 Product line : Farm Duty Motors : TEFC (IP55) - Single-Phase

Frame : W182/4T  
 Output : 2 HP  
 Frequency : 60 Hz  
 Poles : 4  
 Full load speed : 1725 rpm  
 Slip : 4.17 %  
 Voltage : 115/230 V  
 Rated current : 20.0/10.0 A  
 Locked rotor current : 120/60.0 A  
 Locked rotor current (I<sub>L</sub>/I<sub>n</sub>) : 6.0  
 No-load current : 7.50/3.75 A  
 Full load torque : 6.01 lb.ft  
 Locked rotor torque : 250 %  
 Breakdown torque : 240 %  
 Design : ---  
 Insulation class : F  
 Temperature rise : 80 K  
 Locked rotor time : 6 s (hot)  
 Service factor : 1.15  
 Duty cycle : S1  
 Ambient temperature : -20°C - +40°C  
 Altitude : 1000 m  
 Degree of Protection : IP55  
 Approximate weight : 82 lb  
 Moment of inertia : 0.21191 sq.ft.lb  
 Noise level : 55 dB(A)

	D.E.	N.D.E.
Bearings	6206 ZZ	6206 ZZ
Regreasing interval	---	---
Grease amount	---	---

Load	Power factor	Efficiency (%)
100%	0.88	81.0
75%	0.83	80.0
50%	0.77	76.0

Notes:  
 Downloaded from <http://dealerselectric.com>  
 Generated for Model #00218ES1RFD182T

Performed by

Checked



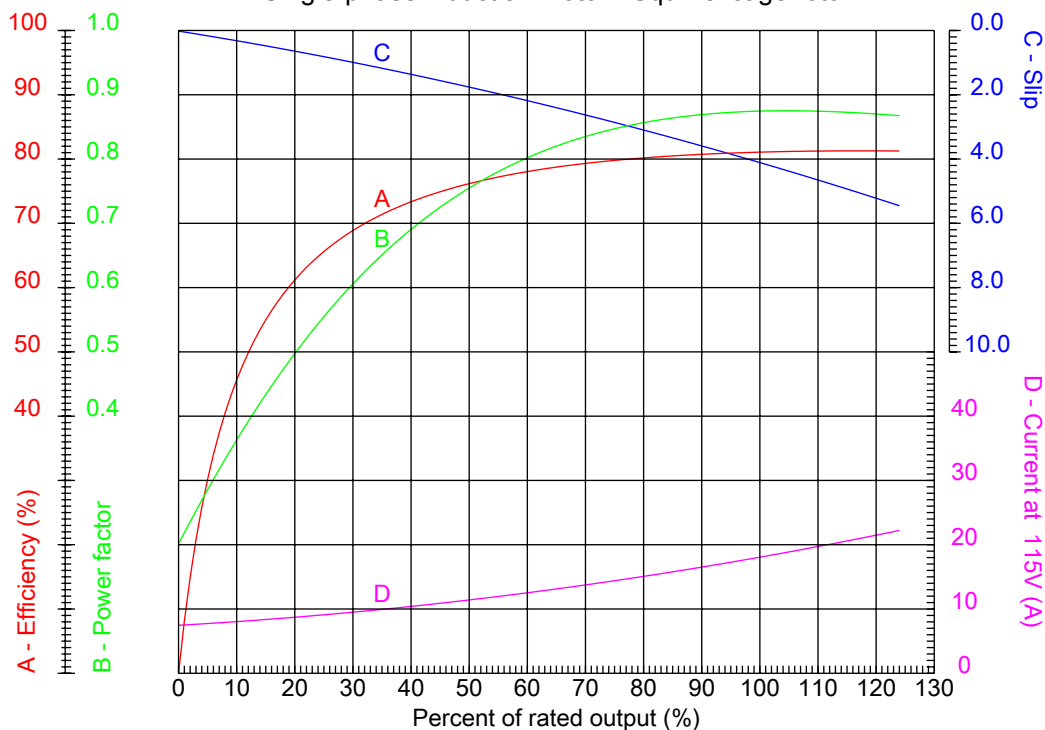
# Dealers Industrial Equipment

No.:

Date: 12-SEP-2016

## PERFORMANCE CURVES RELATED TO RATED OUTPUT

Single-phase induction motor - Squirrel cage rotor



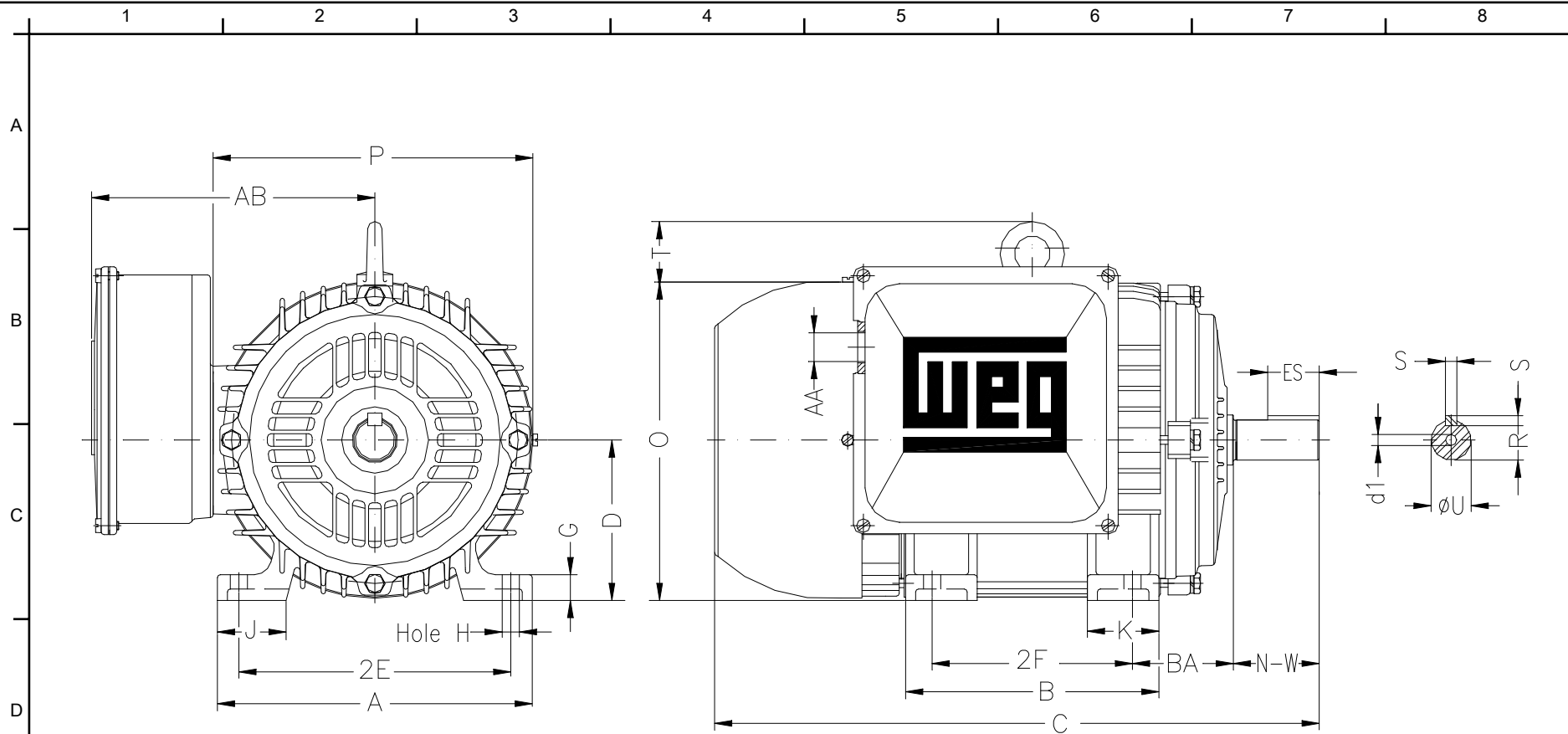
Customer :  
 Product line : Farm Duty Motors : TEFC (IP55) - Single-Phase

Frame	: W182/4T	Locked rotor current (I <sub>l</sub> /I <sub>n</sub> )	: 6.0
Output	: 2 HP	Duty cycle	: S1
Frequency	: 60 Hz	Service factor	: 1.15
Full load speed	: 1725 rpm	Design	: ---
Voltage	: 115/230 V	Locked rotor torque	: 250 %
Rated current	: 20.0/10.0 A	Breakdown torque	: 240 %
Insulation class	: F		

Notes:  
 Downloaded from <http://dealerselectric.com>  
 Generated for Model #00218ES1RFD182T

Performed by

Checked



Notes: Downloaded from <http://dealerselectric.com>  
 Generated for Model #00218ES1RFD182T

Performed by:

Checked:

Customer:

Farm Duty Motors : TEFC (IP55) - Single-Phase

2E 7.500	2F 4.500/5.500	H 0.406	BA 2.750	A 8.661
B 6.968	C 17.244	D 4.500	G 0.630	J 1.890
K 2.441	O 8.267	P 7.800	ES 1.968	S 0.250
N-W 2.750	U 1.125	R 0.984	AB 7.362	AA NPT 3/4"
d1 A4				

Single-phase induction motor  
 Frame W182/4T - IP55

12-SEP-2016

