



Dealers Industrial Equipment

No.:

Date: 12-SEP-2016

Customer :

TECHNICAL PROPOSAL

Single-phase induction motor - Squirrel cage rotor

Product line : Farm Duty Motors : TEFC (IP55) - Single-Phase

Catalog Number : 00218ES1RFD145T

List Price : \$578

Notes:

Downloaded from <http://dealerselectric.com>

Generated for Model #00218ES1RFD145T

Performed by:

Checked:



Dealers Industrial Equipment

No.:

Date: 12-SEP-2016

DATA SHEET Single-phase induction motor - Squirrel cage rotor

Customer :
Product line : Farm Duty Motors : TEFC (IP55) - Single-Phase

Frame : G145T
Output : 2 HP
Frequency : 60 Hz
Poles : 4
Full load speed : 1750 rpm
Slip : 2.78 %
Voltage : 115/230 V
Rated current : 21.0/10.5 A
Locked rotor current : 145/72.4 A
Locked rotor current (I_L/I_n) : 6.9
No-load current : 12.4/6.20 A
Full load torque : 5.92 lb.ft
Locked rotor torque : 280 %
Breakdown torque : 250 %
Design : ---
Insulation class : B
Temperature rise : 80 K
Locked rotor time : 6 s (hot)
Service factor : 1.15
Duty cycle : S1
Ambient temperature : -20°C - +40°C
Altitude : 1000 m
Degree of Protection : IP55
Approximate weight : 53 lb
Moment of inertia : 0.21333 sq.ft.lb
Noise level : ---

| | D.E. | N.D.E. |
|---------------------|---------|---------|
| Bearings | 6205 ZZ | 6203 ZZ |
| Regreasing interval | --- | --- |
| Grease amount | --- | --- |

| Load | Power factor | Efficiency (%) |
|------|--------------|----------------|
| 100% | 0.78 | 78.1 |
| 75% | 0.71 | 78.0 |
| 50% | 0.60 | 74.0 |

Notes:
Downloaded from <http://dealerselectric.com>
Generated for Model #00218ES1RFD145T

Performed by

Checked



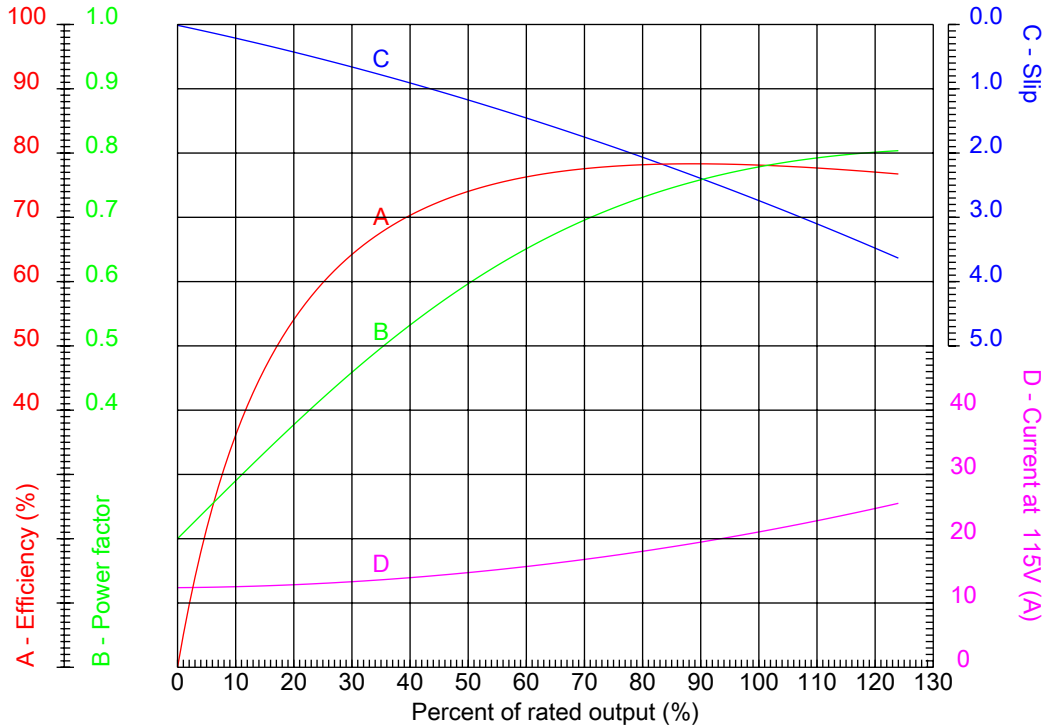
Dealers Industrial Equipment

No.:

Date: 12-SEP-2016

PERFORMANCE CURVES RELATED TO RATED OUTPUT

Single-phase induction motor - Squirrel cage rotor



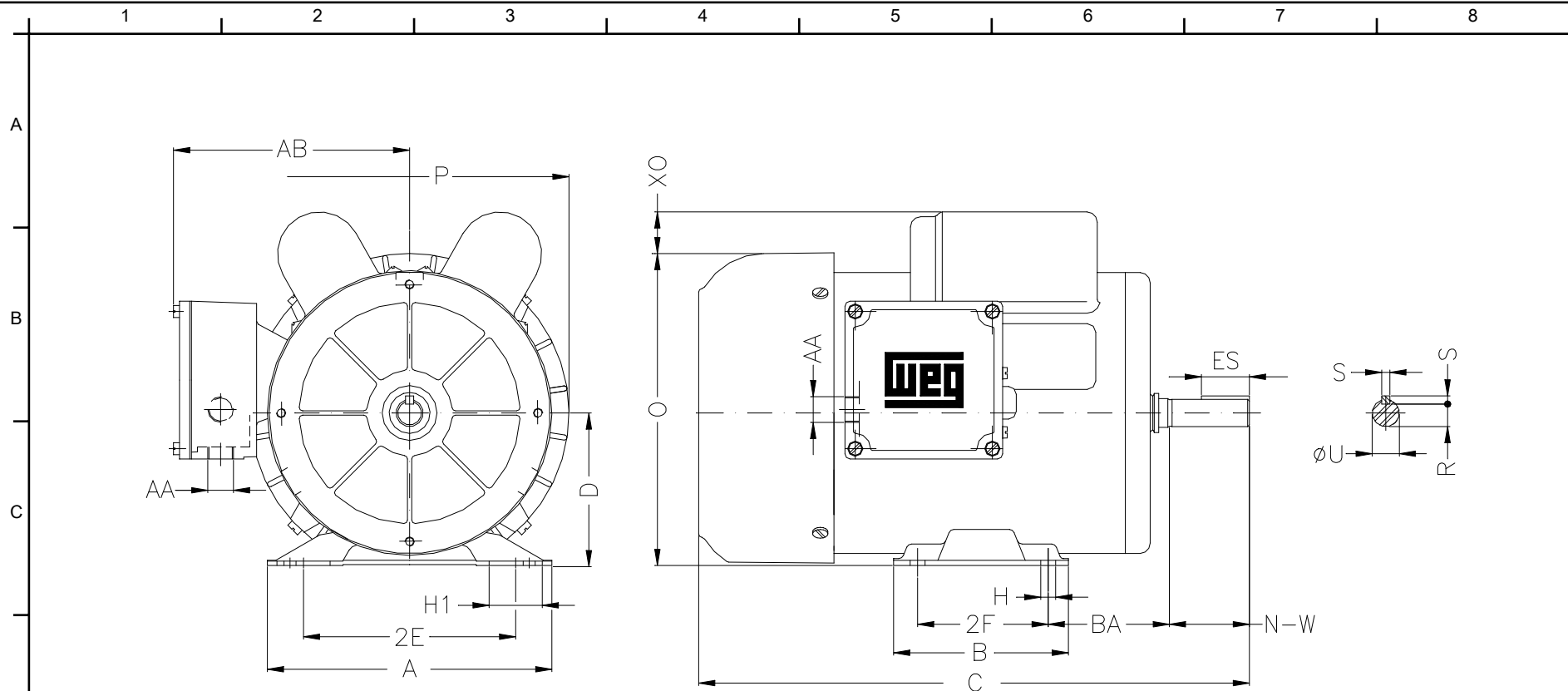
Customer :
 Product line : Farm Duty Motors : TEFC (IP55) - Single-Phase

| | |
|-----------------------------|--|
| Frame : G145T | Locked rotor current (I _L /I _n) : 6.9 |
| Output : 2 HP | Duty cycle : S1 |
| Frequency : 60 Hz | Service factor : 1.15 |
| Full load speed : 1750 rpm | Design : --- |
| Voltage : 115/230 V | Locked rotor torque : 280 % |
| Rated current : 21.0/10.5 A | Breakdown torque : 250 % |
| Insulation class : B | |

Notes:
 Downloaded from <http://dealerselectric.com>
 Generated for Model #00218ES1RFD145T

Performed by

Checked



Notes: Downloaded from <http://dealerselectric.com>
 Generated for Model #00218ES1RFD145T

Performed by:

Checked:

Customer:

Farm Duty Motors : TEFC (IP55) - Single-Phase

| | | | | |
|-------------|------------|-------------|------------|------------|
| 2E 4.874 | H 0.342 | BA 2.250 | A 6.535 | D 3.500 |
| J 1.220 | K 4.000 | O 7.165 | P 7.323 | |

Single-phase induction motor
 Frame G145T - IP55

12-SEP-2016

