



Dealers Industrial Equipment

No.:

Date: 12-SEP-2016

Customer :

TECHNICAL PROPOSAL

Single-phase induction motor - Squirrel cage rotor

Product line : Single-Phase : W21 TEFC (IP55)

Catalog Number : 00218ES1E145T

List Price : \$615

Notes:

Downloaded from <http://dealerselectric.com>

Generated for Model #00218ES1E145T

Performed by:

Checked:



Dealers Industrial Equipment

No.:

Date: 12-SEP-2016

DATA SHEET Single-phase induction motor - Squirrel cage rotor

Customer :
Product line : Single-Phase : W21 TEFC (IP55)

Frame : G145T
Output : 2 HP
Frequency : 60 Hz
Poles : 4
Full load speed : 1740 rpm
Slip : 3.33 %
Voltage : 208-230/460 V
Rated current : 9.50/4.75 A
Locked rotor current : 68.4/34.2 A
Locked rotor current (I_L/I_n) : 7.2
No-load current : 4.80/2.40 A
Full load torque : 5.96 lb.ft
Locked rotor torque : 230 %
Breakdown torque : 230 %
Design : ---
Insulation class : F
Temperature rise : 80 K
Locked rotor time : 6 s (hot)
Service factor : 1.15
Duty cycle : S1
Ambient temperature : -20°C - +40°C
Altitude : 1000 m
Degree of Protection : IP55
Approximate weight : 51 lb
Moment of inertia : 0.19933 sq.ft.lb
Noise level : 55 dB(A)

	D.E.	N.D.E.
Bearings	6205 ZZ	6203 ZZ
Regreasing interval	---	---
Grease amount	---	---

Load	Power factor	Efficiency (%)
100%	0.90	76.0
75%	0.85	74.0
50%	0.75	69.0

Notes:
Downloaded from <http://dealerselectric.com>
Generated for Model #00218ES1E145T

Performed by

Checked



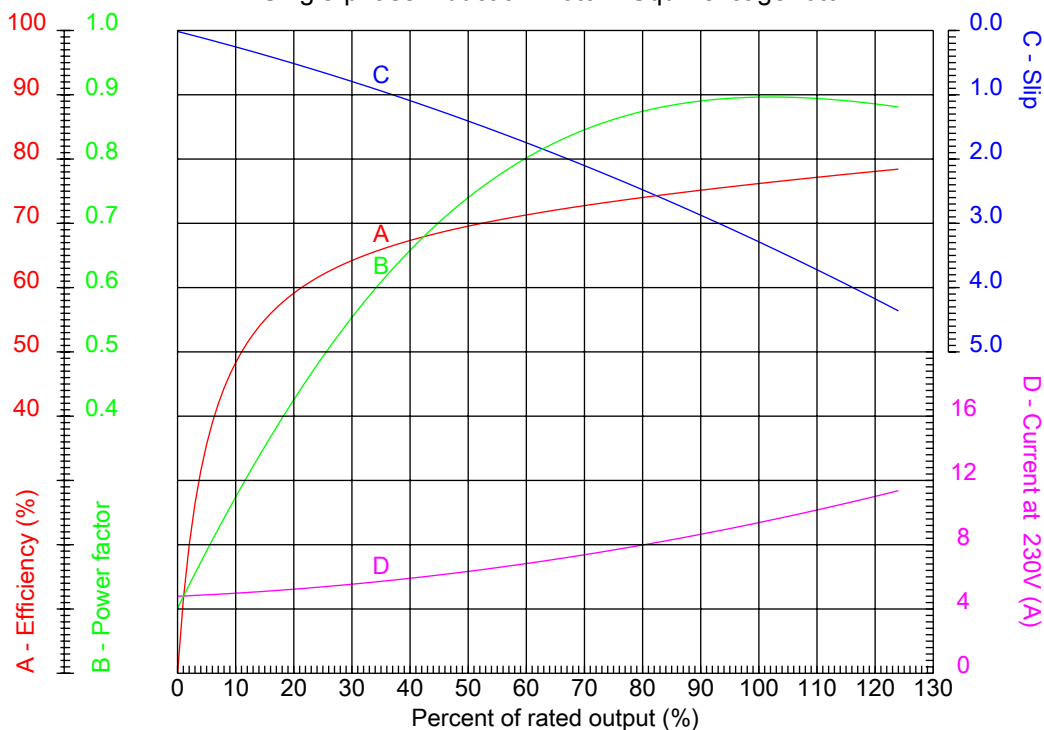
Dealers Industrial Equipment

No.:

Date: 12-SEP-2016

PERFORMANCE CURVES RELATED TO RATED OUTPUT

Single-phase induction motor - Squirrel cage rotor



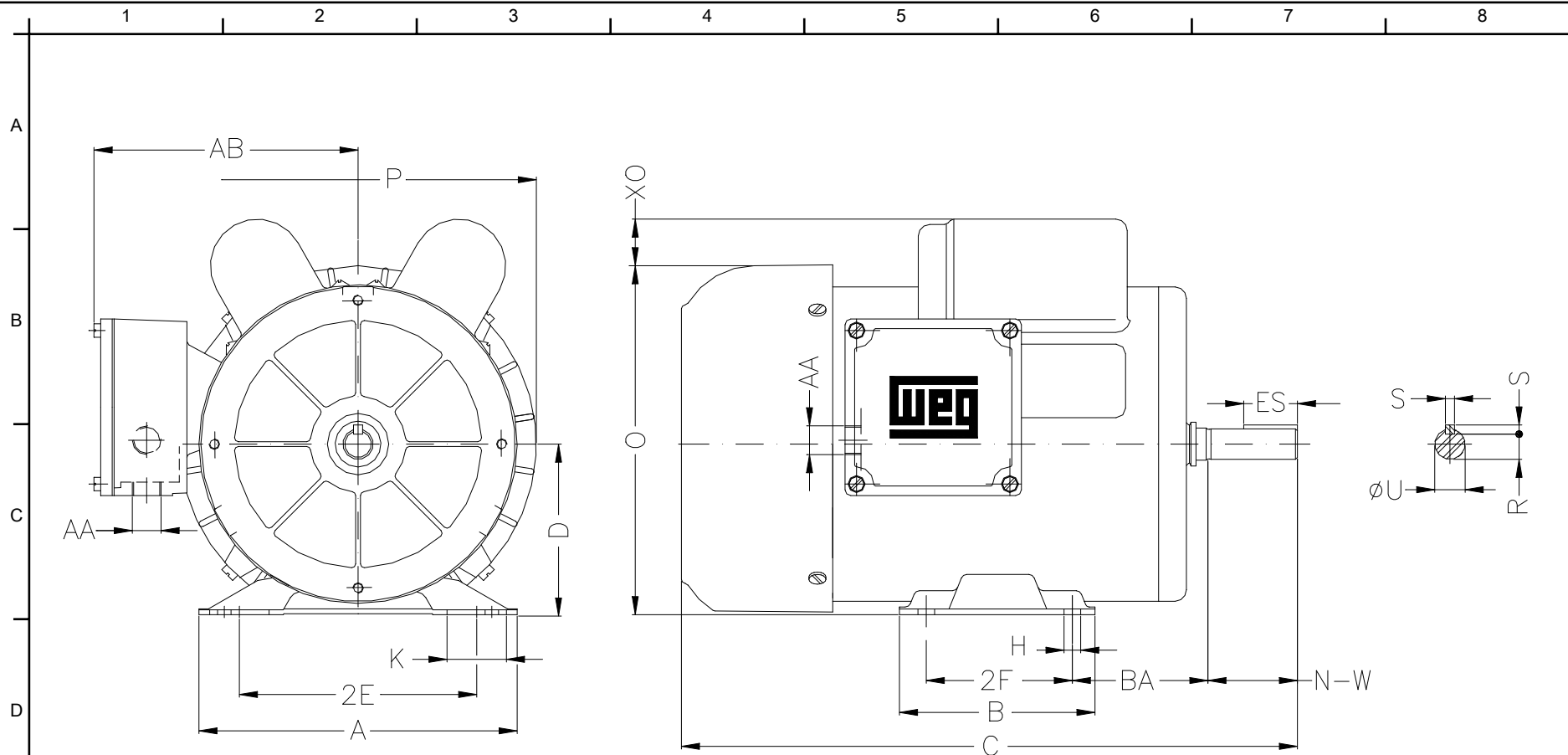
Customer :
 Product line : Single-Phase : W21 TEFC (IP55)

Frame : G145T	Locked rotor current (I _l /I _n) : 7.2
Output : 2 HP	Duty cycle : S1
Frequency : 60 Hz	Service factor : 1.15
Full load speed : 1740 rpm	Design : ---
Voltage : 208-230/460 V	Locked rotor torque : 230 %
Rated current : 9.50/4.75 A	Breakdown torque : 230 %
Insulation class : F	

Notes:
 Downloaded from <http://dealerselectric.com>
 Generated for Model #00218ES1E145T

Performed by

Checked



Notes: Downloaded from <http://dealerselectric.com>
 Generated for Model #00218ES1E145T

Performed by:

Checked:

Customer:

Single-Phase : W21 TEFC (IP55)

2E 5.500	2F 4.016	H 0.343	BA 2.250	A 6.535
B 6.496	C 14.882	D 3.500	O 7.165	P 7.323
ES 1.417	S 0.187	N-W 2.250	U 0.875	R 0.766
AB 5.433	AA NPT 3/4	d1 A3.15		

Single-phase induction motor
 Frame G145T - IP55

12-SEP-2016

