



# Dealers Industrial Equipment

No.:

Date: 12-SEP-2016

Customer :

## TECHNICAL PROPOSAL

### Single-phase induction motor - Squirrel cage rotor

Product line : Single-Phase : NEMA 56 TEFC

Catalog Number : 00218ES1B145T

List Price : \$615

#### Notes:

Downloaded from <http://dealerselectric.com>

Generated for Model #00218ES1B145T

Performed by:

Checked:



# Dealers Industrial Equipment

No.:

Date: 12-SEP-2016

## DATA SHEET Single-phase induction motor - Squirrel cage rotor

Customer :  
Product line : Single-Phase : NEMA 56 TEFC

Frame : G143/5T  
Output : 2 HP  
Frequency : 60 Hz  
Poles : 4  
Full load speed : 1750 rpm  
Slip : 2.78 %  
Voltage : 115/208-230 V  
Rated current : 21.0/10.8-10.5 A  
Locked rotor current : 145/72.4 A  
Locked rotor current (I<sub>L</sub>/I<sub>n</sub>) : 6.9  
No-load current : 12.4/6.20 A  
Full load torque : 5.92 lb.ft  
Locked rotor torque : 280 %  
Breakdown torque : 250 %  
Design : ---  
Insulation class : B  
Temperature rise : 80 K  
Locked rotor time : 6 s (hot)  
Service factor : 1.15 (1.00 at 208V)  
Duty cycle : S1  
Ambient temperature : -20°C - +40°C  
Altitude : 1000 m  
Degree of Protection : IP55  
Approximate weight : 50 lb  
Moment of inertia : 0.21333 sq.ft.lb  
Noise level : ---

	D.E.	N.D.E.
Bearings	6205 ZZ	6203 ZZ
Regreasing interval	---	---
Grease amount	---	---

Load	Power factor	Efficiency (%)
100%	0.78	78.1
75%	0.71	78.0
50%	0.60	74.0

Notes:  
Downloaded from <http://dealerselectric.com>  
Generated for Model #00218ES1B145T

Performed by

Checked



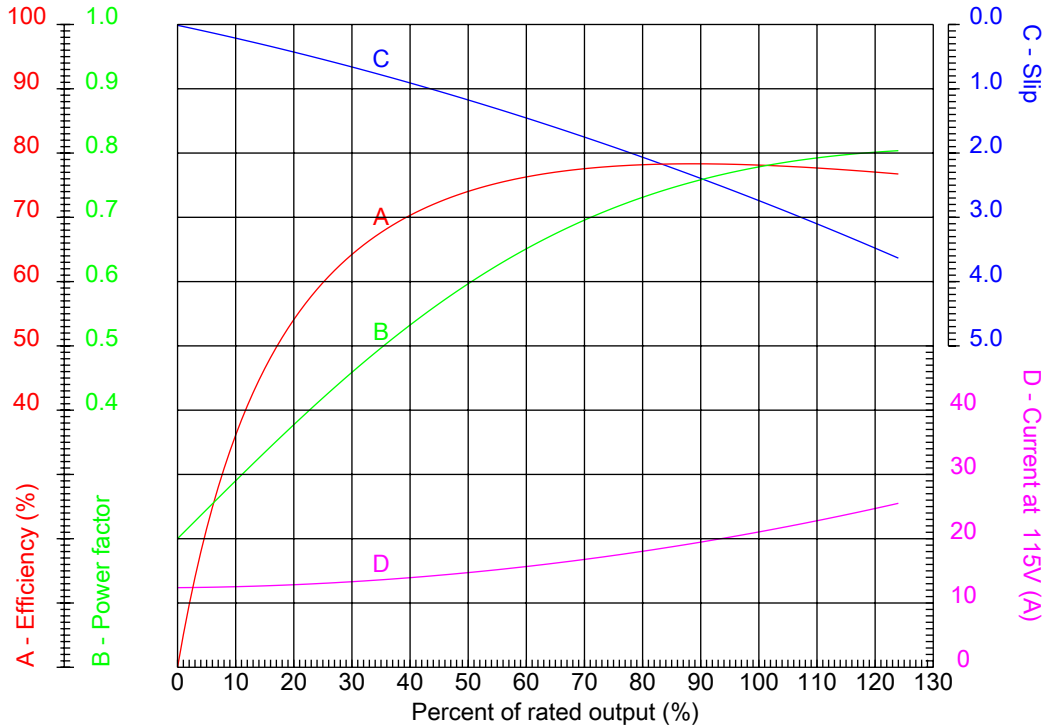
# Dealers Industrial Equipment

No.:

Date: 12-SEP-2016

## PERFORMANCE CURVES RELATED TO RATED OUTPUT

Single-phase induction motor - Squirrel cage rotor



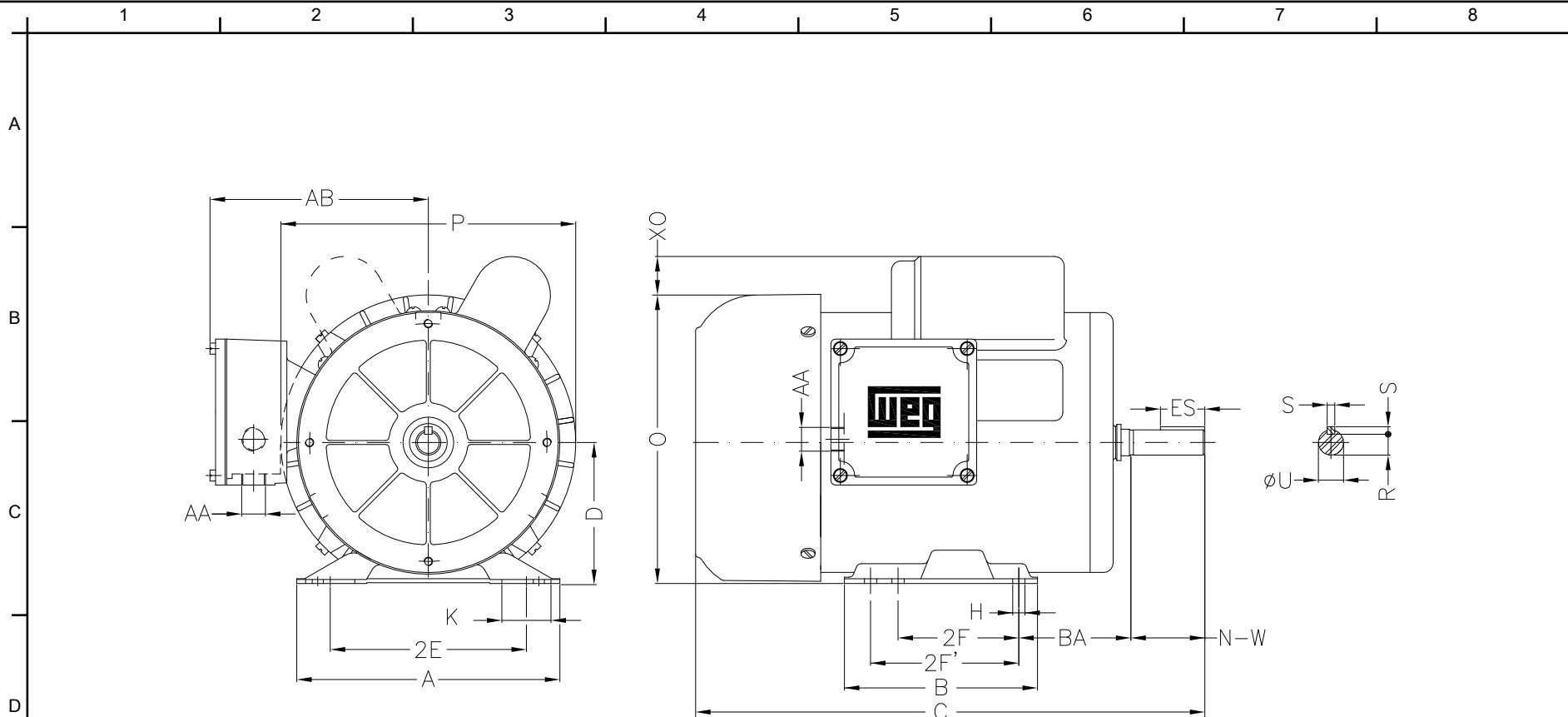
Customer :  
 Product line : Single-Phase : NEMA 56 TEFC

Frame : G143/5T	Locked rotor current (I <sub>l</sub> /I <sub>n</sub> ) : 6.9
Output : 2 HP	Duty cycle : S1
Frequency : 60 Hz	Service factor : 1.15 (1.00 at 208V)
Full load speed : 1750 rpm	Design : ---
Voltage : 115/208-230 V	Locked rotor torque : 280 %
Rated current : 21.0/10.8-10.5 A	Breakdown torque : 250 %
Insulation class : B	

Notes:  
 Downloaded from <http://dealerselectric.com>  
 Generated for Model #00218ES1B145T

Performed by

Checked



Notes: Downloaded from <http://dealerselectric.com>  
 Generated for Model #00218ES1B145T

Performed by:

Checked:

Customer:

Single-Phase : NEMA 56 TEFC

Single-phase induction motor  
 Frame G143/5T - IP55

12-SEP-2016



2E 5.500	H 0.342	A 6.535	2F 4.000/5.000	B 6.496
G 3.04	BA 2.250	J 1.220	K 5.000	P 7.323
ES 1.417	S 0.187	depth 0.187	N-W 2.250	U 0.8750
R 0.766	AB 5.433	d1 A 3,15	D 3.500	O 7.165
T 1.063	C 14.882	AA NPT 3/4"		