



Dealers Industrial Equipment

No.:

Date: 12-SEP-2016

Customer :

TECHNICAL PROPOSAL

Three-phase induction motor - Squirrel cage rotor

Product line : Close Coupled Pump: Three-Phase - W22 "JM" Type - TEFC - High Efficiency

Catalog Number : 00218EP3H145JM-W22

List Price : \$>(discontinued)</span>

Notes:

Downloaded from <http://dealerselectric.com>

Generated for Model #00218EP3H145JM-W22

Performed by:

Checked:



# Dealers Industrial Equipment

No.:

Date: 12-SEP-2016

## DATA SHEET Three-phase induction motor - Squirrel cage rotor

Customer :  
 Product line : Close Coupled Pump: Three-Phase - W22 "JM" Type - TEFC - High Efficiency

Frame : 143/5JM  
 Output : 2 HP  
 Frequency : 60 Hz  
 Poles : 4  
 Full load speed : 1745 rpm  
 Slip : 3.06 %  
 Voltage : 575 V  
 Rated current : 2.39 A  
 Locked rotor current : 16.7 A  
 Locked rotor current (I<sub>L</sub>/I<sub>n</sub>) : 7.0  
 No-load current : 1.41 A  
 Full load torque : 5.94 lb.ft  
 Locked rotor torque : 240 %  
 Breakdown torque : 280 %  
 Design : B  
 Insulation class : F  
 Temperature rise : 80 K  
 Locked rotor time : 11 s (hot)  
 Service factor : 1.25  
 Duty cycle : S1  
 Ambient temperature : -20°C - +40°C  
 Altitude : 1000 m  
 Degree of Protection : IP55  
 Approximate weight : 43 lb  
 Moment of inertia : 0.12957 sq.ft.lb  
 Noise level : 51 dB(A)

	D.E.	N.D.E.
Bearings	6206 ZZ	6204 ZZ
Regreasing interval	---	---
Grease amount	---	---

Load	Power factor	Efficiency (%)
100%	0.75	84.0
75%	0.66	84.0
50%	0.54	82.5

Notes:  
 Downloaded from <http://dealerselectric.com>  
 Generated for Model #00218EP3H145JM-W22

Performed by

Checked



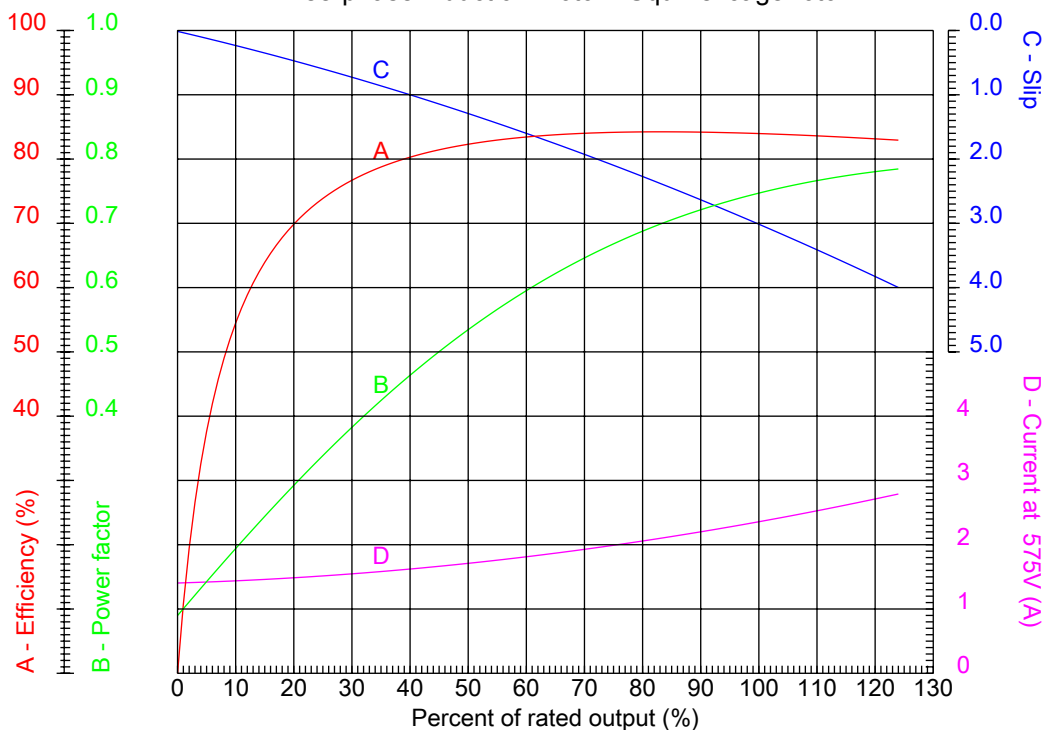
# Dealers Industrial Equipment

No.:

Date: 12-SEP-2016

## PERFORMANCE CURVES RELATED TO RATED OUTPUT

Three-phase induction motor - Squirrel cage rotor



Customer :  
 Product line : Close Coupled Pump: Three-Phase - W22 "JM" Type - TEFC - High Efficiency

Frame	: 143/5JM	Locked rotor current (I <sub>l</sub> /I <sub>n</sub> )	: 7.0
Output	: 2 HP	Duty cycle	: S1
Frequency	: 60 Hz	Service factor	: 1.25
Full load speed	: 1745 rpm	Design	: B
Voltage	: 575 V	Locked rotor torque	: 240 %
Rated current	: 2.39 A	Breakdown torque	: 280 %
Insulation class	: F		

Notes:  
 Downloaded from <http://dealerselectric.com>  
 Generated for Model #00218EP3H145JM-W22

Performed by

Checked



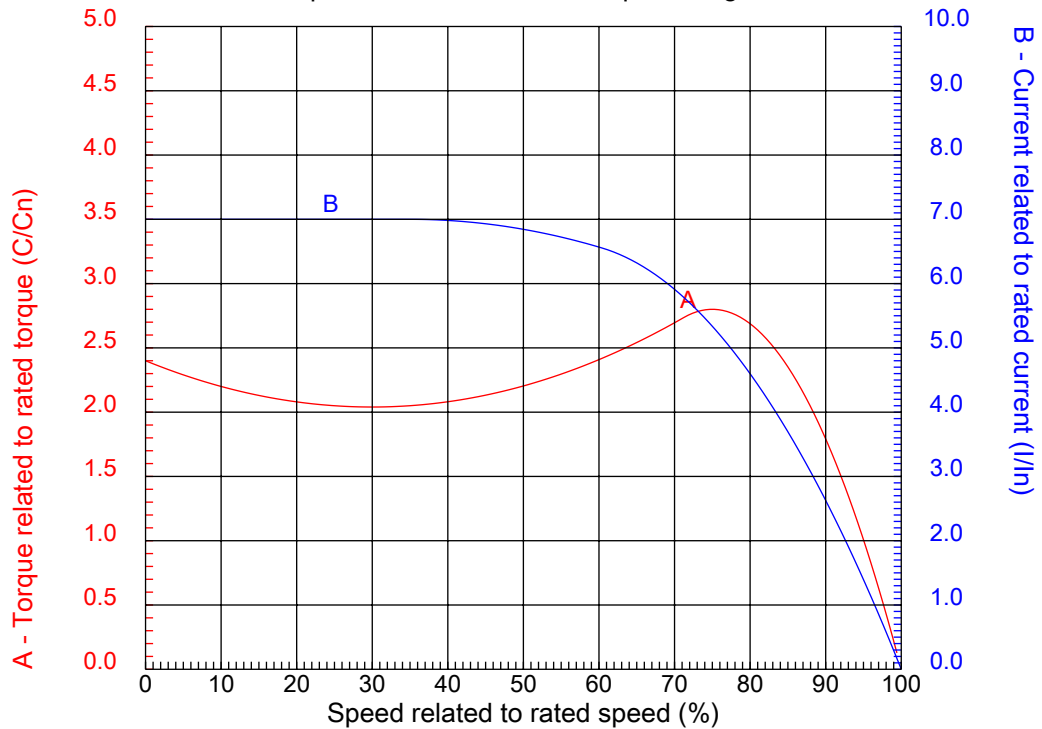
# Dealers Industrial Equipment

No.:

Date: 12-SEP-2016

## CHARACTERISTIC CURVES RELATED TO SPEED

Three-phase induction motor - Squirrel cage rotor



Customer :  
Product line : Close Coupled Pump: Three-Phase - W22 "JM" Type - TEFC - High Efficiency

Frame	: 143/5JM	Locked rotor current (I <sub>l</sub> /I <sub>n</sub> )	: 7.0
Output	: 2 HP	Duty cycle	: S1
Frequency	: 60 Hz	Service factor	: 1.25
Full load speed	: 1745 rpm	Design	: B
Voltage	: 575 V	Locked rotor torque	: 240 %
Rated current	: 2.39 A	Breakdown torque	: 280 %
Insulation class	: F		

Notes:  
Downloaded from <http://dealerselectric.com>  
Generated for Model #00218EP3H145JM-W22

Performed by

Checked

1 2 3 4 5 6 7 8

A

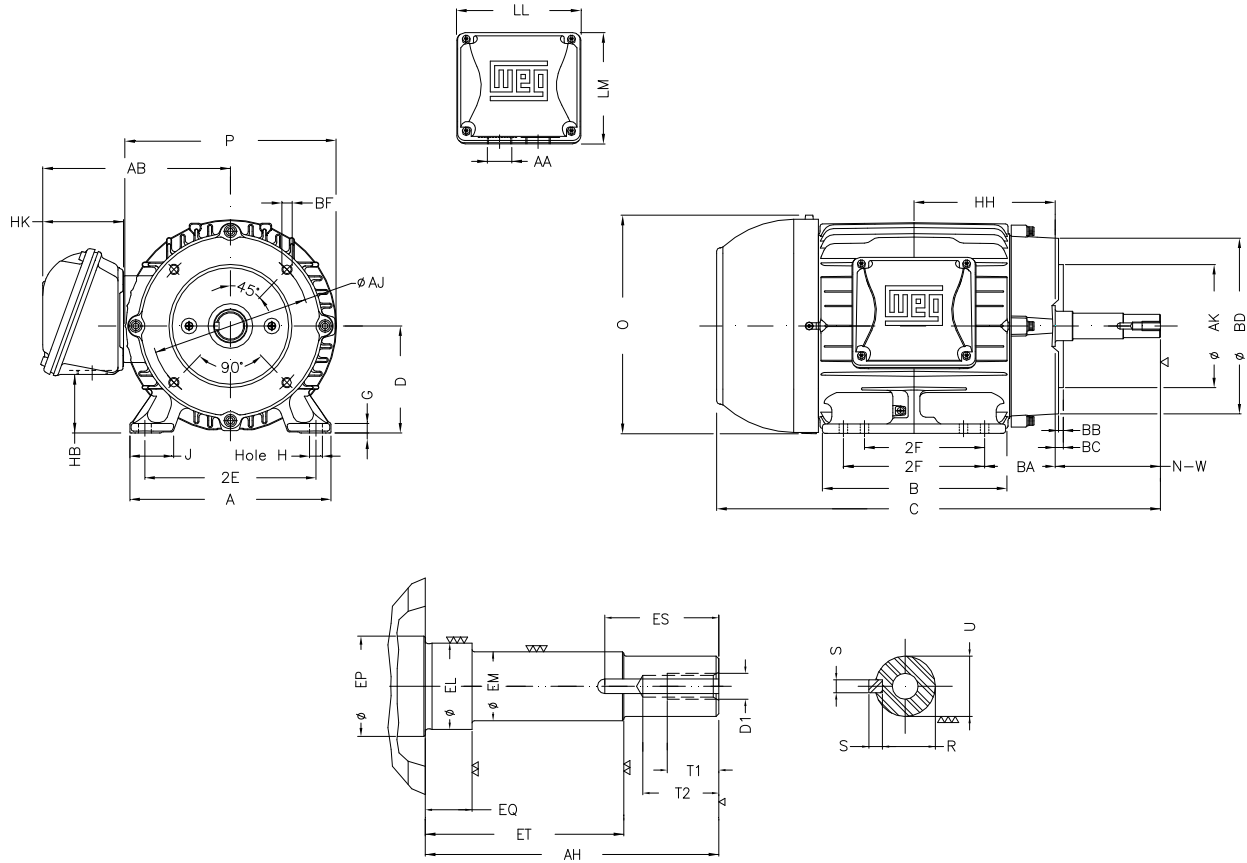
B

C

D

E

F



Notes: Downloaded from <http://dealerselectric.com>  
Generated for Model #00218EP3H145JM-W22

Performed by:

Checked:

Customer:

Close Coupled Pump: Three-Phase - W22 "JM" Type - TEFC - High Efficiency

Three-phase induction motor  
Frame 143/5JM - IP55

12-SEP-2016



2E	J	A	P	AB
5.500	1.437	6.457	7.047	6.260
2F	B	BA	D	G
4.000/5.000	6.142	2.560	3.500	0.354
O	H	AA	EQ	ET
7.122	0.344	NPT 3/4"	0.630	2.880
U	EM	EL	EP	ES
0.874	1.000	1.156	1.179	1.654
t1	t2	C	d1	HH
0.748	1.102	15.675	EUNC 3/8"-16	4.750
HK	HB	LL	LM	S
2.638	1.787	4.528	4.094	0.187
R	Flange	AJ	AK	BD
0.767	FC-149	5.874	4.500	6.496
BF	BB	AH		
UNC 3/8"x16	0.157	4.258		

1 2 3 4 5 6 7 8

A  
B  
C  
D  
E  
F

### RUN

### ONLY FOR START



Notes: Downloaded from <a href="http://dealerselectric.com">http://dealerselectric.com</a> Generated for Model #00218EP3H145JM-W22		
Performed by:		
Checked:		
Customer:		
Close Coupled Pump: Three-Phase - W22 "JM" Type - TEFC - High Efficiency		
Three-phase induction motor Frame 143/5JM - IP55	12-SEP-2016	