



Dealers Industrial Equipment

No.:

Date: 12-SEP-2016

Customer :

TECHNICAL PROPOSAL

Three-phase induction motor - Squirrel cage rotor

Product line : W22 Super Premium

Catalog Number : 00218EG3EL145T-W22

List Price : \$673

Notes:

Downloaded from <http://dealerselectric.com>

Generated for Model #00218EG3EL145T-W22

Performed by:

Checked:



Dealers Industrial Equipment

No.:

Date: 12-SEP-2016

DATA SHEET Three-phase induction motor - Squirrel cage rotor

Customer :
Product line : W22 Super Premium

Frame : L143/5T
 Output : 2 HP
 Frequency : 60 Hz
 Poles : 4
 Full load speed : 1760 rpm
 Slip : 2.22 %
 Voltage : 208-230/460 V
 Rated current : 5.26/2.63 A
 Locked rotor current : 45.2/22.6 A
 Locked rotor current (I_L/I_n) : 8.6
 No-load current : 3.08/1.54 A
 Full load torque : 5.89 lb.ft
 Locked rotor torque : 290 %
 Breakdown torque : 360 %
 Design : A
 Insulation class : F
 Temperature rise : 80 K
 Locked rotor time : 14 s (hot)
 Service factor : 1.25 (1.00 at 208V)
 Duty cycle : S1
 Ambient temperature : -20°C - +40°C
 Altitude : 1000 m
 Degree of Protection : IP55
 Approximate weight : 57 lb
 Moment of inertia : 0.18153 sq.ft.lb
 Noise level : 51 dB(A)

	D.E.	N.D.E.	Load	Power factor	Efficiency (%)
Bearings	6205 ZZ	6204 ZZ	100%	0.81	88.5
Regreasing interval	---	---	75%	0.74	87.5
Grease amount	---	---	50%	0.61	86.5

Notes:
 Downloaded from <http://dealerselectric.com>
 Generated for Model #00218EG3EL145T-W22

Performed by

Checked



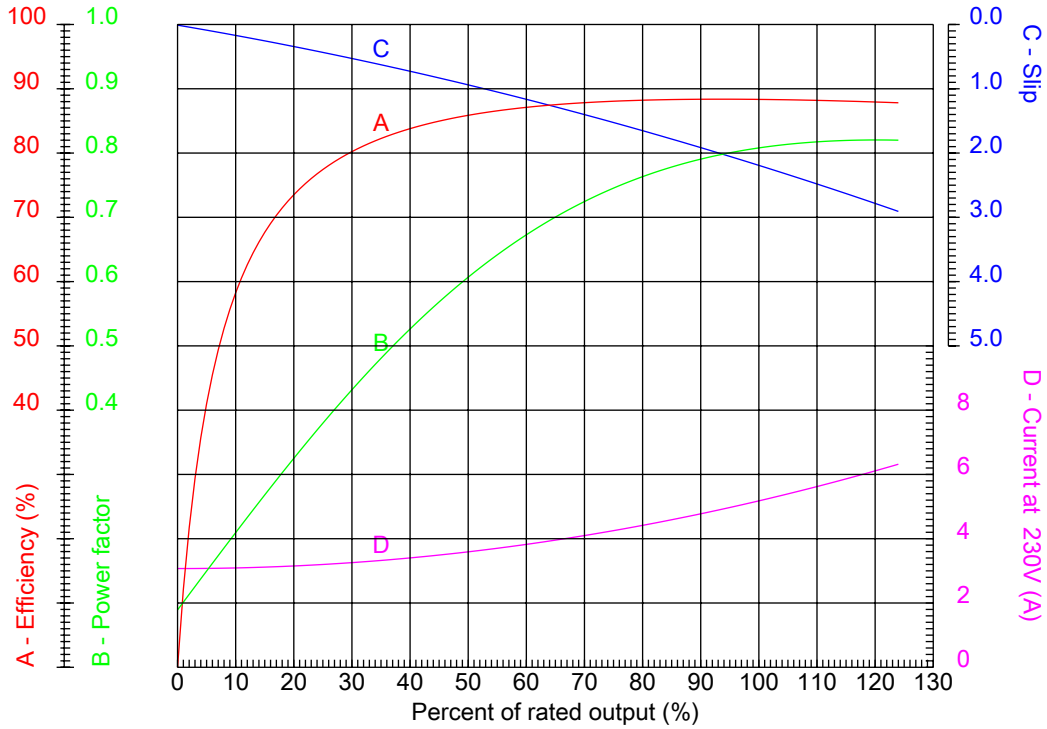
Dealers Industrial Equipment

No.:

Date: 12-SEP-2016

PERFORMANCE CURVES RELATED TO RATED OUTPUT

Three-phase induction motor - Squirrel cage rotor



Customer :
 Product line : W22 Super Premium

Frame : L143/5T	Locked rotor current (I _l /I _n) : 8.6
Output : 2 HP	Duty cycle : S1
Frequency : 60 Hz	Service factor : 1.25 (1.00 at 208V)
Full load speed : 1760 rpm	Design : A
Voltage : 208-230/460 V	Locked rotor torque : 290 %
Rated current : 5.26/2.63 A	Breakdown torque : 360 %
Insulation class : F	

Notes:
 Downloaded from <http://dealerselectric.com>
 Generated for Model #00218EG3EL145T-W22

Performed by

Checked



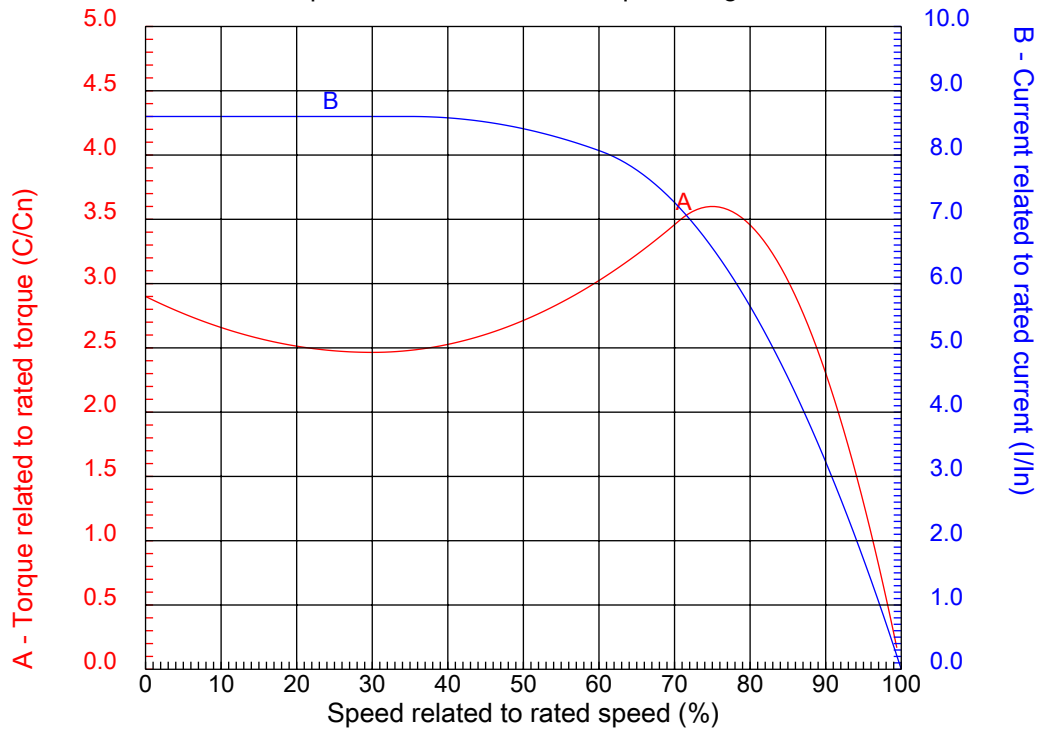
Dealers Industrial Equipment

No.:

Date: 12-SEP-2016

CHARACTERISTIC CURVES RELATED TO SPEED

Three-phase induction motor - Squirrel cage rotor



Customer :
Product line : W22 Super Premium

Frame	: L143/5T	Locked rotor current (I/I _n)	: 8.6
Output	: 2 HP	Duty cycle	: S1
Frequency	: 60 Hz	Service factor	: 1.25 (1.00 at 208V)
Full load speed	: 1760 rpm	Design	: A
Voltage	: 208-230/460 V	Locked rotor torque	: 290 %
Rated current	: 5.26/2.63 A	Breakdown torque	: 360 %
Insulation class	: F		

Notes:
Downloaded from <http://dealerselectric.com>
Generated for Model #00218EG3EL145T-W22

Performed by

Checked

1 2 3 4 5 6 7 8

A

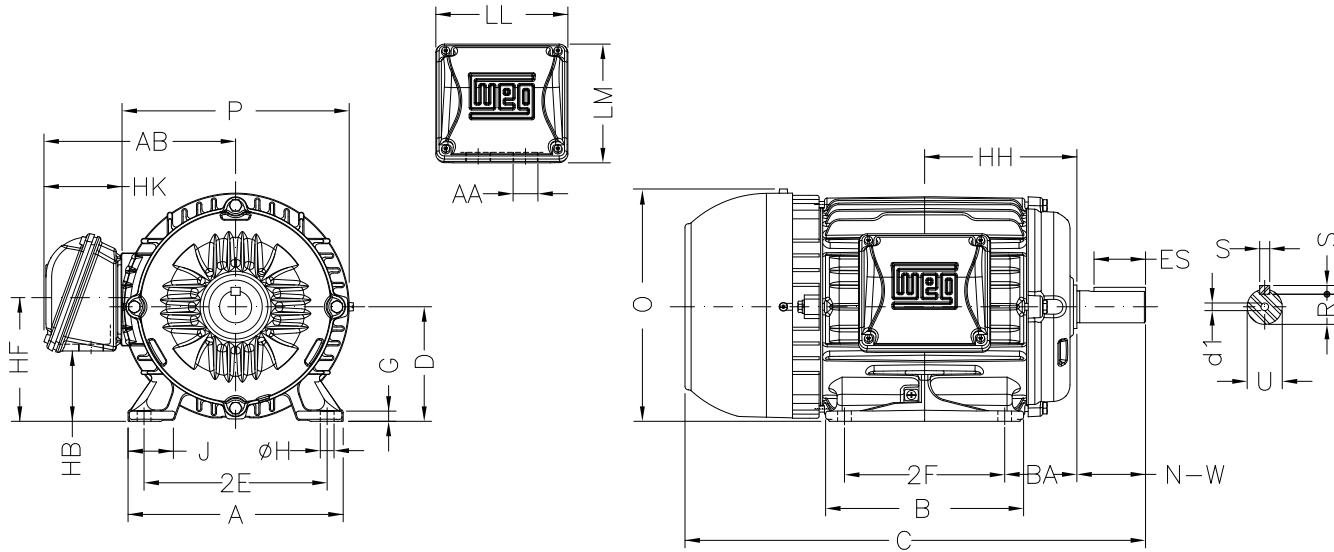
B

C

D

E

F



Notes: Downloaded from <http://dealerselectric.com>
Generated for Model #00218EG3EL145T-W22

Performed by:

Checked:

Customer:

W22 Super Premium

Three-phase induction motor

Frame L143/5T - IP55

12-SEP-2016



2E	J	A	P	AB
5.500	1.437	6.457	7.047	6.260
2F	B	BA	FBA	U
4.000/5.000	6.142	2.250	4.082	0.875
N-W	ES	S	R	depth
2.250	1.575	0.187	0.771	0.187
D	G	HB	O	HF
3.500	0.354	1.787	7.122	3.500
HH	HK	H	LL	LM
4.750	2.638	0.344	4.528	4.094
AA	d1			
NPT 3/4"	A 3.15			

1 2 3 4 5 6 7 8

A
B
C
D
E
F

LOW VOLTAGE

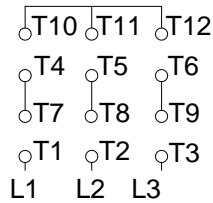
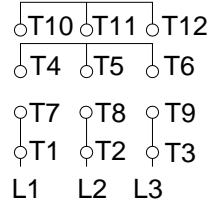
HIGH VOLTAGE



CONNECTIONS FOR STARTING ONLY:

LOW VOLTAGE

HIGH VOLTAGE



Notes: Downloaded from <http://dealerselectric.com>
Generated for Model #00218EG3EL145T-W22

Performed by:

Checked:

Customer:

W22 Super Premium

Three-phase induction motor
Frame L143/5T - IP55

12-SEP-2016

