



Dealers Industrial Equipment

No.:

Date: 12-SEP-2016

Customer :

TECHNICAL PROPOSAL

Three-phase induction motor - Squirrel cage rotor

Product line : Three Phase: W01 (Rolled Steel) - ODP - NEMA Premium Efficiency

Catalog Number : 00212OT3E184T-S

List Price : \$597

Notes:

Downloaded from <http://dealerselectric.com>

Generated for Model #00212OT3E184T-S

Performed by:

Checked:



Dealers Industrial Equipment

No.:

Date: 12-SEP-2016

DATA SHEET Three-phase induction motor - Squirrel cage rotor

Customer :
 Product line : Three Phase: W01 (Rolled Steel) - ODP - NEMA Premium Efficiency

Frame : 182/4T
 Output : 2 HP
 Frequency : 60 Hz
 Poles : 6
 Full load speed : 1165 rpm
 Slip : 2.92 %
 Voltage : 208-230/460 V
 Rated current : 6.52-5.90/2.95 A
 Locked rotor current : 38.9/19.5 A
 Locked rotor current (I_L/I_n) : 6.6
 No-load current : 3.42/1.71 A
 Full load torque : 8.89 lb.ft
 Locked rotor torque : 200 %
 Breakdown torque : 300 %
 Design : B
 Insulation class : F
 Temperature rise : 80 K
 Locked rotor time : 33 s (hot)
 Service factor : 1.15
 Duty cycle : S1
 Ambient temperature : -20°C - +40°C
 Altitude : 1000 m
 Degree of Protection : ODP
 Approximate weight : 66 lb
 Moment of inertia : 0.28001 sq.ft.lb
 Noise level : 52 dB(A)

	D.E.	N.D.E.
Bearings	6206 ZZ	6205 ZZ
Regreasing interval	---	---
Grease amount	---	---

Load	Power factor	Efficiency (%)
100%	0.73	87.5
75%	0.66	86.5
50%	0.53	85.5

Notes:
 Downloaded from <http://dealerselectric.com>
 Generated for Model #00212OT3E184T-S

Performed by

Checked



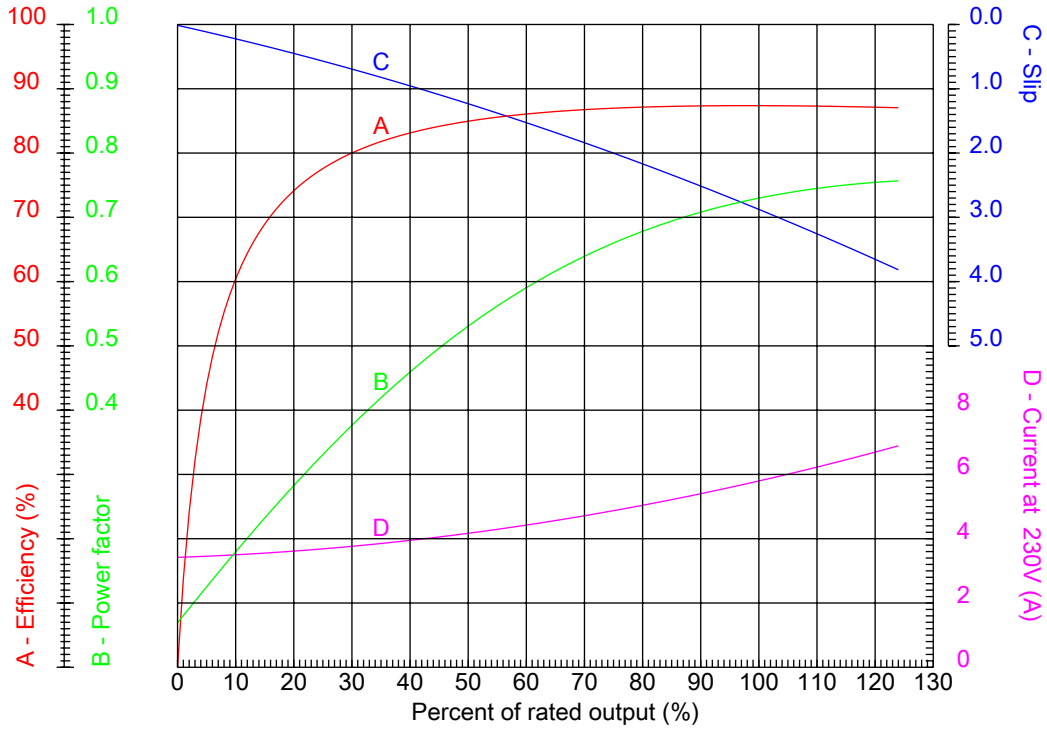
Dealers Industrial Equipment

No.:

Date: 12-SEP-2016

PERFORMANCE CURVES RELATED TO RATED OUTPUT

Three-phase induction motor - Squirrel cage rotor



Customer :
 Product line : Three Phase: W01 (Rolled Steel) - ODP - NEMA Premium Efficiency

Frame	: 182/4T	Locked rotor current (I _L /I _n)	: 6.6
Output	: 2 HP	Duty cycle	: S1
Frequency	: 60 Hz	Service factor	: 1.15
Full load speed	: 1165 rpm	Design	: B
Voltage	: 208-230/460 V	Locked rotor torque	: 200 %
Rated current	: 6.52-5.90/2.95 A	Breakdown torque	: 300 %
Insulation class	: F		

Notes:
 Downloaded from <http://dealerselectric.com>
 Generated for Model #00212OT3E184T-S

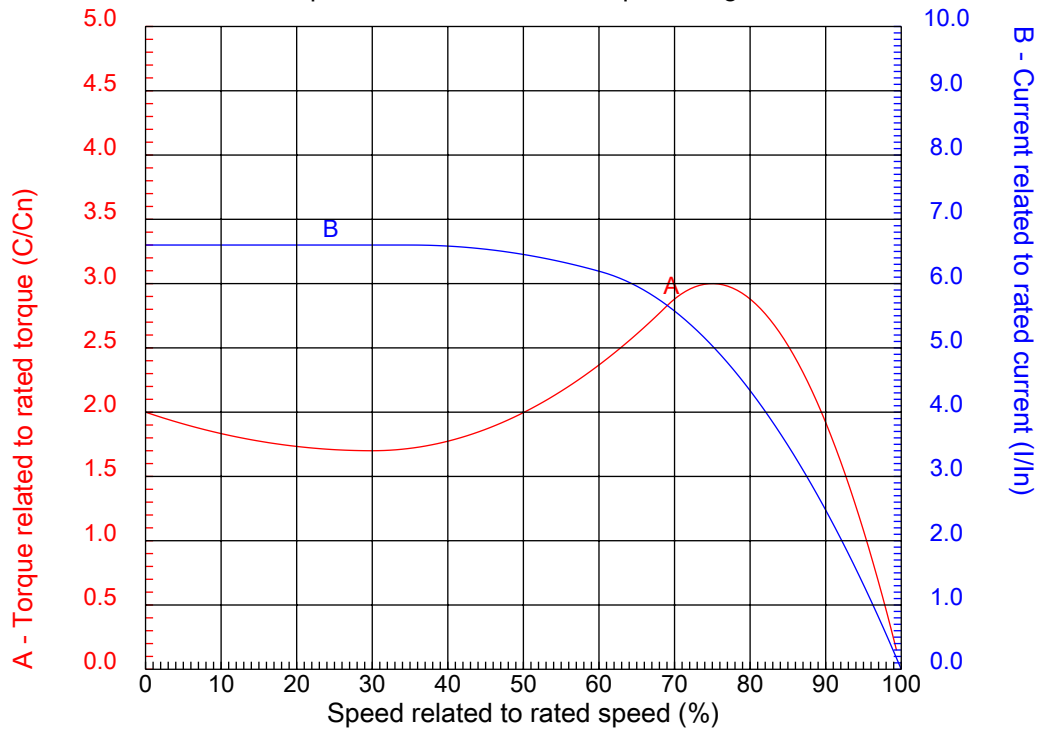
Performed by

Checked



CHARACTERISTIC CURVES RELATED TO SPEED

Three-phase induction motor - Squirrel cage rotor



Customer :
Product line : Three Phase: W01 (Rolled Steel) - ODP - NEMA Premium Efficiency

Frame	: 182/4T	Locked rotor current (I _l /I _n)	: 6.6
Output	: 2 HP	Duty cycle	: S1
Frequency	: 60 Hz	Service factor	: 1.15
Full load speed	: 1165 rpm	Design	: B
Voltage	: 208-230/460 V	Locked rotor torque	: 200 %
Rated current	: 6.52-5.90/2.95 A	Breakdown torque	: 300 %
Insulation class	: F		

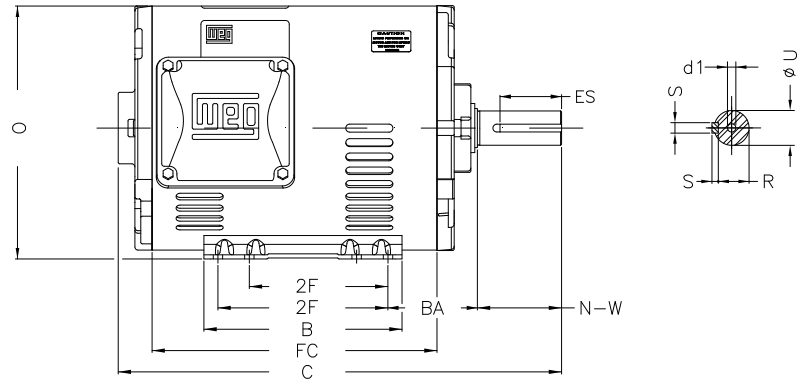
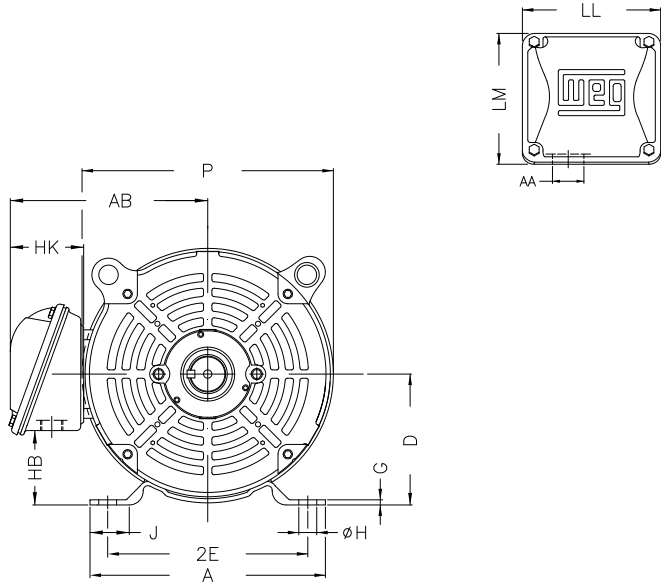
Notes:
Downloaded from <http://dealerselectric.com>
Generated for Model #00212OT3E184T-S

Performed by

Checked

1 2 3 4 5 6 7 8

A
B
C
D
E
F



Notes: Downloaded from <http://dealerselectric.com>
Generated for Model #002120T3E184T-S

Performed by:

Checked:

Customer:

Three Phase: W01 (Rolled Steel) - ODP - NEMA Premium Efficiency

Three-phase induction motor
Frame 182/4T - ODP

12-SEP-2016



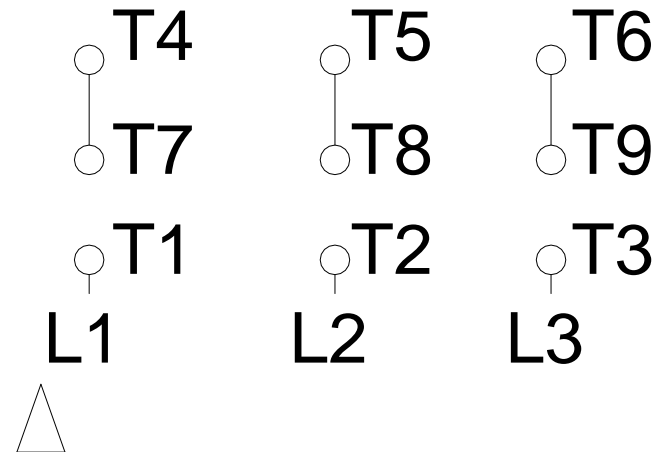
P	AB	J	2E	A
8.114	6.696	1.299	7.500	8.661
H	G	HB	HK	O
0.406	0.167	2.784	2.629	8.557
FC	2F	B	C	BA
8.661	4.500/5.500	6.299	14.764	2.750
N-W	ES	d1	S	U
2.750	1.969	A 3,15	0.250	1.125
AA	depth	R	LL	LM
1.118"	0.250	0.984	4.563	4.090
BB	D	CH		
0.000	4.500	1.377		

1 2 3 4 5 6 7 8

LOW VOLTAGE

HIGH VOLTAGE

A
B
C
D
E
F



Notes: Downloaded from http://dealerselectric.com Generated for Model #002120T3E184T-S		
Performed by:		
Checked:		
Customer:		
Three Phase: W01 (Rolled Steel) - ODP - NEMA Premium Efficiency		
Three-phase induction motor Frame 182/4T - IP21	12-SEP-2016	