



Dealers Industrial Equipment

No.:

Date: 12-SEP-2016

Customer :

TECHNICAL PROPOSAL

Three-phase induction motor - Squirrel cage rotor

Product line : Oil Well Pumping : High Slip - NEMA Design "D" - ODP

Catalog Number : 00212OS3EOW184T

List Price : \$793

Notes:

Downloaded from <http://dealerselectric.com>

Generated for Model #00212OS3EOW184T

Performed by:

Checked:



Dealers Industrial Equipment

No.:

Date: 12-SEP-2016

DATA SHEET Three-phase induction motor - Squirrel cage rotor

Customer :
 Product line : Oil Well Pumping : High Slip - NEMA Design "D" - ODP

Frame : 184T
 Output : 2 HP
 Frequency : 60 Hz
 Poles : 6
 Full load speed : 1125 rpm
 Slip : 6.25 %
 Voltage : 208-230/460 V
 Rated current : 7.43-6.72/3.36 A
 Locked rotor current : 39.6/19.8 A
 Locked rotor current (I_L/I_n) : 5.9
 No-load current : 3.80/1.90 A
 Full load torque : 9.21 lb.ft
 Locked rotor torque : 380 %
 Breakdown torque : 0 %
 Design : D
 Insulation class : F
 Temperature rise : 80 K
 Locked rotor time : 14 s (hot)
 Service factor : 1.00
 Duty cycle : S1
 Ambient temperature : -20°C - +40°C
 Altitude : 1000 m
 Degree of Protection : IP21
 Approximate weight : 70 lb
 Moment of inertia : 0.53226 sq.ft.lb
 Noise level : ---

	D.E.	N.D.E.
Bearings	6206 ZZ	6205 ZZ
Regreasing interval	---	---
Grease amount	---	---

Load	Power factor	Efficiency (%)
100%	0.69	81.3
75%	0.60	80.8
50%	0.48	75.0

Notes:
 Downloaded from <http://dealerselectric.com>
 Generated for Model #00212OS3EOW184T

Performed by

Checked



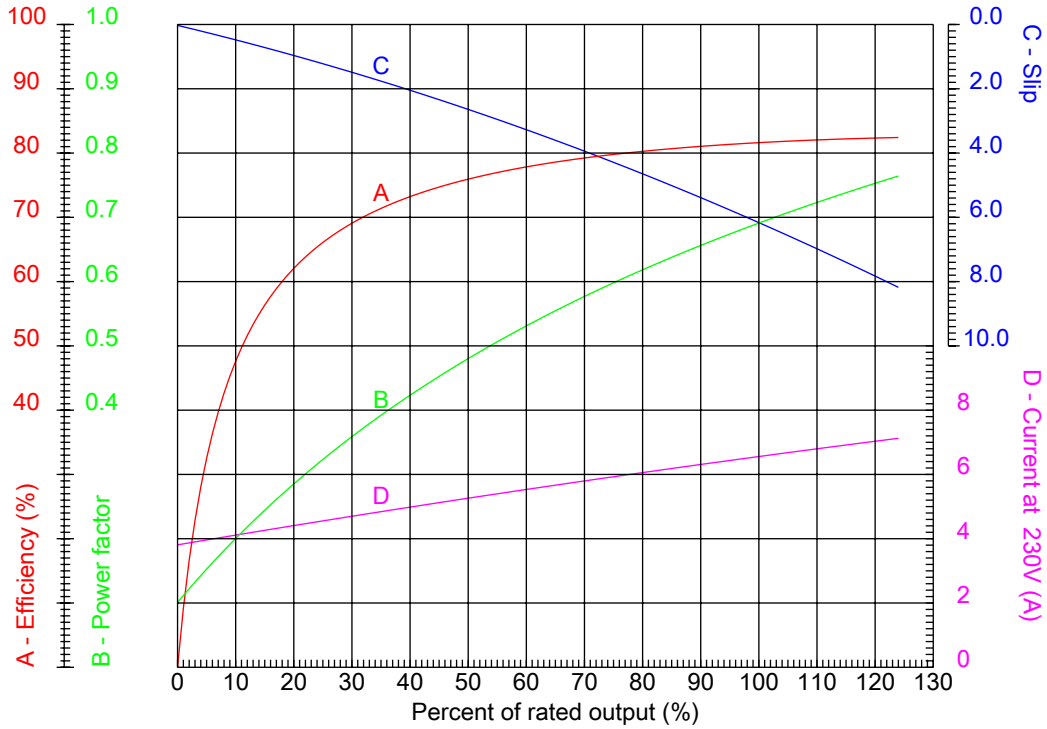
Dealers Industrial Equipment

No.:

Date: 12-SEP-2016

PERFORMANCE CURVES RELATED TO RATED OUTPUT

Three-phase induction motor - Squirrel cage rotor



Customer :
 Product line : Oil Well Pumping : High Slip - NEMA Design "D" - ODP

Frame : 184T	Locked rotor current (I _L /I _n) : 5.9
Output : 2 HP	Duty cycle : S1
Frequency : 60 Hz	Service factor : 1.00
Full load speed : 1125 rpm	Design : D
Voltage : 208-230/460 V	Locked rotor torque : 380 %
Rated current : 7.43-6.72/3.36 A	Breakdown torque : 0 %
Insulation class : F	

Notes:
 Downloaded from <http://dealerselectric.com>
 Generated for Model #00212OS3EOW184T

Performed by

Checked



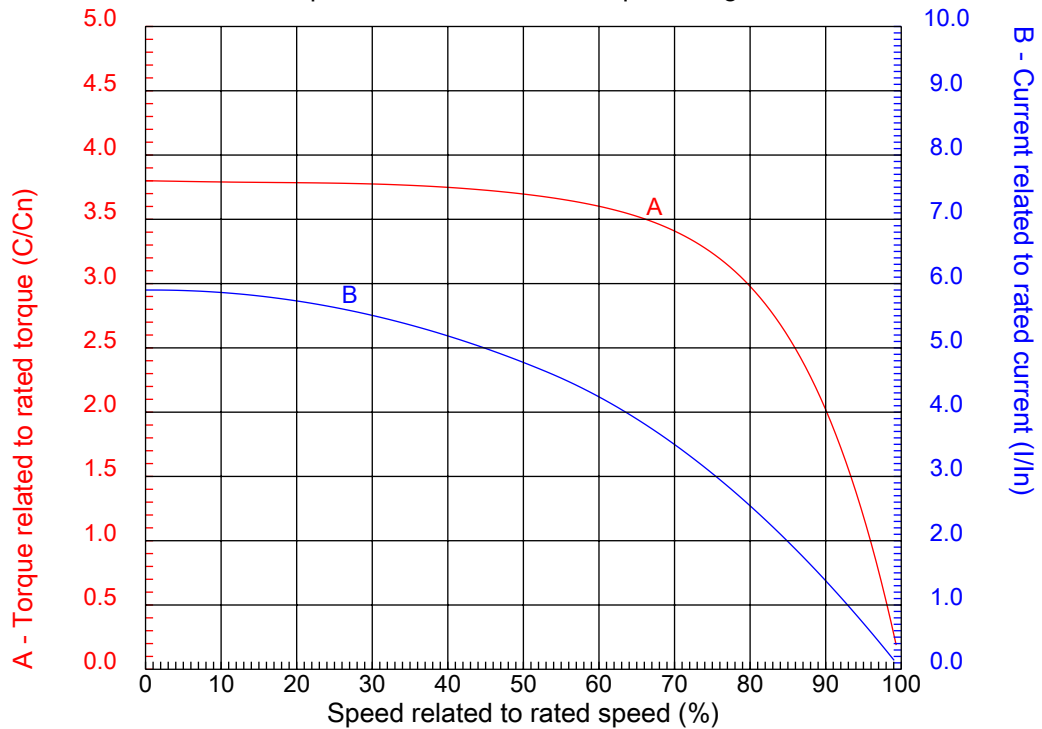
Dealers Industrial Equipment

No.:

Date: 12-SEP-2016

CHARACTERISTIC CURVES RELATED TO SPEED

Three-phase induction motor - Squirrel cage rotor



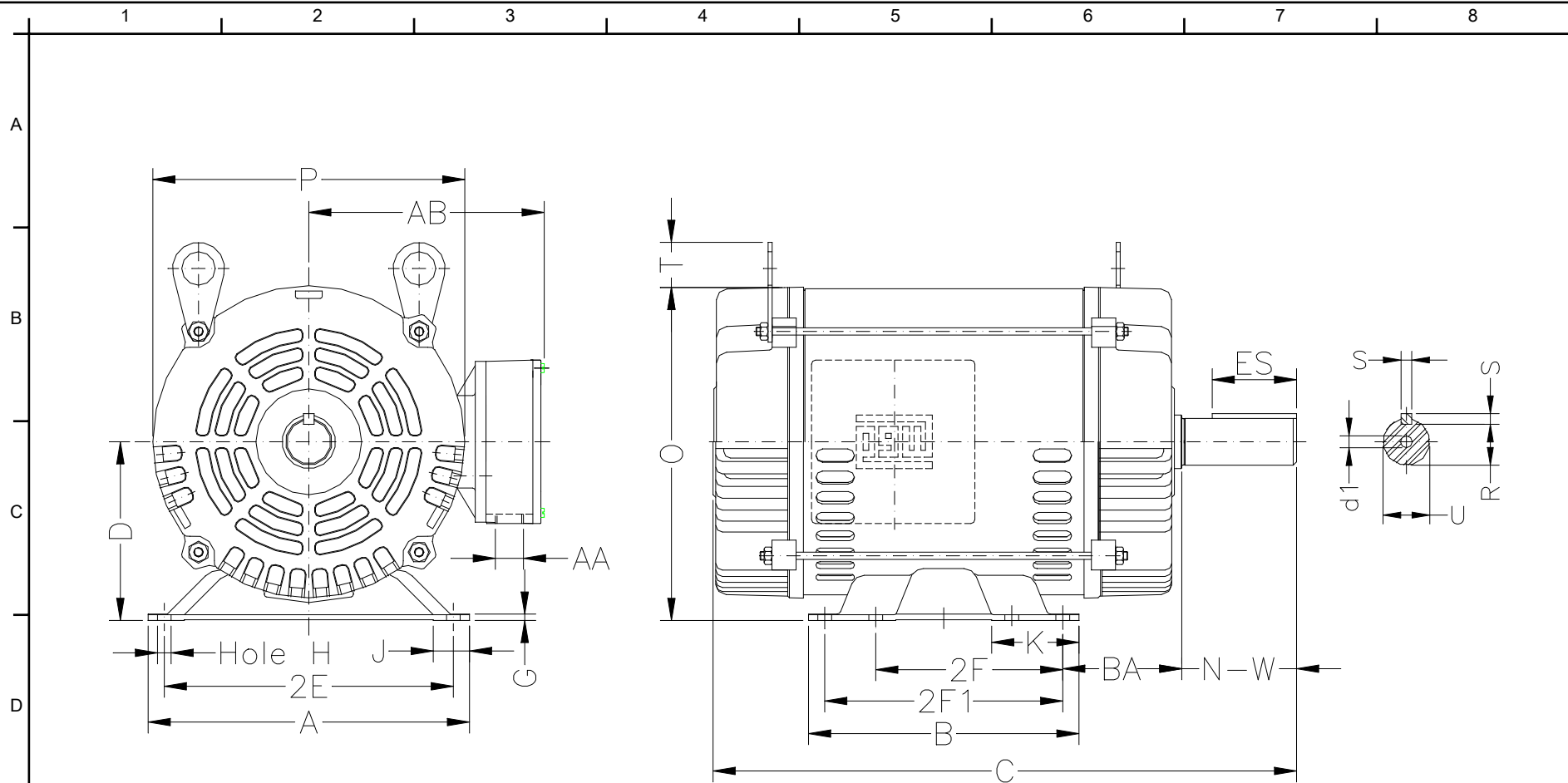
Customer :
Product line : Oil Well Pumping : High Slip - NEMA Design "D" - ODP

Frame	: 184T	Locked rotor current (I _l /I _n)	: 5.9
Output	: 2 HP	Duty cycle	: S1
Frequency	: 60 Hz	Service factor	: 1.00
Full load speed	: 1125 rpm	Design	: D
Voltage	: 208-230/460 V	Locked rotor torque	: 380 %
Rated current	: 7.43-6.72/3.36 A	Breakdown torque	: 323 %
Insulation class	: F		

Notes:
Downloaded from <http://dealerselectric.com>
Generated for Model #00212OS3EOW184T

Performed by

Checked



Notes: Downloaded from <http://dealerselectric.com>
 Generated for Model #00212OS3EOW184T

Performed by:

Checked:

Customer:

Oil Well Pumping : High Slip - NEMA Design "D" - ODP

Three-phase induction motor
 Frame 184T - IP21

12-SEP-2016



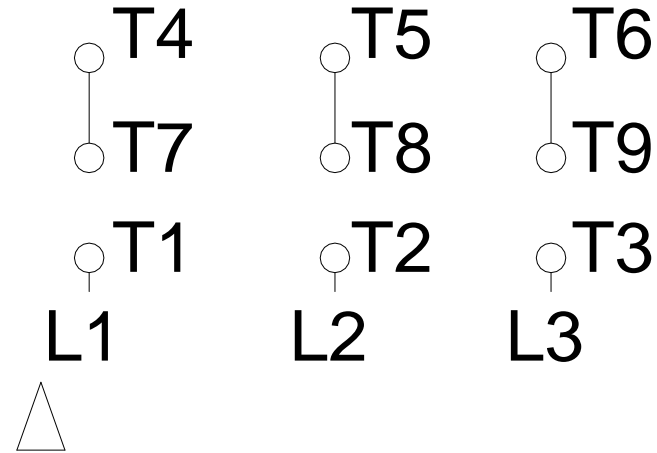
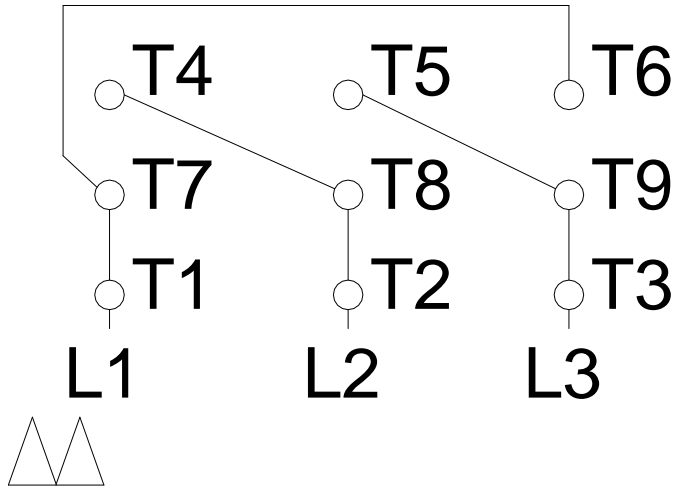
2E 7.500	A 8.661	2F 4.500/5.500	B 6.299	BA 2.750
J 1.171	K 1.988	P 7.637	ES 1.969	depth 0.250
S 0.250	N-W 2.750	U 1.125	R 0.984	AB 6.575
D 4.500	G 0.187	O 8.307	H 0.406	C 14.291
AA NPT 3/4"	d1 A 4	d2 A 4		

1 2 3 4 5 6 7 8

LOW VOLTAGE

HIGH VOLTAGE

A
B
C
D
E
F



Notes: Downloaded from <http://dealerselectric.com>
Generated for Model #00212OS3EOW184T

Performed by:

Checked:

Customer:

Oil Well Pumping : High Slip - NEMA Design "D" - ODP

Three-phase induction motor
Frame 184T - IP21

12-SEP-2016

