



Dealers Industrial Equipment

No.:

Date: 12-SEP-2016

Customer :

TECHNICAL PROPOSAL

Three-phase induction motor - Squirrel cage rotor

Product line : Three-Phase: W21 IE3 IEC Tru-Metric - TEFC (IP55) Multi-Mounting Aluminum
Frame
Catalog Number : 00212ET3YAL132S
List Price : \$1,166

Notes:
Downloaded from <http://dealerselectric.com>
Generated for Model #00212ET3YAL132S

Performed by:

Checked:



Dealers Industrial Equipment

No.:

Date: 12-SEP-2016

DATA SHEET Three-phase induction motor - Squirrel cage rotor

Customer :
 Product line : Three-Phase: W21 IE3 IEC Tru-Metric - TEFC (IP55) Multi-Mounting Aluminum Frame

Frame : 132S
 Output : 3 HP
 Frequency : 60 Hz
 Poles : 6
 Full load speed : 1175 rpm
 Slip : 2.08 %
 Voltage : 460 V
 Rated current : 4.41 A
 Locked rotor current : 26.9 A
 Locked rotor current (I_L/I_n) : 6.1
 No-load current : 2.80 A
 Full load torque : 13.2 lb.ft
 Locked rotor torque : 180 %
 Breakdown torque : 310 %
 Design : ---
 Insulation class : F
 Temperature rise : 80 K
 Locked rotor time : 50 s (hot)
 Service factor : 1.25
 Duty cycle : S1
 Ambient temperature : -20°C - +40°C
 Altitude : 1000 m
 Degree of Protection : IP55
 Approximate weight : 126 lb
 Moment of inertia : 1.1675 sq.ft.lb
 Noise level : 55 dB(A)

	D.E.	N.D.E.	Load	Power factor	Efficiency (%)
Bearings	6308 ZZ	6207 ZZ	100%	0.70	89.5
Regreasing interval	---	---	75%	0.62	87.5
Grease amount	---	---	50%	0.49	84.0

Notes:
 Downloaded from <http://dealerselectric.com>
 Generated for Model #00212ET3YAL132S

Performed by

Checked



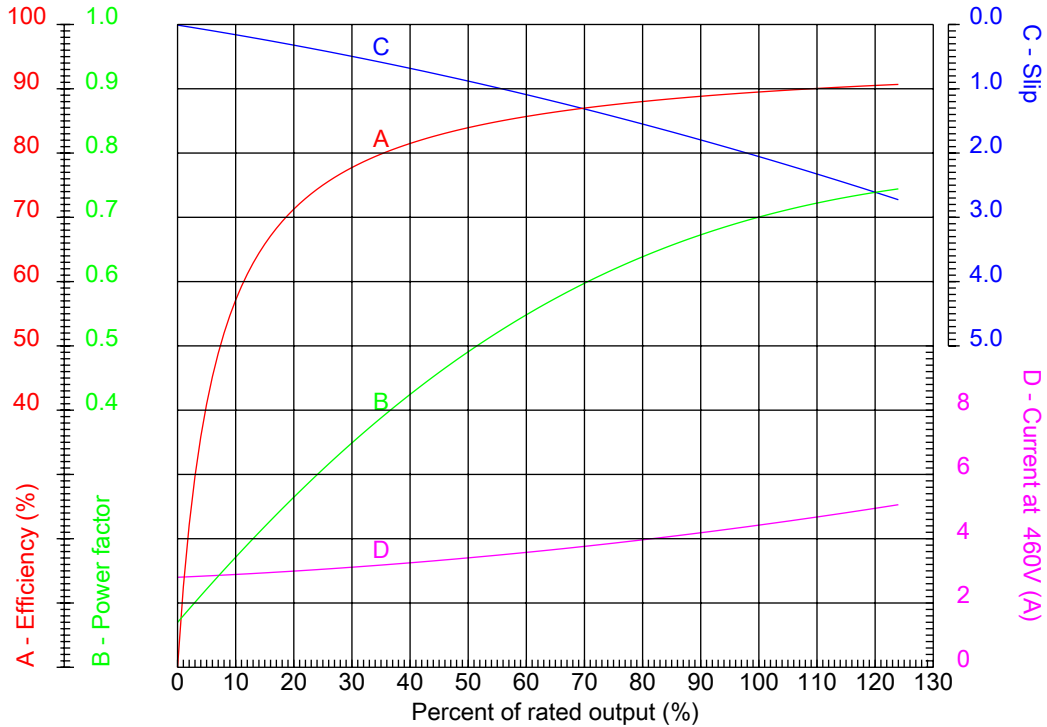
Dealers Industrial Equipment

No.:

Date: 12-SEP-2016

PERFORMANCE CURVES RELATED TO RATED OUTPUT

Three-phase induction motor - Squirrel cage rotor



Customer :
 Product line : Three-Phase: W21 IE3 IEC Tru-Metric - TEFC (IP55) Multi-Mounting Aluminum Frame

Frame	: 132S	Locked rotor current (I _l /I _n)	: 6.1
Output	: 3 HP	Duty cycle	: S1
Frequency	: 60 Hz	Service factor	: 1.25
Full load speed	: 1175 rpm	Design	: ---
Voltage	: 460 V	Locked rotor torque	: 180 %
Rated current	: 4.41 A	Breakdown torque	: 310 %
Insulation class	: F		

Notes:
 Downloaded from <http://dealerselectric.com>
 Generated for Model #00212ET3YAL132S

Performed by

Checked



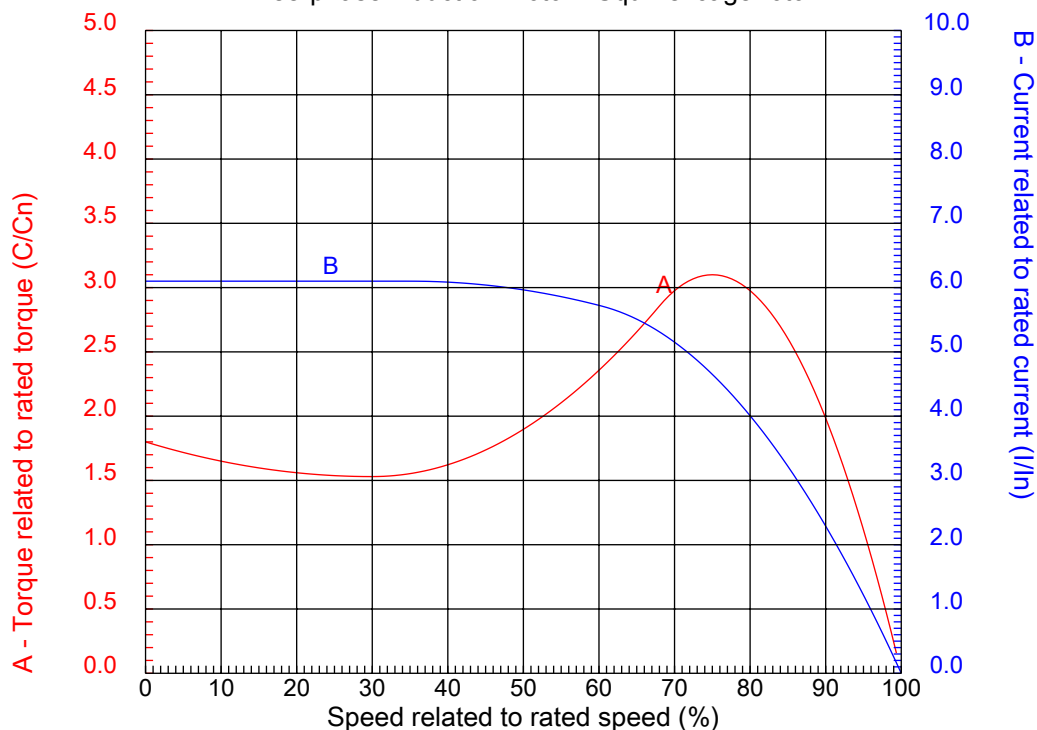
Dealers Industrial Equipment

No.:

Date: 12-SEP-2016

CHARACTERISTIC CURVES RELATED TO SPEED

Three-phase induction motor - Squirrel cage rotor



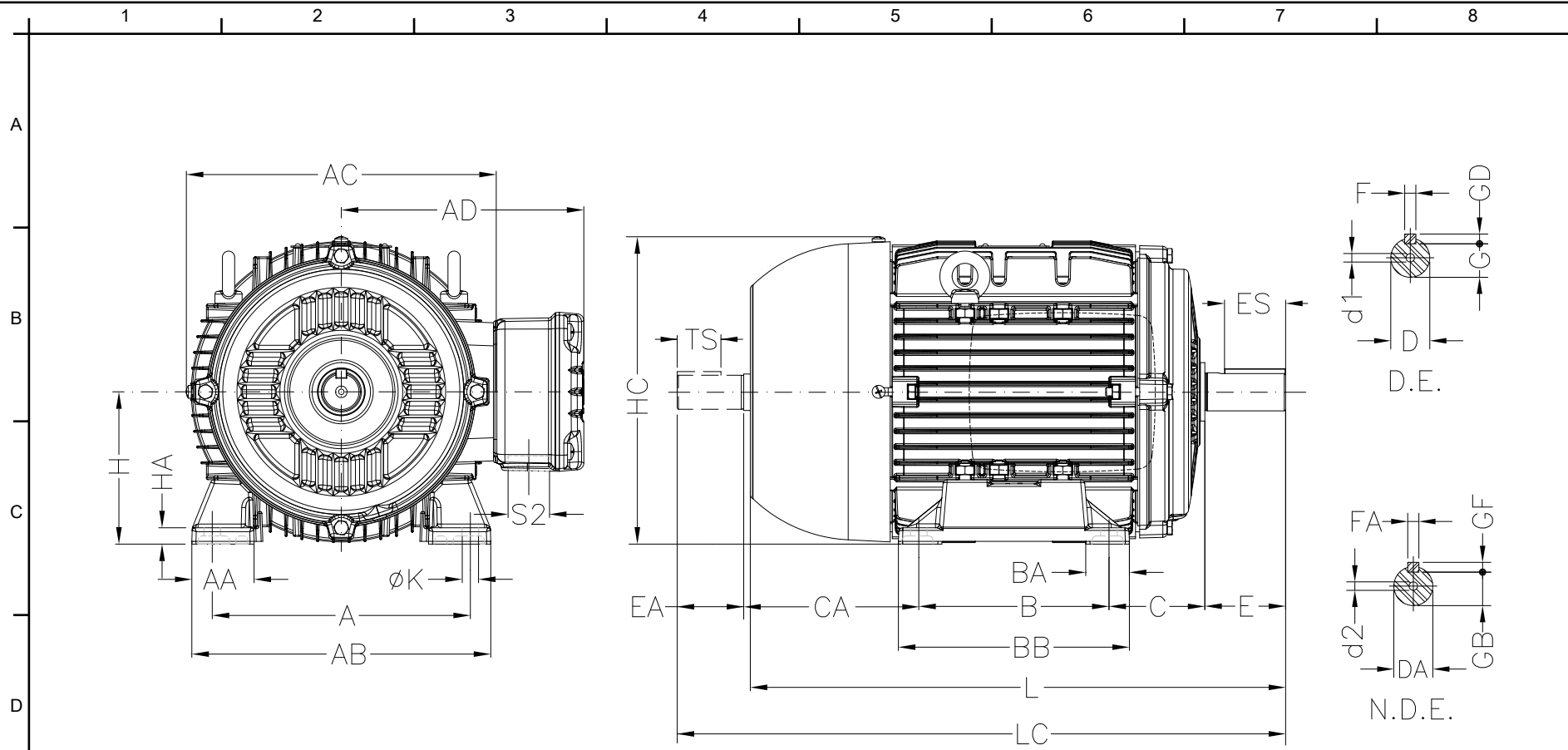
Customer :
Product line : Three-Phase: W21 IE3 IEC Tru-Metric - TEFC (IP55) Multi-Mounting Aluminum Frame

Frame	: 132S	Locked rotor current (I _l /I _n)	: 6.1
Output	: 3 HP	Duty cycle	: S1
Frequency	: 60 Hz	Service factor	: 1.25
Full load speed	: 1175 rpm	Design	: ---
Voltage	: 460 V	Locked rotor torque	: 180 %
Rated current	: 4.41 A	Breakdown torque	: 310 %
Insulation class	: F		

Notes:
Downloaded from <http://dealerselectric.com>
Generated for Model #00212ET3YAL132S

Performed by

Checked



Notes: Downloaded from <http://dealerselectric.com>
 Generated for Model #00212ET3YAL132S

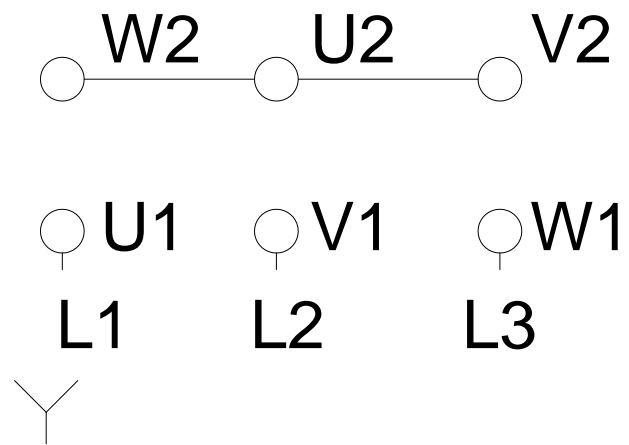
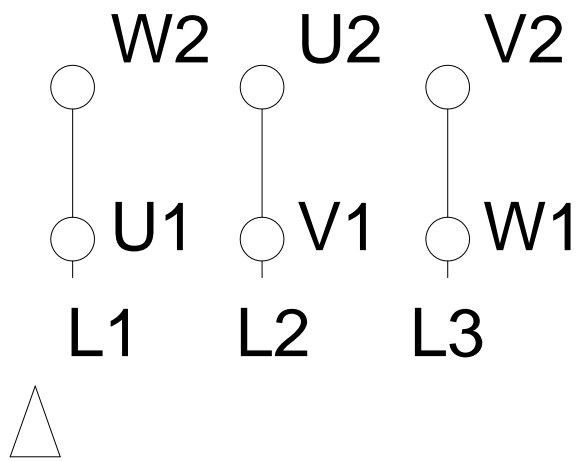
A	AA	AB	AC	AD
216	44	248	270	205
B	BA	BB	C	CA
140	37	170	89	150
D	E	ES	F	G
38j6	80	63	10	33
GD	DA	EA	TS	FA
8	28j6	60	45	8
GB	GF	H	HA	HC
24	7	132	12	274
HD	K	L	LC	S2
360	12	490	557	2xM32x1,5
d1	d2			
DM12	DM10			

Performed by:	
Checked:	
Customer:	
Three-Phase: W21 IE3 IEC Tru-Metric - TEFC (IP55) Multi-Mounting Aluminum	
Three-phase induction motor Frame 132S - IP55	12-SEP-2016



LOW VOLTAGE

HIGH VOLTAGE



Notes: Downloaded from <http://dealerselectric.com>
Generated for Model #00212ET3YAL132S

Performed by:

Checked:

Customer:

Three-Phase: W21 IE3 IEC Tru-Metric - TEFC (IP55) Multi-Mounting Aluminum

Three-phase induction motor
Frame 132S - IP55

12-SEP-2016

