



Dealers Industrial Equipment

No.:

Date: 12-SEP-2016

Customer :

TECHNICAL PROPOSAL

Three-phase induction motor - Squirrel cage rotor

Product line : Three-Phase : Rolled Steel Motor - NEMA Premium Efficiency

Catalog Number : 00212ET3HRS184T

List Price : \$>(discontinued)

Notes:

Downloaded from <http://dealerselectric.com>

Generated for Model #00212ET3HRS184T

Performed by:

Checked:



Dealers Industrial Equipment

No.:

Date: 12-SEP-2016

DATA SHEET Three-phase induction motor - Squirrel cage rotor

Customer :
 Product line : Three-Phase : Rolled Steel Motor - NEMA Premium Efficiency

Frame : 184T
 Output : 2 HP
 Frequency : 60 Hz
 Poles : 6
 Full load speed : 1165 rpm
 Slip : 2.92 %
 Voltage : 575 V
 Rated current : 2.58 A
 Locked rotor current : 19.3 A
 Locked rotor current (I_L/I_n) : 7.5
 No-load current : 1.80 A
 Full load torque : 8.89 lb.ft
 Locked rotor torque : 300 %
 Breakdown torque : 300 %
 Design : B
 Insulation class : F
 Temperature rise : 80 K
 Locked rotor time : 31 s (hot)
 Service factor : 1.15
 Duty cycle : S1
 Ambient temperature : -20°C - +40°C
 Altitude : 1000 m
 Degree of Protection : IP55
 Approximate weight : 88 lb
 Moment of inertia : 0.62101 sq.ft.lb
 Noise level : ---

| | D.E. | N.D.E. |
|---------------------|---------|---------|
| Bearings | 6206 ZZ | 6206 ZZ |
| Regreasing interval | --- | --- |
| Grease amount | --- | --- |

| Load | Power factor | Efficiency (%) |
|------|--------------|----------------|
| 100% | 0.66 | 88.5 |
| 75% | 0.58 | 88.5 |
| 50% | 0.46 | 86.5 |

Notes:
 Downloaded from <http://dealerselectric.com>
 Generated for Model #00212ET3HRS184T

Performed by

Checked



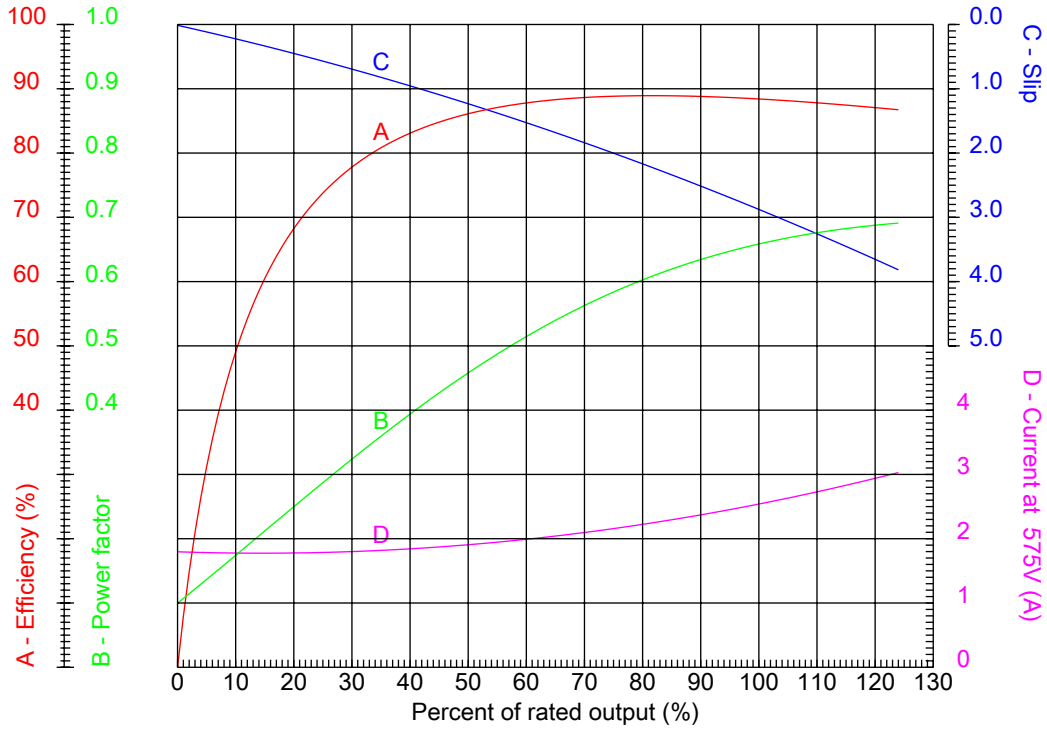
Dealers Industrial Equipment

No.:

Date: 12-SEP-2016

PERFORMANCE CURVES RELATED TO RATED OUTPUT

Three-phase induction motor - Squirrel cage rotor



Customer :
 Product line : Three-Phase : Rolled Steel Motor - NEMA Premium Efficiency

| | |
|----------------------------|--|
| Frame : 184T | Locked rotor current (I _L /I _n) : 7.5 |
| Output : 2 HP | Duty cycle : S1 |
| Frequency : 60 Hz | Service factor : 1.15 |
| Full load speed : 1165 rpm | Design : B |
| Voltage : 575 V | Locked rotor torque : 300 % |
| Rated current : 2.58 A | Breakdown torque : 300 % |
| Insulation class : F | |

Notes:
 Downloaded from <http://dealerselectric.com>
 Generated for Model #00212ET3HRS184T

Performed by

Checked



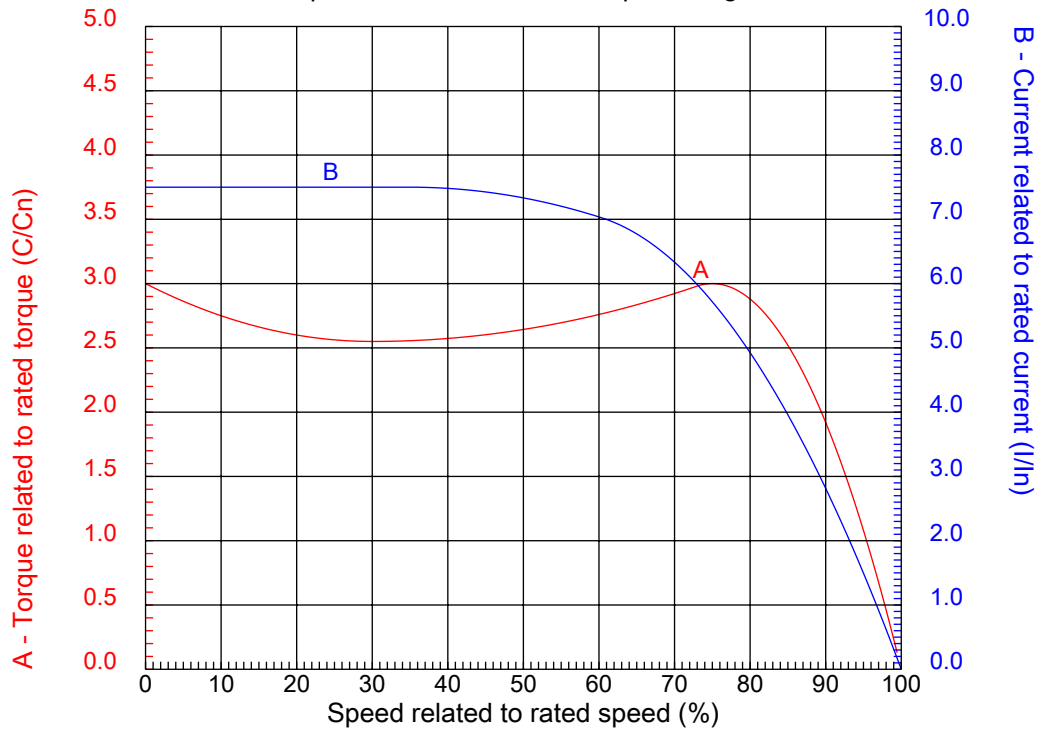
Dealers Industrial Equipment

No.:

Date: 12-SEP-2016

CHARACTERISTIC CURVES RELATED TO SPEED

Three-phase induction motor - Squirrel cage rotor



Customer :
Product line : Three-Phase : Rolled Steel Motor - NEMA Premium Efficiency

| | | | |
|------------------|------------|--|---------|
| Frame | : 184T | Locked rotor current (I _l /I _n) | : 7.5 |
| Output | : 2 HP | Duty cycle | : S1 |
| Frequency | : 60 Hz | Service factor | : 1.15 |
| Full load speed | : 1165 rpm | Design | : B |
| Voltage | : 575 V | Locked rotor torque | : 300 % |
| Rated current | : 2.58 A | Breakdown torque | : 300 % |
| Insulation class | : F | | |

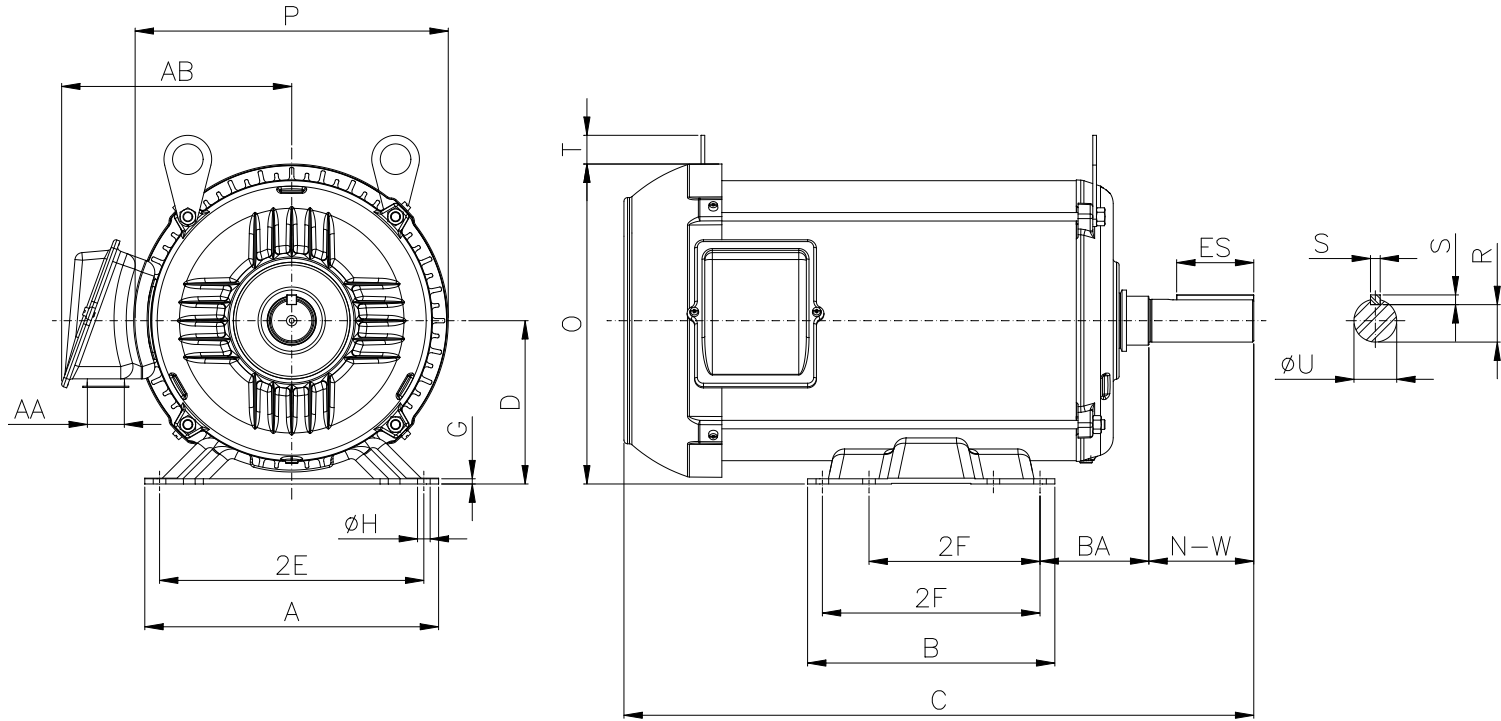
Notes:
Downloaded from <http://dealerselectric.com>
Generated for Model #00212ET3HRS184T

Performed by

Checked

1 2 3 4 5 6 7 8

A
B
C
D
E



Notes: Downloaded from <http://dealerselectric.com>
Generated for Model #00212ET3HRS184T

Performed by:

Checked:

Customer:

Three-Phase : Rolled Steel Motor - NEMA Premium Efficiency

| | | | | |
|-------------|-------------|----------------|--------------|-------------------|
| 2E 7.500 | A 8.661 | P 8.694 | AB 6.353 | 2F 4.500/5.500 |
| B 6.299 | BA 2.750 | U 1.125 | N-W 2.750 | ES 1.969 |
| S 0.250 | R 0.984 | depth 0.250 | D 4.500 | G 0.167 |
| O 8.847 | T 0.902 | H 0.406 | C 16.404 | d1 A 4 |
| d2 A 4 | | | | |

Three-phase induction motor
Frame 184T - IP55

12-SEP-2016



1 2 3 4 5 6 7 8

A

B

C

D

E

F



Notes: Downloaded from <http://dealerselectric.com>
Generated for Model #00212ET3HRS184T

Performed by:

Checked:

Customer:

Three-Phase : Rolled Steel Motor - NEMA Premium Efficiency

Three-phase induction motor
Frame 184T - IP55

12-SEP-2016

