



# Dealers Industrial Equipment

No.:

Date: 12-SEP-2016

Customer :

## TECHNICAL PROPOSAL

### Three-phase induction motor - Squirrel cage rotor

Product line : W22 NEMA Premium - Ball Bearings

Catalog Number : 00212ET3H184T-W22

List Price : \$819

#### Notes:

Downloaded from <http://dealerselectric.com>

Generated for Model #00212ET3H184T-W22

Performed by:

Checked:



# Dealers Industrial Equipment

No.:

Date: 12-SEP-2016

## DATA SHEET Three-phase induction motor - Squirrel cage rotor

Customer :  
Product line : W22 NEMA Premium - Ball Bearings

Frame : 182/4T  
Output : 2 HP  
Frequency : 60 Hz  
Poles : 6  
Full load speed : 1170 rpm  
Slip : 2.50 %  
Voltage : 575 V  
Rated current : 2.58 A  
Locked rotor current : 19.3 A  
Locked rotor current (I<sub>L</sub>/I<sub>n</sub>) : 7.5  
No-load current : 1.52 A  
Full load torque : 8.86 lb.ft  
Locked rotor torque : 300 %  
Breakdown torque : 350 %  
Design : B  
Insulation class : F  
Temperature rise : 80 K  
Locked rotor time : 31 s (hot)  
Service factor : 1.25  
Duty cycle : S1  
Ambient temperature : -20°C - +40°C  
Altitude : 1000 m  
Degree of Protection : IP55  
Approximate weight : 88 lb  
Moment of inertia : 0.62101 sq.ft.lb  
Noise level : 52 dB(A)

|                     | D.E.    | N.D.E.  |
|---------------------|---------|---------|
| Bearings            | 6207 ZZ | 6206 ZZ |
| Regreasing interval | ---     | ---     |
| Grease amount       | ---     | ---     |

| Load | Power factor | Efficiency (%) |
|------|--------------|----------------|
| 100% | 0.66         | 88.5           |
| 75%  | 0.58         | 87.5           |
| 50%  | 0.46         | 86.5           |

Notes:  
Downloaded from <http://dealerselectric.com>  
Generated for Model #00212ET3H184T-W22

Performed by

Checked



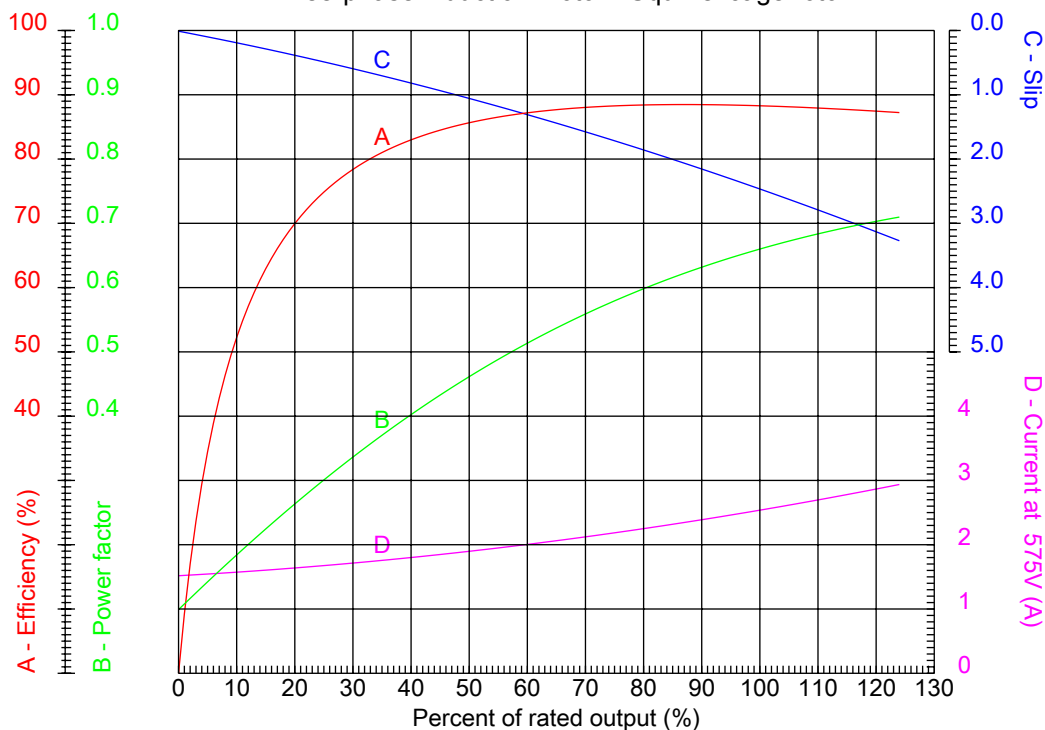
# Dealers Industrial Equipment

No.:

Date: 12-SEP-2016

## PERFORMANCE CURVES RELATED TO RATED OUTPUT

Three-phase induction motor - Squirrel cage rotor



Customer :  
 Product line : W22 NEMA Premium - Ball Bearings

|                  |            |  |         |
|------------------|------------|--|---------|
| Frame            | : 182/4T   | Locked rotor current (I <sub>L</sub> /I <sub>n</sub> ) | : 7.5   |
| Output           | : 2 HP     | Duty cycle   | : S1    |
| Frequency        | : 60 Hz    | Service factor   | : 1.25  |
| Full load speed  | : 1170 rpm | Design   | : B     |
| Voltage          | : 575 V    | Locked rotor torque                                    | : 300 % |
| Rated current    | : 2.58 A   | Breakdown torque                                       | : 350 % |
| Insulation class | : F        |  |         |

Notes:  
 Downloaded from <http://dealerselectric.com>  
 Generated for Model #00212ET3H184T-W22

Performed by

Checked



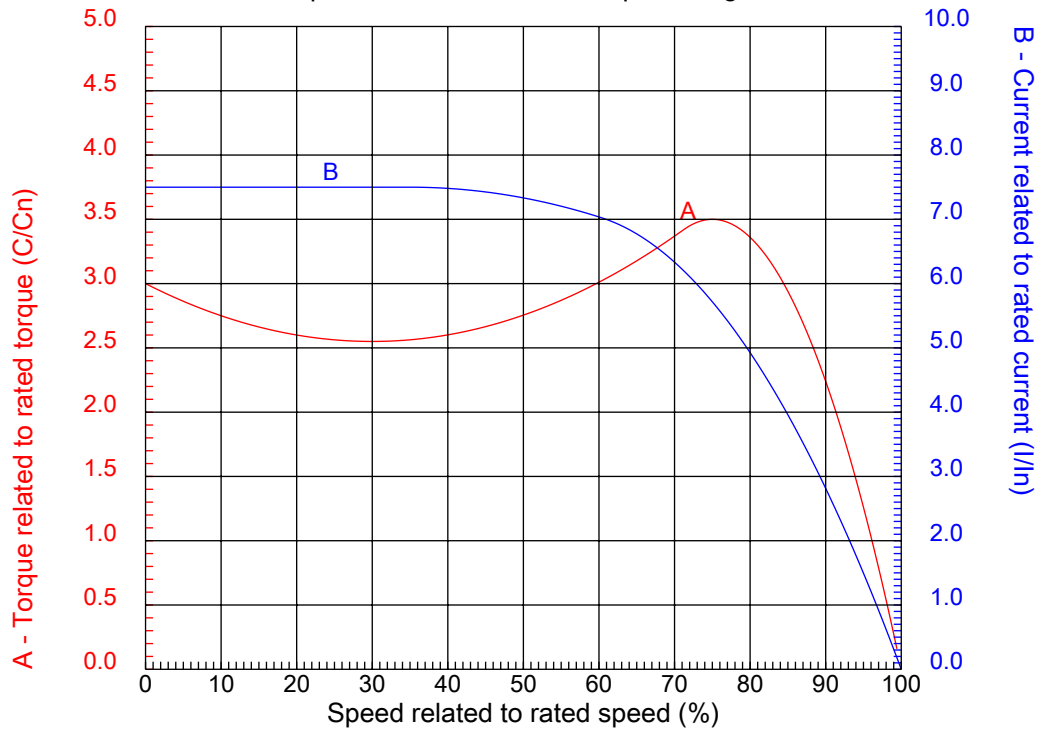
# Dealers Industrial Equipment

No.:

Date: 12-SEP-2016

## CHARACTERISTIC CURVES RELATED TO SPEED

Three-phase induction motor - Squirrel cage rotor



Customer :  
Product line : W22 NEMA Premium - Ball Bearings

|                  |            |  |         |
|------------------|------------|--|---------|
| Frame            | : 182/4T   | Locked rotor current (I <sub>l</sub> /I <sub>n</sub> ) | : 7.5   |
| Output           | : 2 HP     | Duty cycle   | : S1    |
| Frequency        | : 60 Hz    | Service factor   | : 1.25  |
| Full load speed  | : 1170 rpm | Design   | : B     |
| Voltage          | : 575 V    | Locked rotor torque                                    | : 300 % |
| Rated current    | : 2.58 A   | Breakdown torque                                       | : 350 % |
| Insulation class | : F        |  |         |

Notes:  
Downloaded from <http://dealerselectric.com>  
Generated for Model #00212ET3H184T-W22

Performed by

Checked

1 2 3 4 5 6 7 8

A

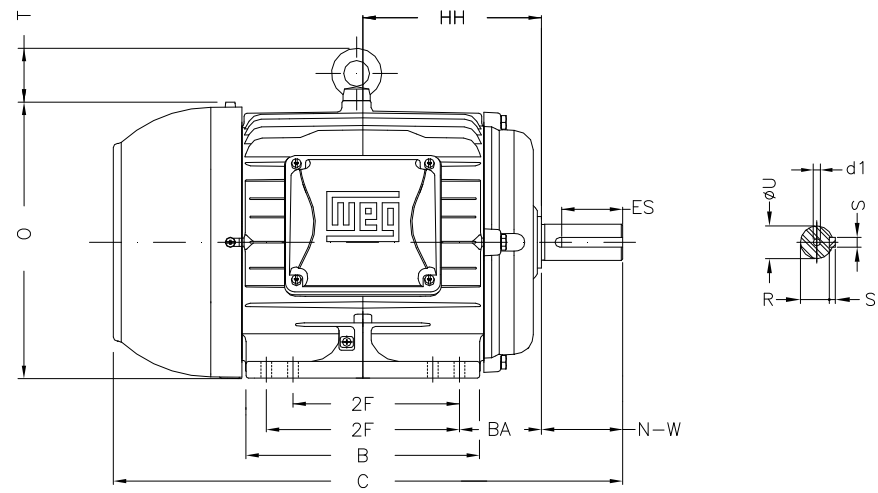
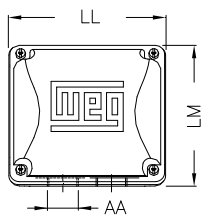
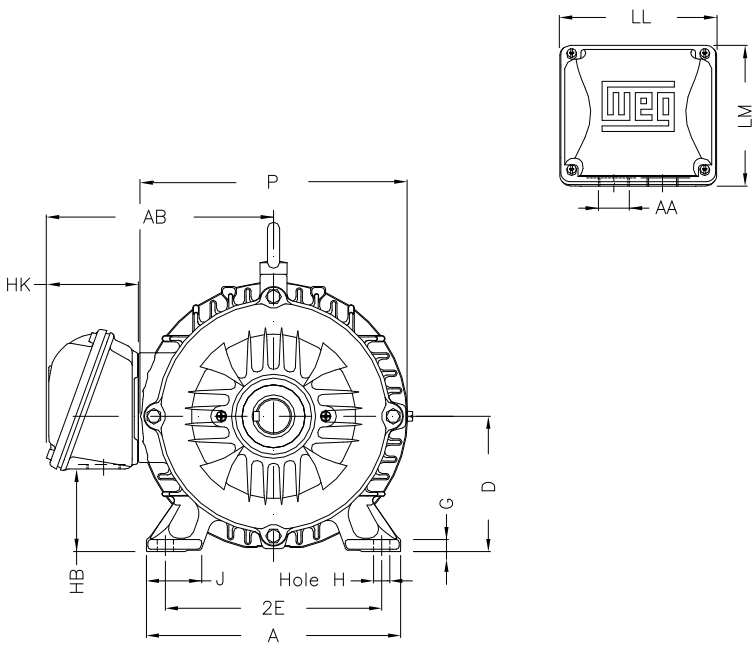
B

C

D

E

F



Notes: Downloaded from <http://dealerselectric.com>  
Generated for Model #00212ET3H184T-W22

|                   |              |             |              |                |
|-------------------|--------------|-------------|--------------|----------------|
| 2E<br>7.500       | J<br>1.614   | A<br>8.661  | P<br>8.937   | AB<br>7.565    |
| 2F<br>4.500/5.500 | B<br>6.969   | BA<br>2.750 | FBA<br>5.057 | U<br>1.125     |
| N-W<br>2.750      | ES<br>1.969  | S<br>0.250  | R<br>0.984   | depth<br>0.250 |
| D<br>4.500        | G<br>0.394   | HB<br>2.236 | O<br>9.343   | T<br>1.772     |
| HF<br>4.500       | HH<br>5.500  | HK<br>3.150 | EV<br>0.734  | H<br>0.410     |
| C<br>15.860       | FC<br>18.307 | LL<br>5.512 | LM<br>5.236  | AA<br>NPT 1"   |
| d1<br>A 4         |              |             |              |                |

|  |             |
|--|-------------|
| Performed by:                                      |             |
| Checked:   |             |
| Customer:  |             |
| W22 NEMA Premium - Ball Bearings                   |             |
| Three-phase induction motor<br>Frame 182/4T - IP55 | 12-SEP-2016 |



1 2 3 4 5 6 7 8

A

B

C

D

E

F



Notes: Downloaded from <http://dealerselectric.com>  
Generated for Model #00212ET3H184T-W22

Performed by:

Checked:

Customer:

W22 NEMA Premium - Ball Bearings

Three-phase induction motor  
Frame 182/4T - IP55

12-SEP-2016

