



Dealers Industrial Equipment

No.:

Date: 12-SEP-2016

Customer :

TECHNICAL PROPOSAL

Three-phase induction motor - Squirrel cage rotor

Product line : Three-Phase : Rolled Steel Motor - NEMA Premium Efficiency

Catalog Number : 00212ET3ERS184TC

List Price : \$>(discontinued)

Notes:

Downloaded from <http://dealerselectric.com>

Generated for Model #00212ET3ERS184TC

Performed by:

Checked:



Dealers Industrial Equipment

No.:

Date: 12-SEP-2016

DATA SHEET Three-phase induction motor - Squirrel cage rotor

Customer :
 Product line : Three-Phase : Rolled Steel Motor - NEMA Premium Efficiency

Frame : 184T
 Output : 2 HP
 Frequency : 60 Hz
 Poles : 6
 Full load speed : 1165 rpm
 Slip : 2.92 %
 Voltage : 208-230/460 V
 Rated current : 7.12-6.44/3.22 A
 Locked rotor current : 48.3/24.2 A
 Locked rotor current (I_L/I_n) : 7.5
 No-load current : 4.50/2.25 A
 Full load torque : 8.89 lb.ft
 Locked rotor torque : 300 %
 Breakdown torque : 300 %
 Design : B
 Insulation class : F
 Temperature rise : 80 K
 Locked rotor time : 31 s (hot)
 Service factor : 1.15
 Duty cycle : S1
 Ambient temperature : -20°C - +40°C
 Altitude : 1000 m
 Degree of Protection : IP55
 Approximate weight : 88 lb
 Moment of inertia : 0.62101 sq.ft.lb
 Noise level : ---

	D.E.	N.D.E.
Bearings	6206 ZZ	6206 ZZ
Regreasing interval	---	---
Grease amount	---	---

Load	Power factor	Efficiency (%)
100%	0.66	88.5
75%	0.58	88.5
50%	0.46	86.5

Notes:
 Downloaded from <http://dealerselectric.com>
 Generated for Model #00212ET3ERS184TC

Performed by

Checked



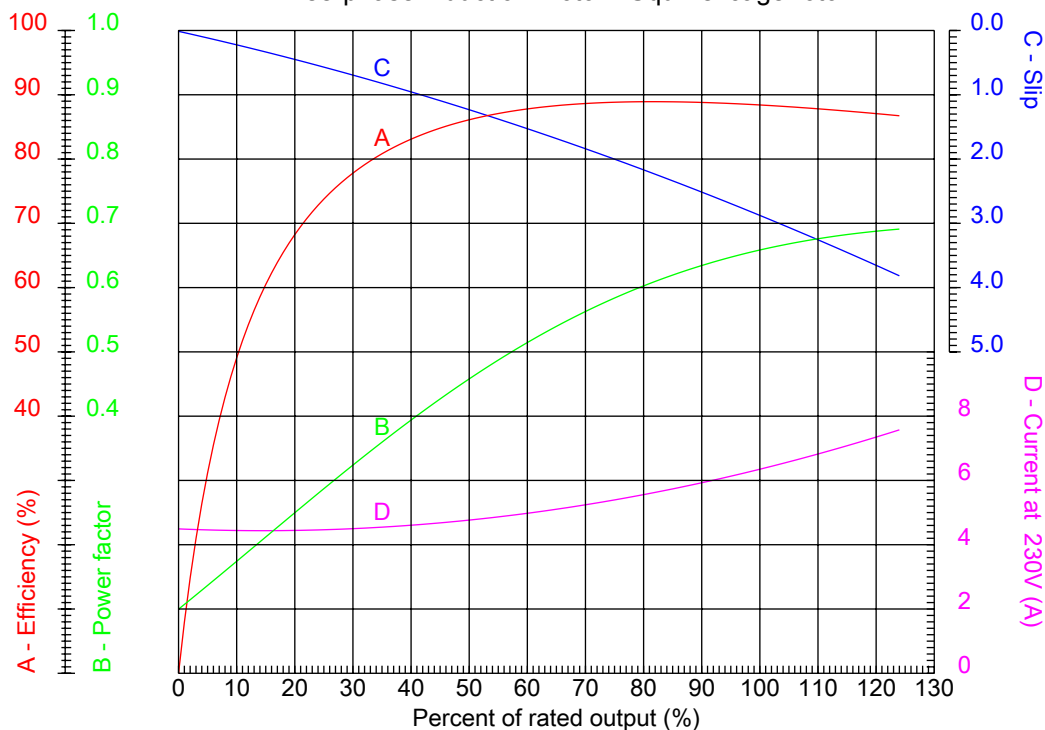
Dealers Industrial Equipment

No.:

Date: 12-SEP-2016

PERFORMANCE CURVES RELATED TO RATED OUTPUT

Three-phase induction motor - Squirrel cage rotor



Customer :
Product line : Three-Phase : Rolled Steel Motor - NEMA Premium Efficiency

Frame	: 184T	Locked rotor current (I _L /I _n)	: 7.5
Output	: 2 HP	Duty cycle	: S1
Frequency	: 60 Hz	Service factor	: 1.15
Full load speed	: 1165 rpm	Design	: B
Voltage	: 208-230/460 V	Locked rotor torque	: 300 %
Rated current	: 7.12-6.44/3.22 A	Breakdown torque	: 300 %
Insulation class	: F		

Notes:
Downloaded from <http://dealerselectric.com>
Generated for Model #00212ET3ERS184TC

Performed by

Checked



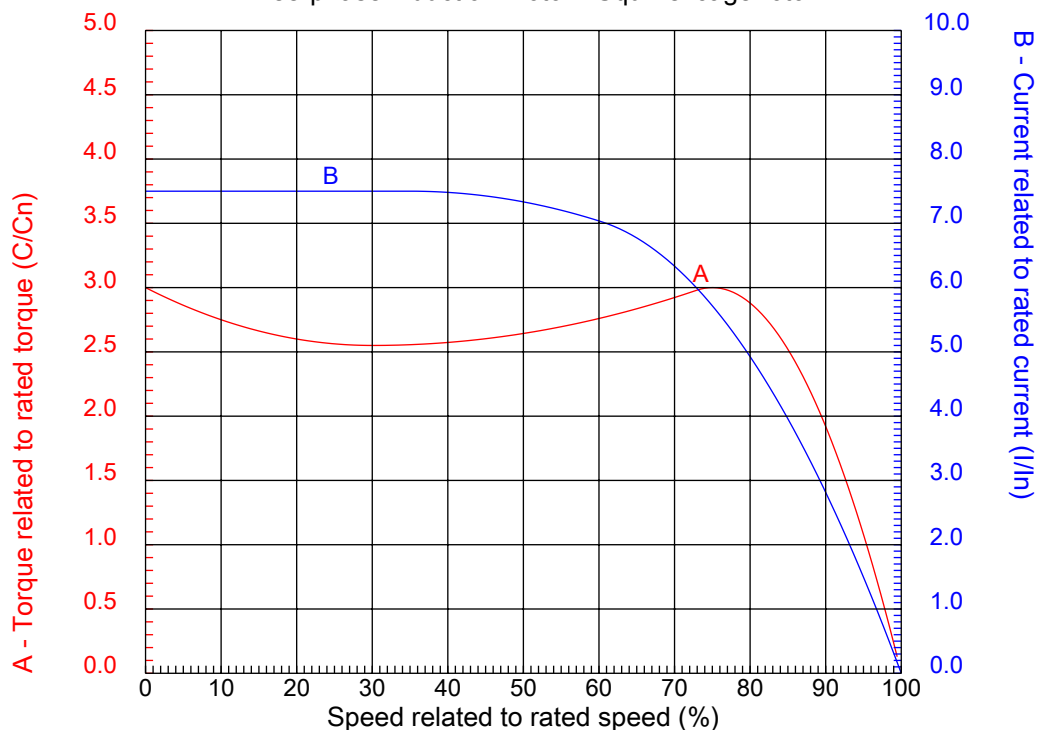
Dealers Industrial Equipment

No.:

Date: 12-SEP-2016

CHARACTERISTIC CURVES RELATED TO SPEED

Three-phase induction motor - Squirrel cage rotor



Customer :
Product line : Three-Phase : Rolled Steel Motor - NEMA Premium Efficiency

Frame	: 184T	Locked rotor current (I _l /I _n)	: 7.5
Output	: 2 HP	Duty cycle	: S1
Frequency	: 60 Hz	Service factor	: 1.15
Full load speed	: 1165 rpm	Design	: B
Voltage	: 208-230/460 V	Locked rotor torque	: 300 %
Rated current	: 7.12-6.44/3.22 A	Breakdown torque	: 300 %
Insulation class	: F		

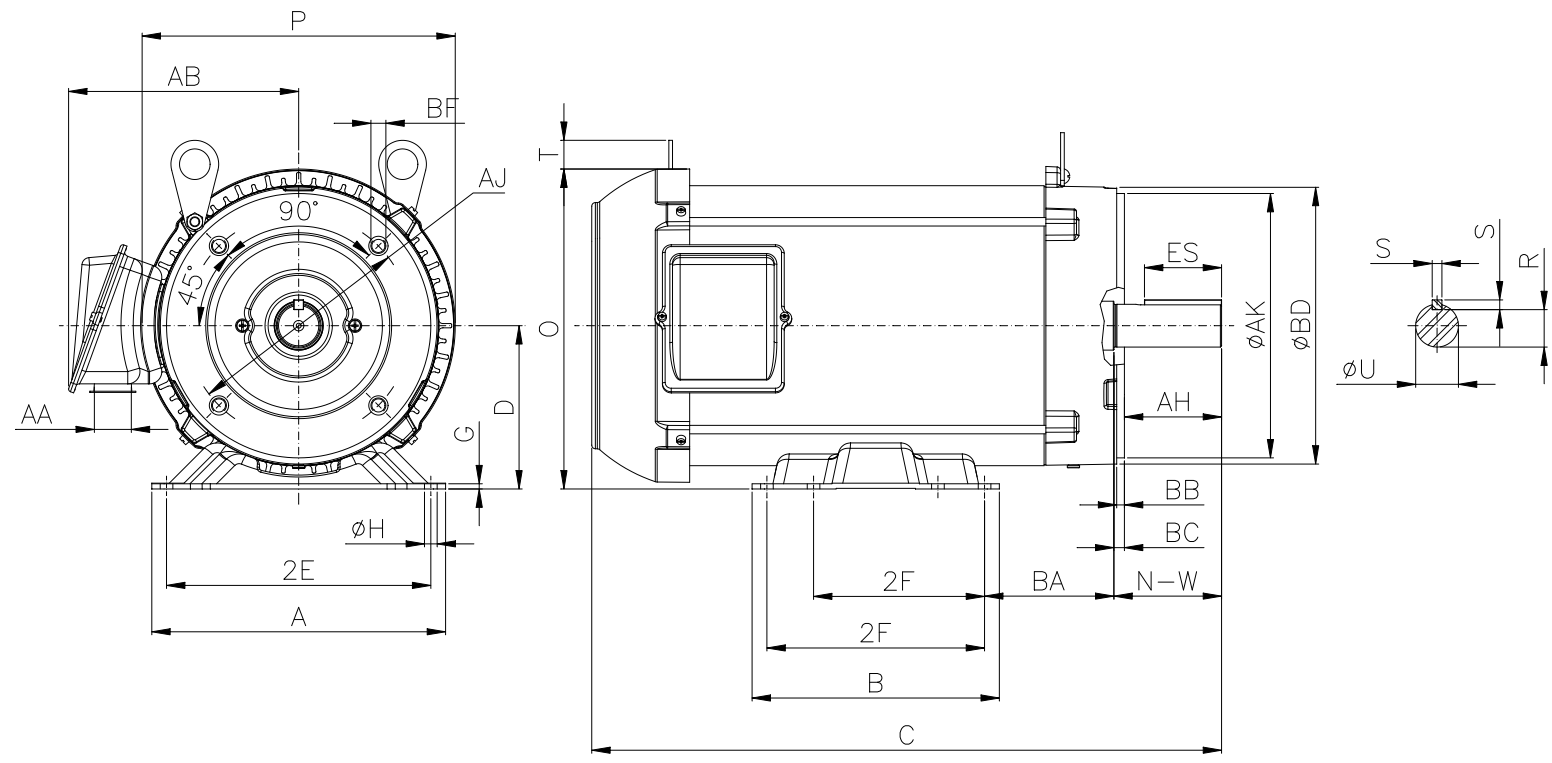
Notes:
Downloaded from <http://dealerselectric.com>
Generated for Model #00212ET3ERS184TC

Performed by

Checked

1 2 3 4 5 6 7 8

A
B
C
D
E
F



Notes: Downloaded from <http://dealerselectric.com>
Generated for Model #00212ET3ERS184TC

Performed by:

Checked:

Customer:

Three-Phase : Rolled Steel Motor - NEMA Premium Efficiency

2E 7.500	A 8.661	P 8.694	AB 6.353	2F 4.500/5.500
B 6.299	BA 3.500	U 1.125	N-W 2.750	ES 1.969
S 0.250	R 0.984	depth 0.250	D 4.500	G 0.167
O 8.847	T 0.902	H 0.406	C 16.404	d1 A 4
d2 A 4	Flange FC-184	AJ 7.250	AK 8.500	BD 8.875
BF UNC 1/2"x13	BB 0.250	BC 0.125	AH 2.625	

Three-phase induction motor
Frame 184T - IP55

12-SEP-2016

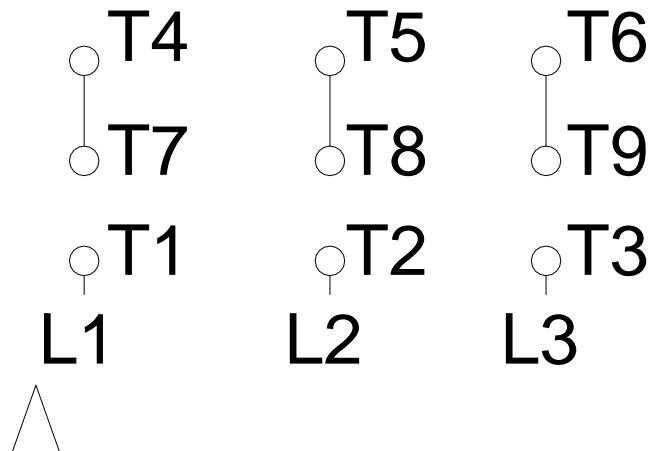
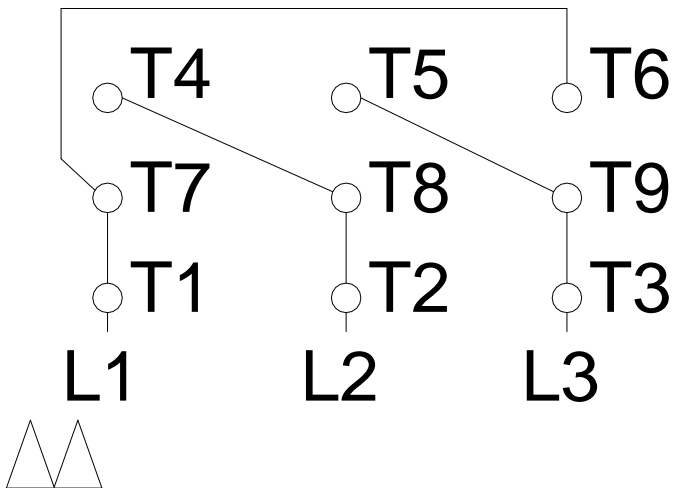


1 2 3 4 5 6 7 8

LOW VOLTAGE

HIGH VOLTAGE

A
B
C
D
E
F



Notes: Downloaded from <http://dealerselectric.com>
Generated for Model #00212ET3ERS184TC

Performed by:

Checked:

Customer:

Three-Phase : Rolled Steel Motor - NEMA Premium Efficiency

Three-phase induction motor
Frame 184T - IP55

12-SEP-2016

