



Dealers Industrial Equipment

No.:

Date: 12-SEP-2016

Customer :

TECHNICAL PROPOSAL

Three-phase induction motor - Squirrel cage rotor

Product line : W22 NEMA Premium - Ball Bearings

Catalog Number : 00212ET3E184TC-W22

List Price : \$857

Notes:

Downloaded from <http://dealerselectric.com>

Generated for Model #00212ET3E184TC-W22

Performed by:

Checked:



Dealers Industrial Equipment

No.:

Date: 12-SEP-2016

DATA SHEET Three-phase induction motor - Squirrel cage rotor

Customer :
Product line : W22 NEMA Premium - Ball Bearings

Frame : 182/4T
Output : 2 HP
Frequency : 60 Hz
Poles : 6
Full load speed : 1170 rpm
Slip : 2.50 %
Voltage : 208-230/460 V
Rated current : 7.13-6.44/3.22 A
Locked rotor current : 48.3/24.2 A
Locked rotor current (I_L/I_n) : 7.5
No-load current : 3.80/1.90 A
Full load torque : 8.86 lb.ft
Locked rotor torque : 300 %
Breakdown torque : 350 %
Design : B
Insulation class : F
Temperature rise : 80 K
Locked rotor time : 31 s (hot)
Service factor : 1.25 (1.00 at 208V)
Duty cycle : S1
Ambient temperature : -20°C - +40°C
Altitude : 1000 m
Degree of Protection : IP55
Approximate weight : 88 lb
Moment of inertia : 0.62101 sq.ft.lb
Noise level : 52 dB(A)

	D.E.	N.D.E.
Bearings	6207 ZZ	6206 ZZ
Regreasing interval	---	---
Grease amount	---	---

Load	Power factor	Efficiency (%)
100%	0.66	88.5
75%	0.58	87.5
50%	0.46	86.5

Notes:
Downloaded from <http://dealerselectric.com>
Generated for Model #00212ET3E184TC-W22

Performed by

Checked



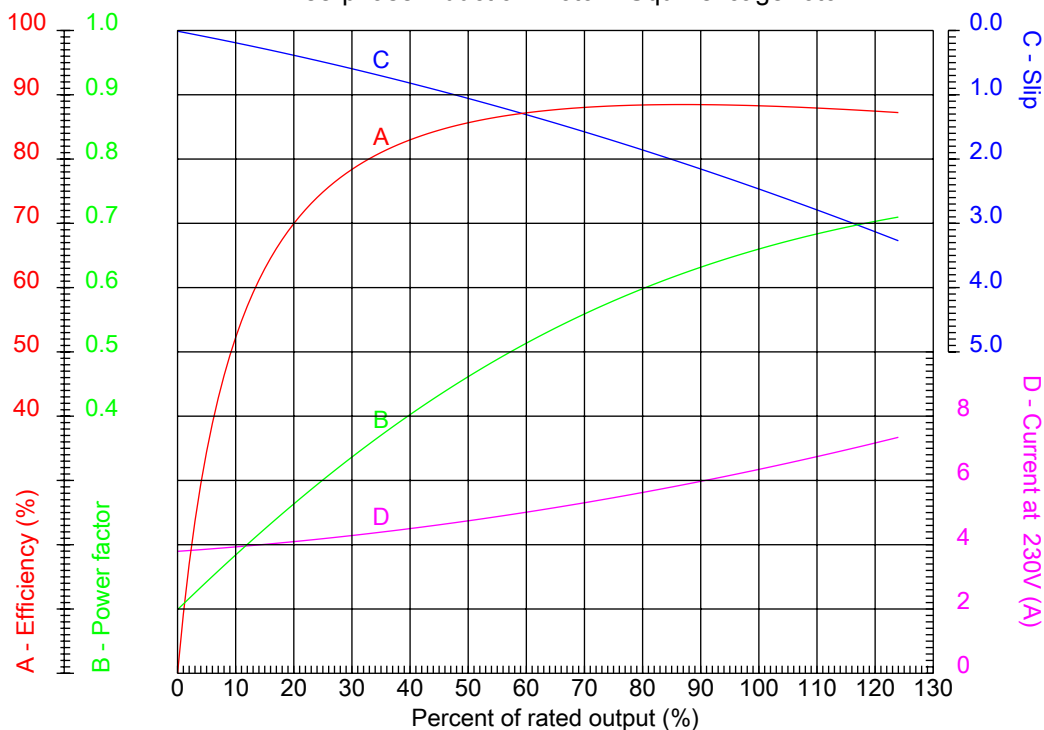
Dealers Industrial Equipment

No.:

Date: 12-SEP-2016

PERFORMANCE CURVES RELATED TO RATED OUTPUT

Three-phase induction motor - Squirrel cage rotor



Customer :
 Product line : W22 NEMA Premium - Ball Bearings

Frame : 182/4T	Locked rotor current (I _L /I _n) : 7.5
Output : 2 HP	Duty cycle : S1
Frequency : 60 Hz	Service factor : 1.25 (1.00 at 208V)
Full load speed : 1170 rpm	Design : B
Voltage : 208-230/460 V	Locked rotor torque : 300 %
Rated current : 7.13-6.44/3.22 A	Breakdown torque : 350 %
Insulation class : F	

Notes:
 Downloaded from <http://dealerselectric.com>
 Generated for Model #00212ET3E184TC-W22

Performed by

Checked



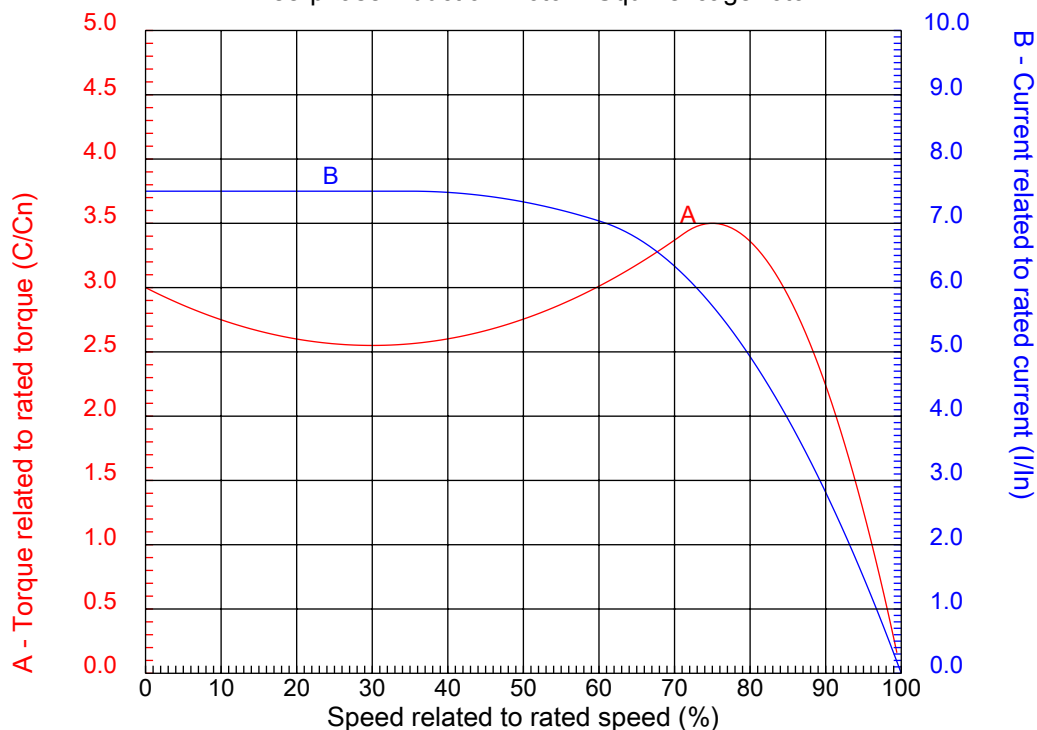
Dealers Industrial Equipment

No.:

Date: 12-SEP-2016

CHARACTERISTIC CURVES RELATED TO SPEED

Three-phase induction motor - Squirrel cage rotor



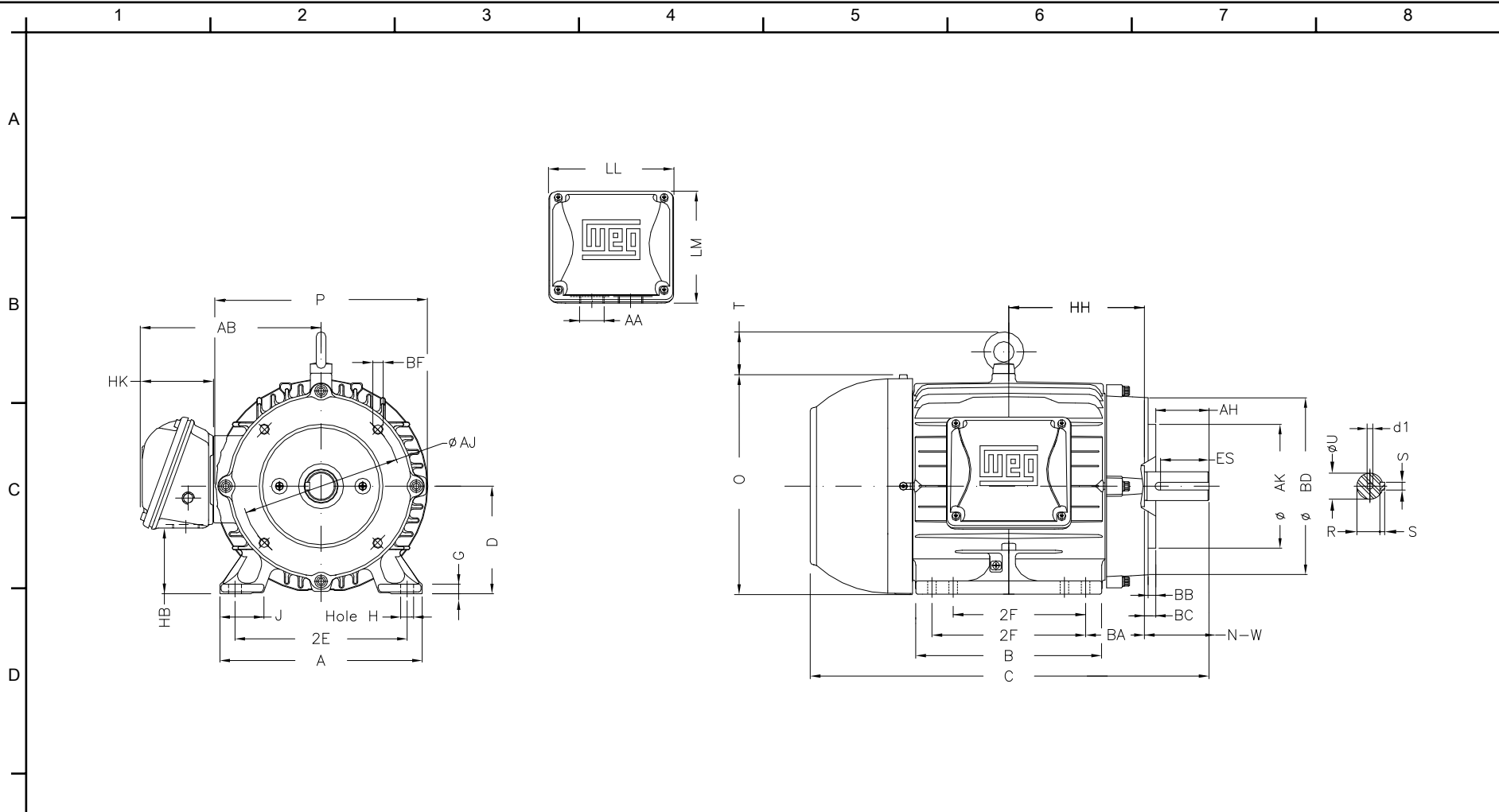
Customer :
 Product line : W22 NEMA Premium - Ball Bearings

Frame	: 182/4T	Locked rotor current (I/Iln)	: 7.5
Output	: 2 HP	Duty cycle	: S1
Frequency	: 60 Hz	Service factor	: 1.25 (1.00 at 208V)
Full load speed	: 1170 rpm	Design	: B
Voltage	: 208-230/460 V	Locked rotor torque	: 300 %
Rated current	: 7.13-6.44/3.22 A	Breakdown torque	: 350 %
Insulation class	: F		

Notes:
 Downloaded from <http://dealerselectric.com>
 Generated for Model #00212ET3E184TC-W22

Performed by

Checked



Notes: Downloaded from <http://dealerselectric.com>
 Generated for Model #00212ET3E184TC-W22

E	2E 7.500	J 1.614	A 8.661	P 8.937	AB 7.565
	2F 4.500/5.500	B 6.969	BA 2.750	FBA 5.057	U 1.125
	N-W 2.750	ES 1.969	S 0.250	R 0.984	depth 0.250
	D 4.500	G 0.394	HB 2.236	O 9.343	T 1.772
	HF 4.500	HH 5.500	HK 3.150	EV 0.734	H 0.410
F	C 15.860	FC 18.307	LL 5.512	LM 5.236	AA NPT 1"
	d1 A 4	Flange FC-184	AJ 7.250	AK 8.500	BD 8.875
	BF UNC 1/2"x13	BB 0.250	BC 0.125	AH 2.625	

Performed by:
 Checked:
 Customer:
 W22 NEMA Premium - Ball Bearings

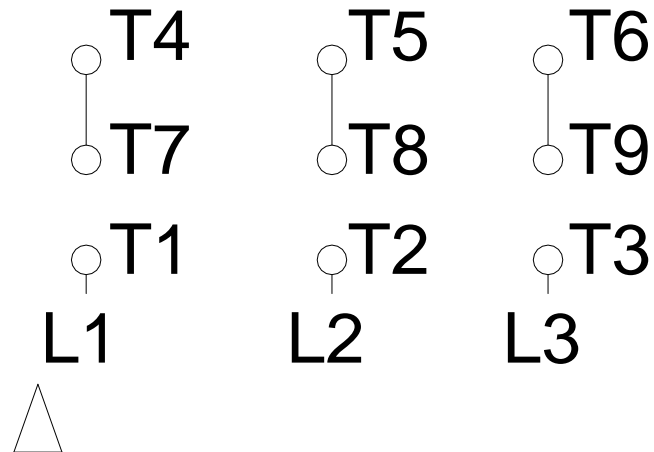
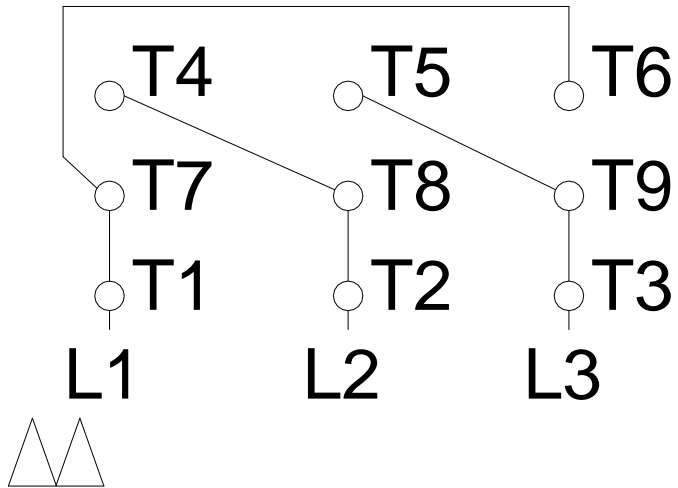
Three-phase induction motor Frame 182/4T - IP55	12-SEP-2016	
--	-------------	--

1 2 3 4 5 6 7 8

LOW VOLTAGE

HIGH VOLTAGE

A
B
C
D
E
F



Notes: Downloaded from http://dealerselectric.com Generated for Model #00212ET3E184TC-W22		
Performed by:		
Checked:		
Customer:		
W22 NEMA Premium - Ball Bearings		
Three-phase induction motor Frame 182/4T - IP55	12-SEP-2016	