



Dealers Industrial Equipment

No.:

Date: 12-SEP-2016

Customer :

TECHNICAL PROPOSAL

Single-phase induction motor - Squirrel cage rotor

Product line : Single-Phase : W21 TEFC (IP55)

Catalog Number : 00212ES1E213T

List Price : \$1,209

Notes:

Downloaded from <http://dealerselectric.com>

Generated for Model #00212ES1E213T

Performed by:

Checked:



Dealers Industrial Equipment

No.:

Date: 12-SEP-2016

DATA SHEET Single-phase induction motor - Squirrel cage rotor

Customer :
Product line : Single-Phase : W21 TEFC (IP55)

Frame : W213/5T
Output : 2 HP
Frequency : 60 Hz
Poles : 6
Full load speed : 1175 rpm
Slip : 2.08 %
Voltage : 208-230/460 V
Rated current : 10.5-10.1/5.05 A
Locked rotor current : 72.7/36.4 A
Locked rotor current (I_L/I_n) : 7.2
No-load current : 5.00/2.50 A
Full load torque : 8.82 lb.ft
Locked rotor torque : 240 %
Breakdown torque : 250 %
Design : ---
Insulation class : B
Temperature rise : 80 K
Locked rotor time : 6 s (hot)
Service factor : 1.00
Duty cycle : S1
Ambient temperature : -20°C - +40°C
Altitude : 1000 m
Degree of Protection : IP55
Approximate weight : 117 lb
Moment of inertia : 0.52206 sq.ft.lb
Noise level : ---

| | D.E. | N.D.E. | Load | Power factor | Efficiency (%) |
|---------------------|---------|---------|------|--------------|----------------|
| Bearings | 6308 ZZ | 6206 ZZ | 100% | 0.83 | 78.0 |
| Regreasing interval | --- | --- | 75% | 0.74 | 76.0 |
| Grease amount | --- | --- | 50% | 0.65 | 69.0 |

Notes:
Downloaded from <http://dealerselectric.com>
Generated for Model #00212ES1E213T

Performed by

Checked

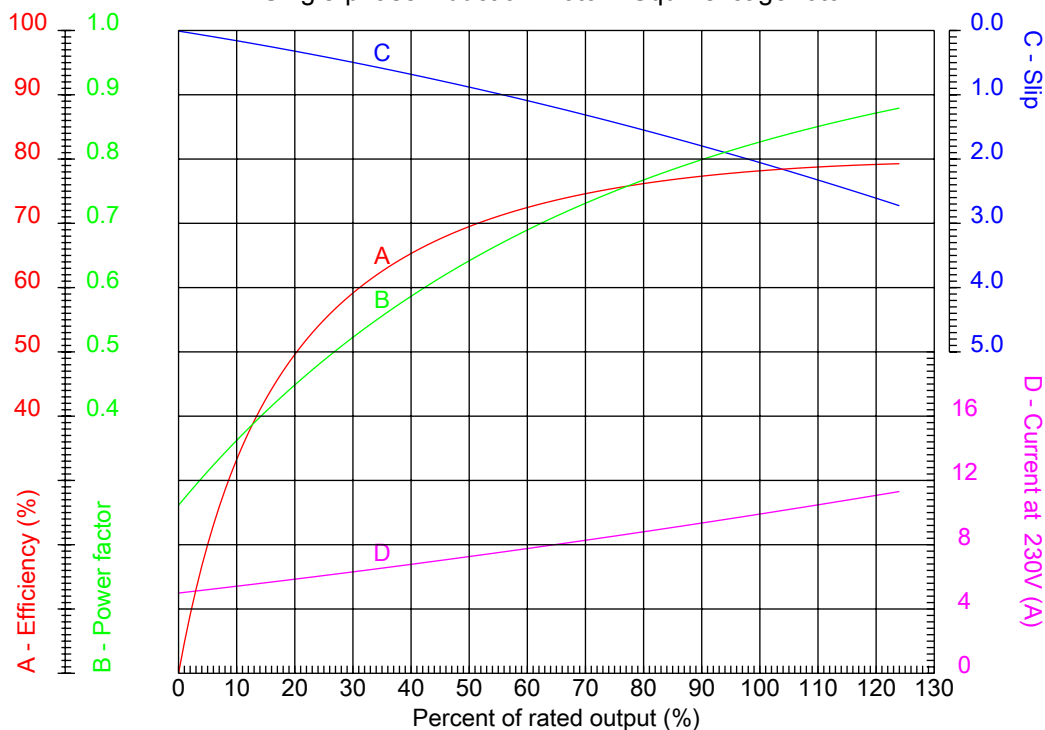


Dealers Industrial Equipment

No.:

Date: 12-SEP-2016

PERFORMANCE CURVES RELATED TO RATED OUTPUT Single-phase induction motor - Squirrel cage rotor



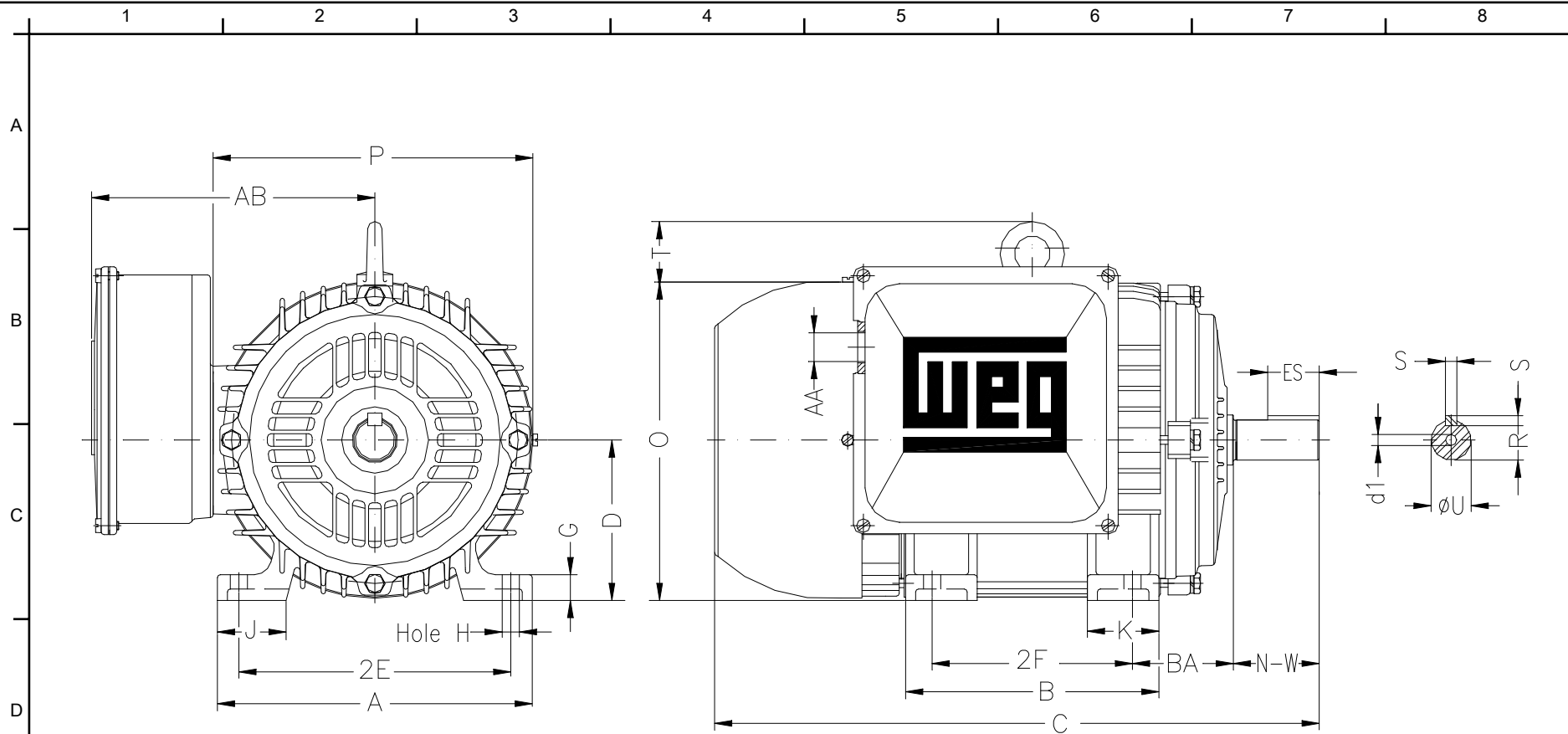
Customer :
 Product line : Single-Phase : W21 TEFC (IP55)

| | | | |
|------------------|--------------------|--|---------|
| Frame | : W213/5T | Locked rotor current (I _l /I _n) | : 7.2 |
| Output | : 2 HP | Duty cycle | : S1 |
| Frequency | : 60 Hz | Service factor | : 1.00 |
| Full load speed | : 1175 rpm | Design | : --- |
| Voltage | : 208-230/460 V | Locked rotor torque | : 240 % |
| Rated current | : 10.5-10.1/5.05 A | Breakdown torque | : 250 % |
| Insulation class | : B | | |

Notes:
 Downloaded from <http://dealerselectric.com>
 Generated for Model #00212ES1E213T

Performed by

Checked



Notes: Downloaded from <http://dealerselectric.com>
Generated for Model #00212ES1E213T

Performed by:

Checked:

Customer:

Single-Phase : W21 TEFC (IP55)

Single-phase induction motor
Frame W213/5T - IP55

12-SEP-2016



| | | | | |
|--------------|-------------------|------------|-------------|--------------|
| 2E 8.500 | 2F 5.500/7.000 | H 0.406 | BA 3.500 | A 9.764 |
| B 8.858 | C 19.882 | D 5.250 | G 0.866 | J 2.008 |
| K 3.346 | O 10.093 | P 8.750 | ES 2.480 | S 0.313 |
| N-W 3.375 | U 1.375 | R 1.203 | AB 7.953 | AA NPT 1" |
| d1 A4 | | | | |