



Dealers Industrial Equipment

No.:

Date: 12-SEP-2016

Customer :

TECHNICAL PROPOSAL

Three-phase induction motor - Squirrel cage rotor

Product line : W22 High Efficiency

Catalog Number : 00212EP3ER184TC-W22

List Price : \$721

Notes:

Downloaded from <http://dealerselectric.com>

Generated for Model #00212EP3ER184TC-W22

Performed by:

Checked:



Dealers Industrial Equipment

No.:

Date: 12-SEP-2016

DATA SHEET

Three-phase induction motor - Squirrel cage rotor

Customer :
 Product line : W22 High Efficiency

Frame : 184T
 Output : 2 HP
 Frequency : 60 Hz
 Poles : 6
 Full load speed : 1160 rpm
 Slip : 3.33 %
 Voltage : 230/460 V
 Rated current : 5.96/2.98 A
 Locked rotor current : 35.8/17.9 A
 Locked rotor current (I_L/I_n) : 6.0
 No-load current : 3.20/1.60 A
 Full load torque : 8.93 lb.ft
 Locked rotor torque : 210 %
 Breakdown torque : 260 %
 Design : B
 Insulation class : F
 Temperature rise : 80 K
 Locked rotor time : 47 s (hot)
 Service factor : 1.25
 Duty cycle : S1
 Ambient temperature : -20°C - +40°C
 Altitude : 1000 m
 Degree of Protection : IP55
 Approximate weight : 79 lb
 Moment of inertia : 0.56572 sq.ft.lb
 Noise level : 52 dB(A)

	D.E.	N.D.E.
Bearings	6207 ZZ	6206 ZZ
Regreasing interval	---	---
Grease amount	---	---

Load	Power factor	Efficiency (%)
100%	0.73	86.5
75%	0.66	86.5
50%	0.54	84.0

Notes:
 Downloaded from <http://dealerselectric.com>
 Generated for Model #00212EP3ER184TC-W22

Performed by

Checked



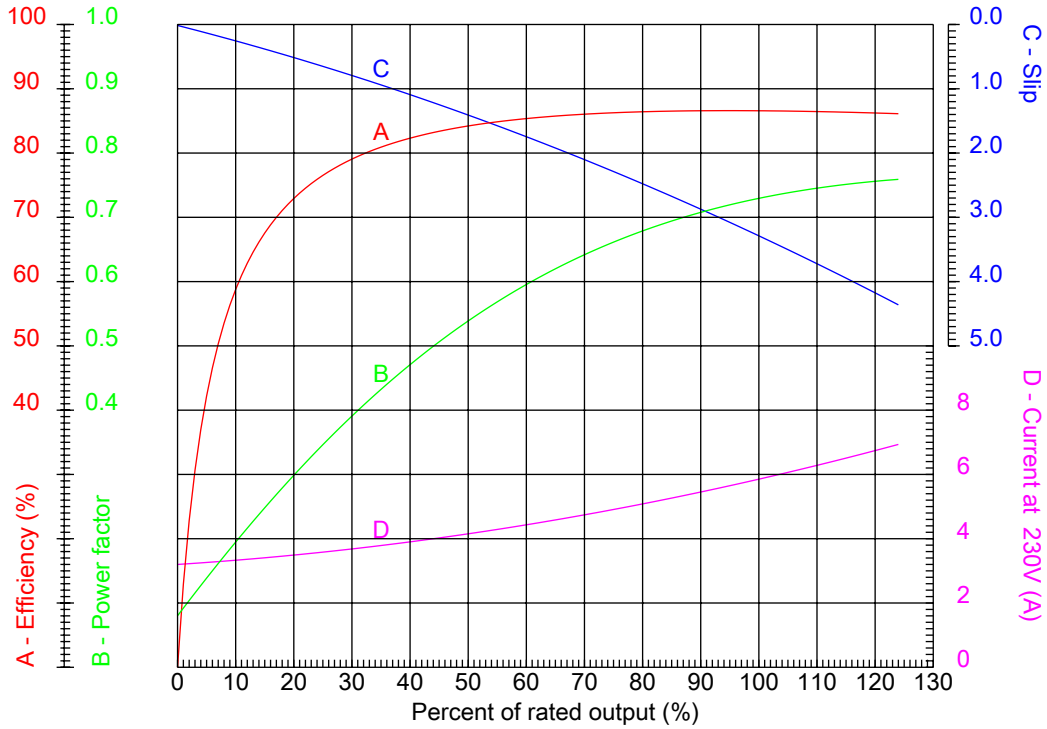
Dealers Industrial Equipment

No.:

Date: 12-SEP-2016

PERFORMANCE CURVES RELATED TO RATED OUTPUT

Three-phase induction motor - Squirrel cage rotor



Customer :
Product line : W22 High Efficiency

Frame : 184T	Locked rotor current (I _L /I _n) : 6.0
Output : 2 HP	Duty cycle : S1
Frequency : 60 Hz	Service factor : 1.25
Full load speed : 1160 rpm	Design : B
Voltage : 230/460 V	Locked rotor torque : 210 %
Rated current : 5.96/2.98 A	Breakdown torque : 260 %
Insulation class : F	

Notes:
Downloaded from <http://dealerselectric.com>
Generated for Model #00212EP3ER184TC-W22

Performed by

Checked



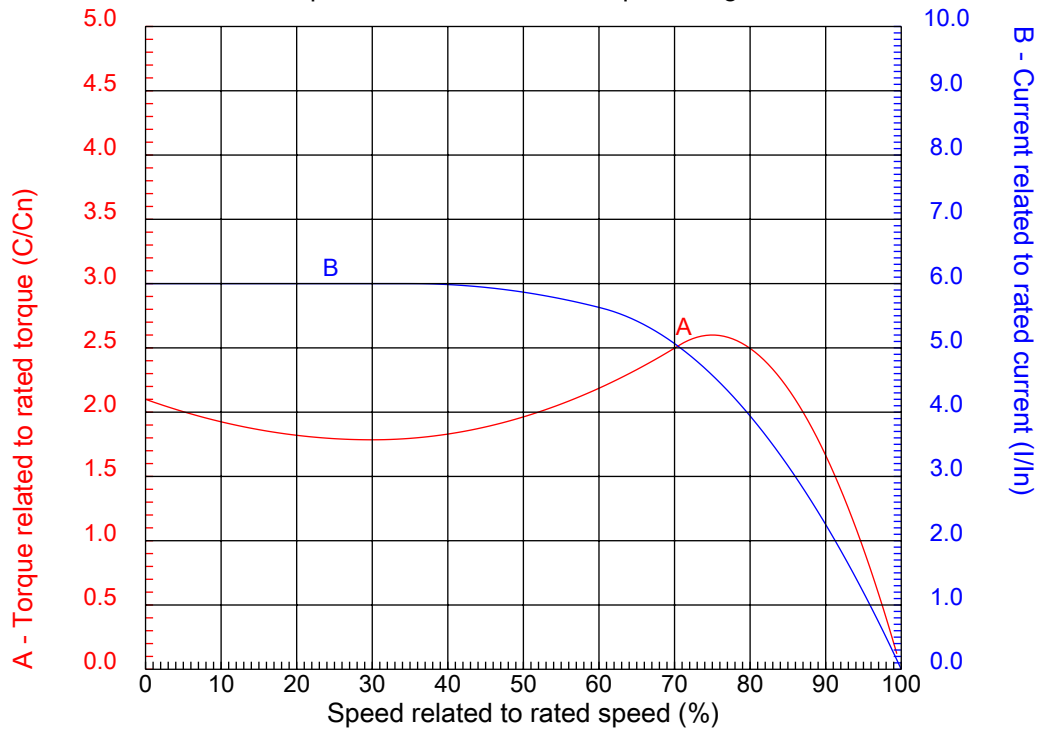
Dealers Industrial Equipment

No.:

Date: 12-SEP-2016

CHARACTERISTIC CURVES RELATED TO SPEED

Three-phase induction motor - Squirrel cage rotor



Customer :
Product line : W22 High Efficiency

Frame	: 184T	Locked rotor current (I _l /I _n)	: 6.0
Output	: 2 HP	Duty cycle	: S1
Frequency	: 60 Hz	Service factor	: 1.25
Full load speed	: 1160 rpm	Design	: B
Voltage	: 230/460 V	Locked rotor torque	: 210 %
Rated current	: 5.96/2.98 A	Breakdown torque	: 260 %
Insulation class	: F		

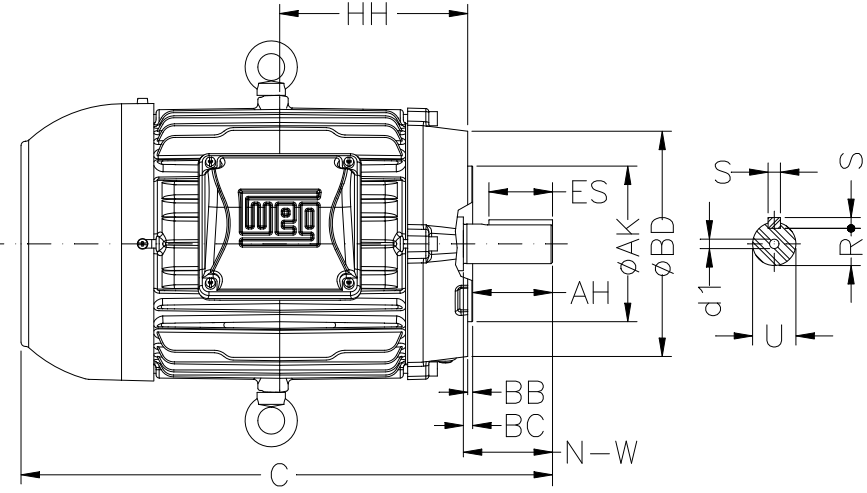
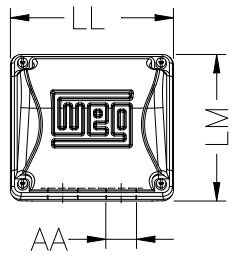
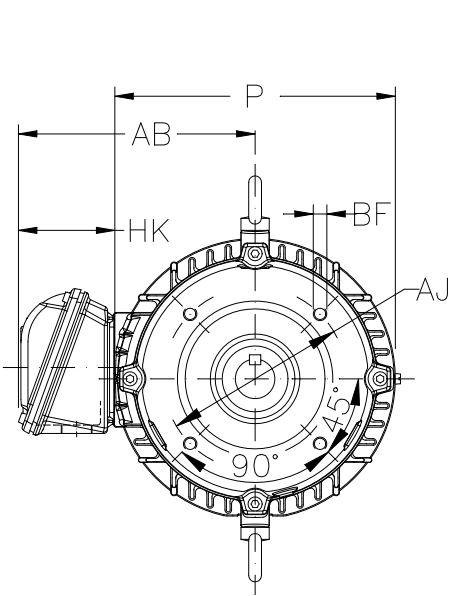
Notes:
Downloaded from <http://dealerselectric.com>
Generated for Model #00212EP3ER184TC-W22

Performed by

Checked

1 2 3 4 5 6 7 8

A
B
C
D
E
F



Notes: Downloaded from <http://dealerselectric.com>
Generated for Model #00212EP3ER184TC-W22

Performed by:

Checked:

Customer:

W22 High Efficiency

Three-phase induction motor
Frame 184T - IP55

12-SEP-2016



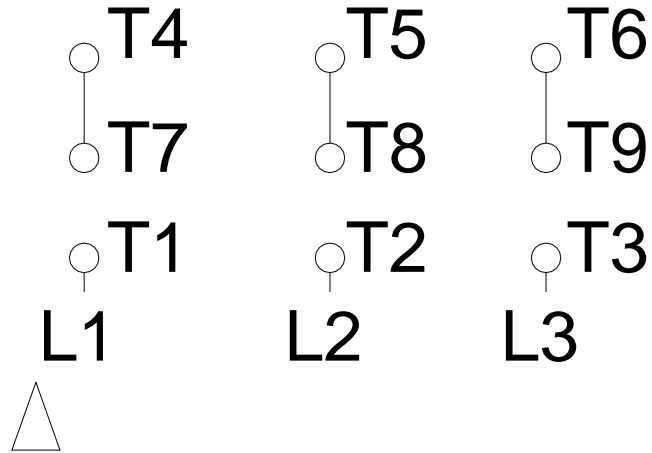
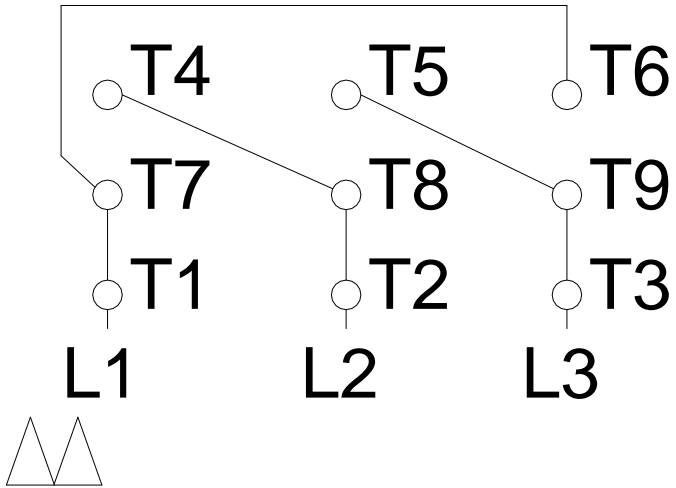
P 8.937	AB 7.565	U 1.125	N-W 2.750	ES 1.969
S 0.250	R 0.984	depth 0.250	HH 5.500	HK 3.150
C 15.860	FC 18.307	LL 5.512	LM 5.236	AA NPT 1"
d1 A 4	Flange FC-184	AJ 7.250	AK 8.500	BD 8.875
BF UNC 1/2"x13	BB 0.250	BC 0.125	AH 2.625	

1 2 3 4 5 6 7 8

LOW VOLTAGE

HIGH VOLTAGE

A
B
C
D
E
F



Notes: Downloaded from <http://dealerselectric.com>
 Generated for Model #00212EP3ER184TC-W22

Performed by:

Checked:

Customer:

W22 High Efficiency

Three-phase induction motor
 Frame 184T - IP55

12-SEP-2016

