



Dealers Industrial Equipment

No.:

Date: 12-SEP-2016

Customer :

TECHNICAL PROPOSAL

Three-phase induction motor - Squirrel cage rotor

Product line : Three-Phase : IEC Tru-Metric - TEFC (IP55) - Aluminum Frame

Catalog Number : 00209EP3YAL132S

List Price : \$1,228

Notes:

Downloaded from <http://dealerselectric.com>

Generated for Model #00209EP3YAL132S

Performed by:

Checked:



# Dealers Industrial Equipment

No.:

Date: 12-SEP-2016

## DATA SHEET Three-phase induction motor - Squirrel cage rotor

Customer :  
 Product line : Three-Phase : IEC Tru-Metric - TEFC (IP55) - Aluminum Frame

Frame : 132S  
 Output : 3 HP  
 Frequency : 60 Hz  
 Poles : 8  
 Full load speed : 875 rpm  
 Slip : 2.78 %  
 Voltage : 460 V  
 Rated current : 4.70 A  
 Locked rotor current : 34.8 A  
 Locked rotor current (I<sub>L</sub>/I<sub>n</sub>) : 7.4  
 No-load current : 2.80 A  
 Full load torque : 17.8 lb.ft  
 Locked rotor torque : 250 %  
 Breakdown torque : 270 %  
 Design : ---  
 Insulation class : F  
 Temperature rise : 80 K  
 Locked rotor time : 20 s (hot)  
 Service factor : 1.15  
 Duty cycle : S1  
 Ambient temperature : -20°C - +40°C  
 Altitude : 1000 m  
 Degree of Protection : IP55  
 Approximate weight : 135 lb  
 Moment of inertia : 1.7862 sq.ft.lb  
 Noise level : 52 dB(A)

	D.E.	N.D.E.
Bearings	6308 ZZ	6207 ZZ
Regreasing interval	---	---
Grease amount	---	---

Load	Power factor	Efficiency (%)
100%	0.70	84.0
75%	0.62	84.0
50%	0.50	82.5

Notes:  
 Downloaded from <http://dealerselectric.com>  
 Generated for Model #00209EP3YAL132S

Performed by

Checked



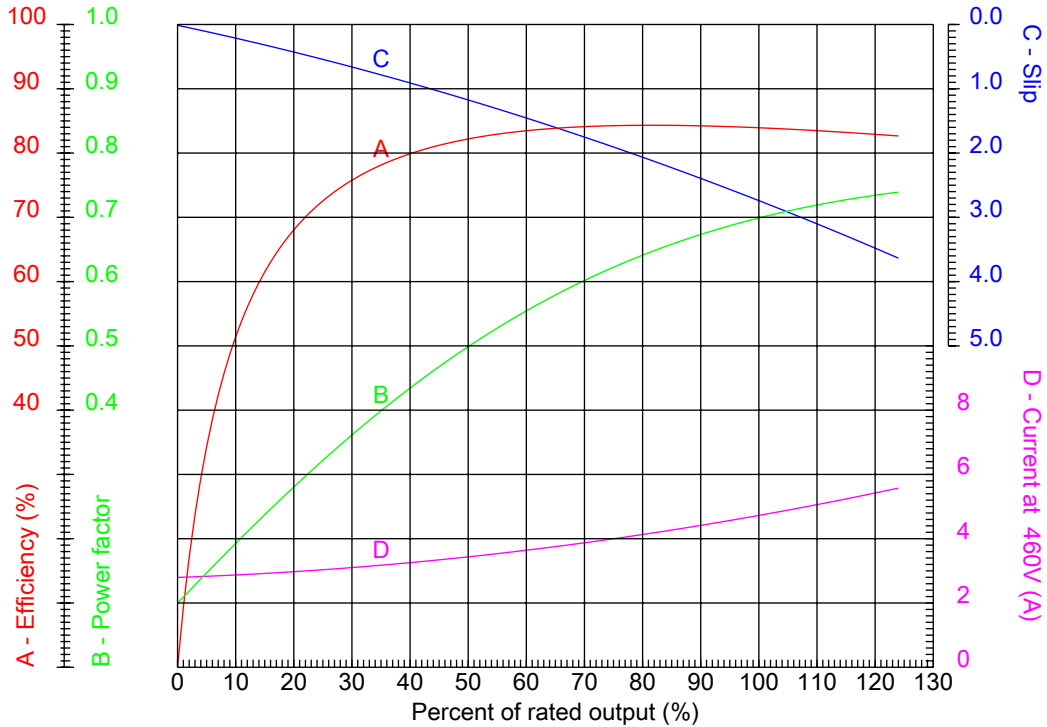
# Dealers Industrial Equipment

No.:

Date: 12-SEP-2016

## PERFORMANCE CURVES RELATED TO RATED OUTPUT

Three-phase induction motor - Squirrel cage rotor



Customer :  
Product line : Three-Phase : IEC Tru-Metric - TEFC (IP55) - Aluminum Frame

Frame : 132S	Locked rotor current (I <sub>L</sub> /I <sub>n</sub> ) : 7.4
Output : 3 HP	Duty cycle : S1
Frequency : 60 Hz	Service factor : 1.15
Full load speed : 875 rpm	Design : ---
Voltage : 460 V	Locked rotor torque : 250 %
Rated current : 4.70 A	Breakdown torque : 270 %
Insulation class : F	

Notes:  
Downloaded from <http://dealerselectric.com>  
Generated for Model #00209EP3YAL132S

Performed by

Checked



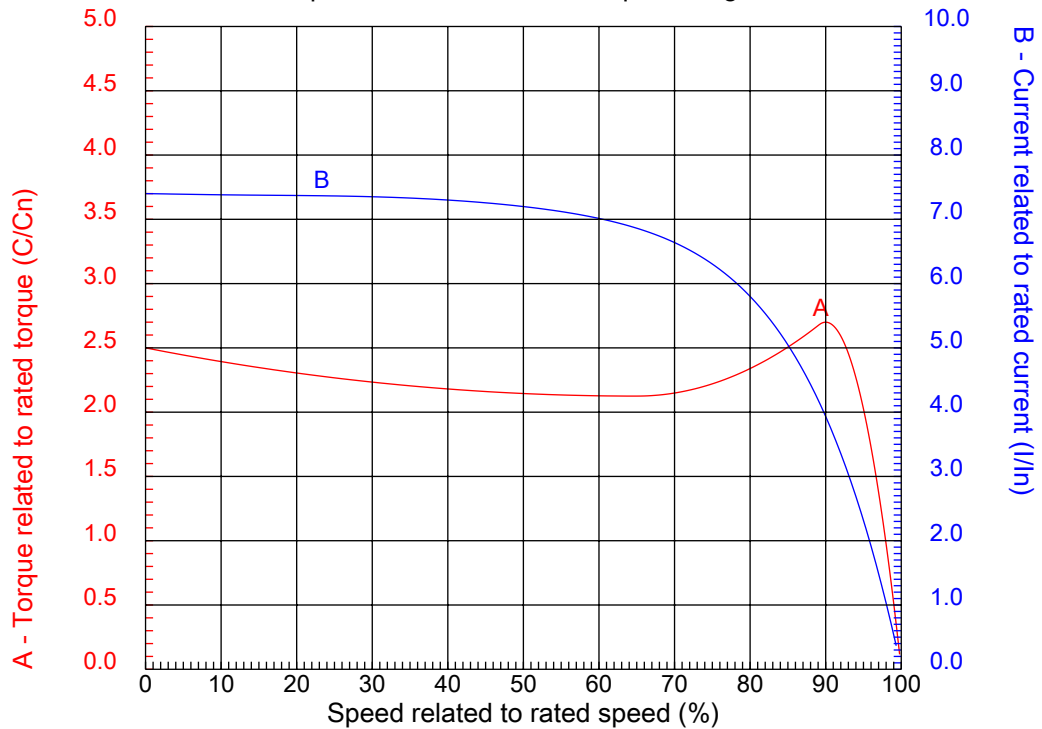
# Dealers Industrial Equipment

No.:

Date: 12-SEP-2016

## CHARACTERISTIC CURVES RELATED TO SPEED

Three-phase induction motor - Squirrel cage rotor



Customer :  
Product line : Three-Phase : IEC Tru-Metric - TEFC (IP55) - Aluminum Frame

Frame	: 132S	Locked rotor current (I <sub>l</sub> /I <sub>n</sub> )	: 7.4
Output	: 3 HP	Duty cycle	: S1
Frequency	: 60 Hz	Service factor	: 1.15
Full load speed	: 875 rpm	Design	: ---
Voltage	: 460 V	Locked rotor torque	: 250 %
Rated current	: 4.70 A	Breakdown torque	: 270 %
Insulation class	: F		

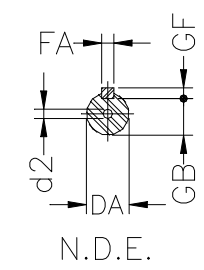
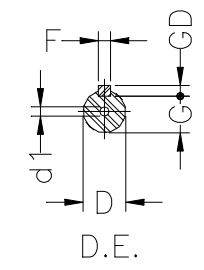
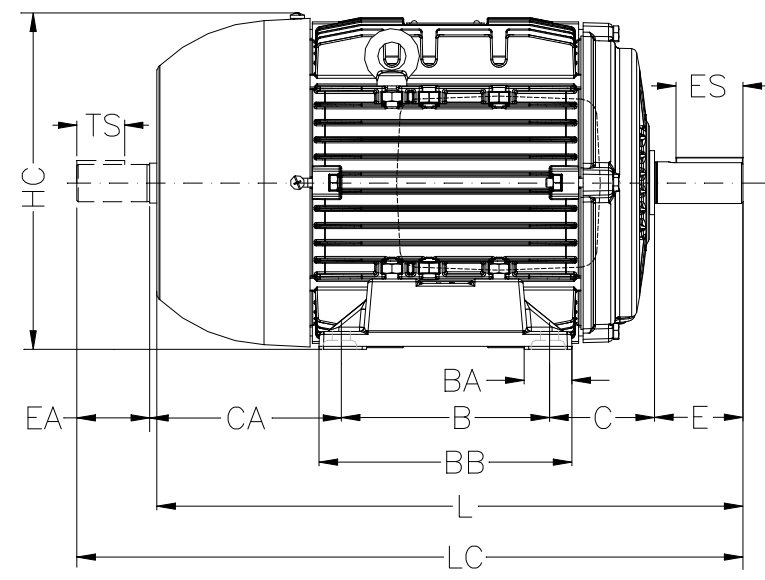
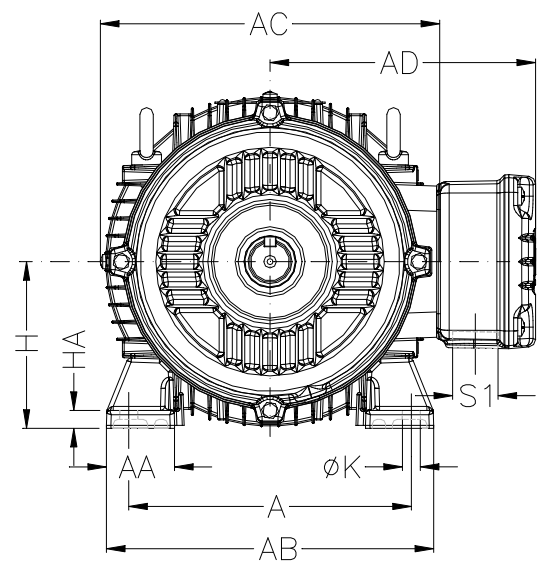
Notes:  
Downloaded from <http://dealerselectric.com>  
Generated for Model #00209EP3YAL132S

Performed by

Checked

1 2 3 4 5 6 7 8

A  
B  
C  
D  
E  
F



Notes: Downloaded from <http://dealerselectric.com>  
Generated for Model #00209EP3YAL132S

A	AA	AB	AC	AD
216	44	248	270	205
B	BA	BB	C	CA
140	37	170	89	150
D	E	ES	F	G
38j6	80	63	10	33
GD	DA	EA	TS	FA
8	28j6	60	45	8
GB	GF	H	HA	HC
24	7	132	12	274
HD	K	L	LC	S1
360	12	490	557	NPT 1"
d1	d2			
DM12	DM10			

Performed by:  
Checked:  
Customer:  
Three-Phase : IEC Tru-Metric - TEFC (IP55) - Aluminum Frame  
Three-phase induction motor  
Frame 132S - IP55  
12-SEP-2016  
