



Dealers Industrial Equipment

No.:

Date: 12-SEP-2016

Customer :

TECHNICAL PROPOSAL

Three-phase induction motor - Squirrel cage rotor

Product line : Brake Motors : Three-Phase - High Efficiency
Catalog Number : 00209EP3EBM213T
List Price : \$>(discontinued)

Notes:
Downloaded from <http://dealerselectric.com>
Generated for Model #00209EP3EBM213T

Performed by:

Checked:



Dealers Industrial Equipment

No.:

Date: 12-SEP-2016

DATA SHEET Three-phase induction motor - Squirrel cage rotor

Customer :
 Product line : Brake Motors : Three-Phase - High Efficiency

Frame : 213T
 Output : 2 HP
 Frequency : 60 Hz
 Poles : 8
 Full load speed : 870 rpm
 Slip : 3.33 %
 Voltage : 230/460 V
 Rated current : 6.92/3.46 A
 Locked rotor current : 45.7/22.8 A
 Locked rotor current (I_L/I_n) : 6.6
 No-load current : 4.40/2.20 A
 Full load torque : 11.9 lb.ft
 Locked rotor torque : 240 %
 Breakdown torque : 290 %
 Design : B
 Insulation class : F
 Temperature rise : 80 K
 Locked rotor time : 43 s (hot)
 Service factor : 1.25
 Duty cycle : S1
 Ambient temperature : -20°C - +40°C
 Altitude : 1000 m
 Degree of Protection : IP55
 Approximate weight : 159 lb
 Moment of inertia : 1.1910 sq.ft.lb
 Noise level : 52 dB(A)

	D.E.	N.D.E.	Load	Power factor	Efficiency (%)
Bearings			100%	0.66	82.5
Regreasing interval			75%	0.53	81.5
Grease amount			50%	0.47	78.5

Notes:
 Downloaded from <http://dealerselectric.com>
 Generated for Model #00209EP3EBM213T

Performed by

Checked



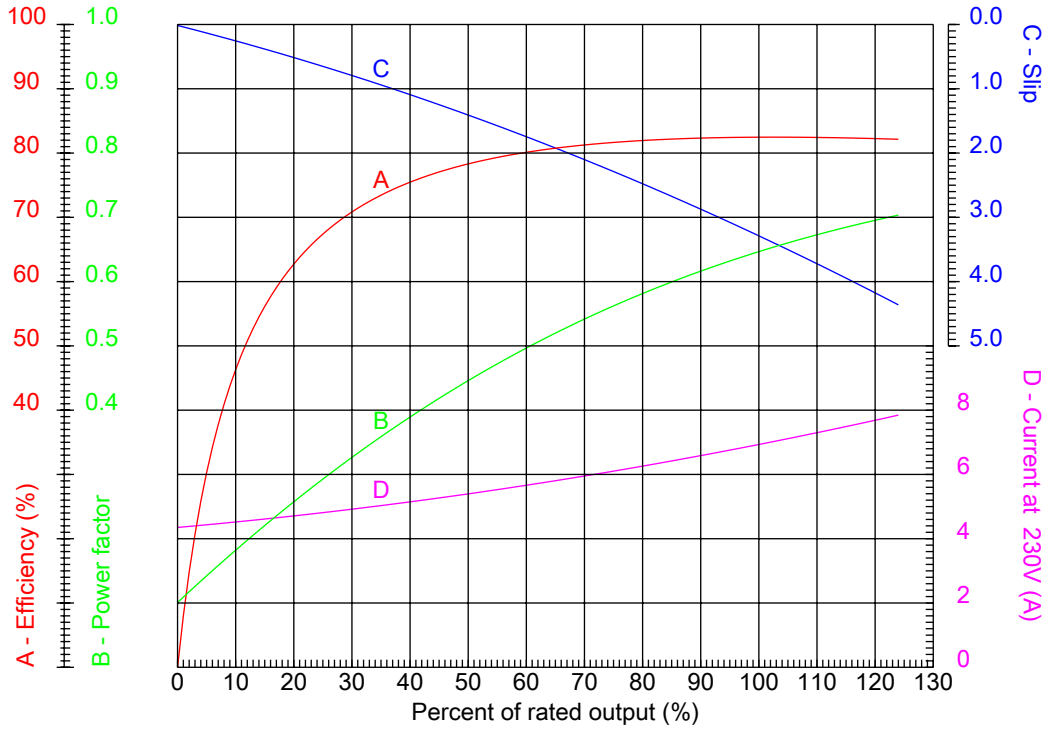
Dealers Industrial Equipment

No.:

Date: 12-SEP-2016

PERFORMANCE CURVES RELATED TO RATED OUTPUT

Three-phase induction motor - Squirrel cage rotor



Customer :
 Product line : Brake Motors : Three-Phase - High Efficiency

Frame	: 213T	Locked rotor current (I _l /I _n)	: 6.6
Output	: 2 HP	Duty cycle	: S1
Frequency	: 60 Hz	Service factor	: 1.25
Full load speed	: 870 rpm	Design	: B
Voltage	: 230/460 V	Locked rotor torque	: 240 %
Rated current	: 6.92/3.46 A	Breakdown torque	: 290 %
Insulation class	: F		

Notes:
 Downloaded from <http://dealerselectric.com>
 Generated for Model #00209EP3EBM213T

Performed by

Checked



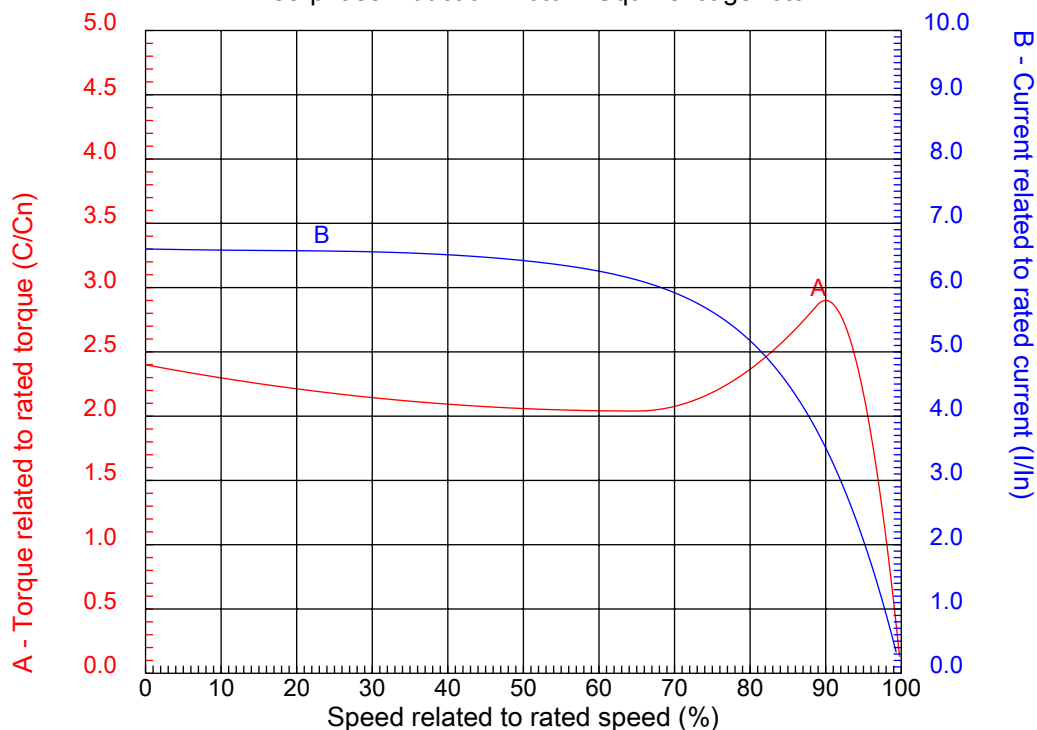
Dealers Industrial Equipment

No.:

Date: 12-SEP-2016

CHARACTERISTIC CURVES RELATED TO SPEED

Three-phase induction motor - Squirrel cage rotor



Customer :
Product line : Brake Motors : Three-Phase - High Efficiency

Frame	: 213T	Locked rotor current (I _l /I _n)	: 6.6
Output	: 2 HP	Duty cycle	: S1
Frequency	: 60 Hz	Service factor	: 1.25
Full load speed	: 870 rpm	Design	: B
Voltage	: 230/460 V	Locked rotor torque	: 240 %
Rated current	: 6.92/3.46 A	Breakdown torque	: 290 %
Insulation class	: F		

Notes:
Downloaded from <http://dealerselectric.com>
Generated for Model #00209EP3EBM213T

Performed by

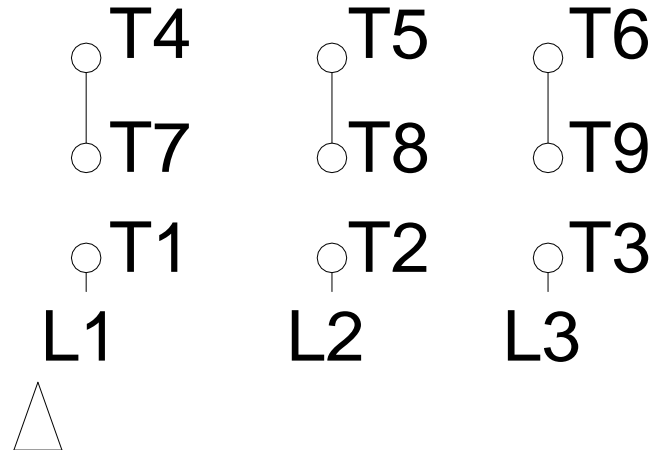
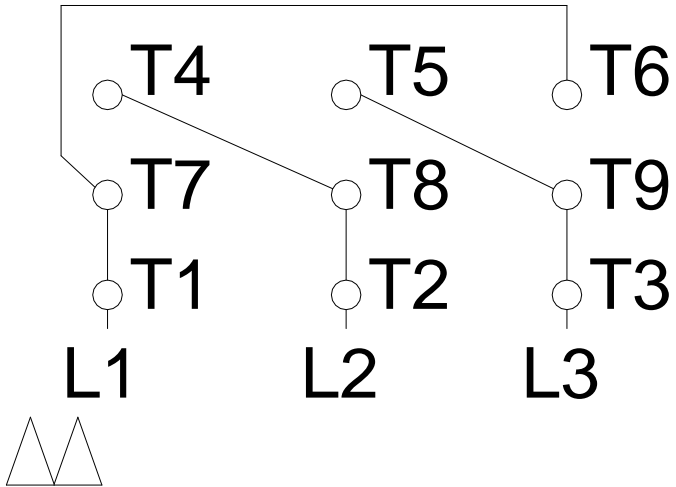
Checked

1 2 3 4 5 6 7 8

LOW VOLTAGE

HIGH VOLTAGE

A
B
C
D
E
F



Notes: Downloaded from <http://dealerselectric.com>
 Generated for Model #00209EP3EBM213T

Performed by:

Checked:

Customer:

Brake Motors : Three-Phase - High Efficiency

Three-phase induction motor
 Frame 213T - IP55

12-SEP-2016

