



Dealers Industrial Equipment

No.:

Date: 12-SEP-2016

Customer :

TECHNICAL PROPOSAL

Three-phase induction motor - Squirrel cage rotor

Product line : W22 Brake Motor - NEMA Premium Efficiency

Catalog Number : 00159ET3EBM184T-W22

List Price : \$2,703

Notes:

Downloaded from <http://dealerselectric.com>

Generated for Model #00159ET3EBM184T-W22

Performed by:

Checked:



Dealers Industrial Equipment

No.:

Date: 12-SEP-2016

DATA SHEET Three-phase induction motor - Squirrel cage rotor

Customer :
 Product line : W22 Brake Motor - NEMA Premium Efficiency

Frame : 182/4T
 Output : 1.5 HP
 Frequency : 60 Hz
 Poles : 8
 Full load speed : 860 rpm
 Slip : 4.44 %
 Voltage : 208-230/460 V
 Rated current : 5.97-5.40/2.70 A
 Locked rotor current : 29.7/14.9 A
 Locked rotor current (I_L/I_n) : 5.5
 No-load current : 3.63/1.81 A
 Full load torque : 9.04 lb.ft
 Locked rotor torque : 250 %
 Breakdown torque : 260 %
 Design : B
 Insulation class : F
 Temperature rise : 80 K
 Locked rotor time : 17 s (hot)
 Service factor : 1.25
 Duty cycle : S1
 Ambient temperature : -20°C - +40°C
 Altitude : 1000 m
 Degree of Protection : IP55
 Approximate weight : 124 lb
 Moment of inertia : 0.57664 sq.ft.lb
 Noise level : 50 dB(A)

| | D.E. | N.D.E. |
|---------------------|---------|---------|
| Bearings | 6207 ZZ | 6206 ZZ |
| Regreasing interval | --- | --- |
| Grease amount | --- | --- |

| Load | Power factor | Efficiency (%) |
|------|--------------|----------------|
| 100% | 0.62 | 82.5 |
| 75% | 0.54 | 82.5 |
| 50% | 0.43 | 80.0 |

Notes:
 Downloaded from <http://dealerselectric.com>
 Generated for Model #00159ET3EBM184T-W22

Performed by

Checked



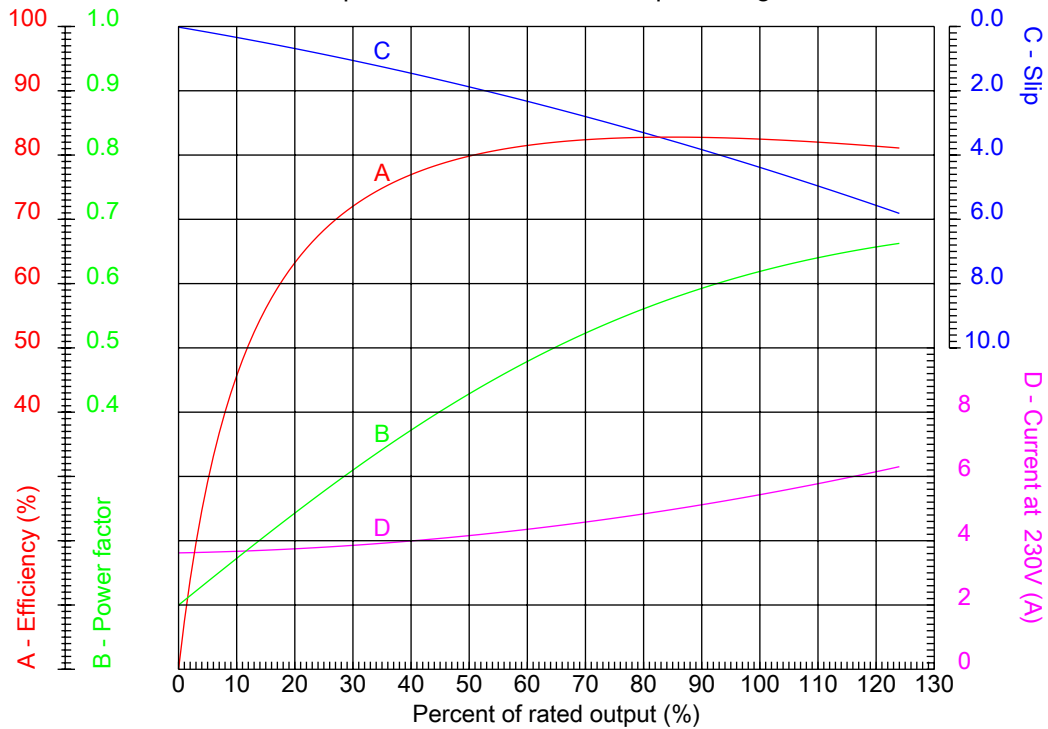
Dealers Industrial Equipment

No.:

Date: 12-SEP-2016

PERFORMANCE CURVES RELATED TO RATED OUTPUT

Three-phase induction motor - Squirrel cage rotor



Customer :
Product line : W22 Brake Motor - NEMA Premium Efficiency

| | | | |
|------------------|--------------------|--|---------|
| Frame | : 182/4T | Locked rotor current (I _L /I _n) | : 5.5 |
| Output | : 1.5 HP | Duty cycle | : S1 |
| Frequency | : 60 Hz | Service factor | : 1.25 |
| Full load speed | : 860 rpm | Design | : B |
| Voltage | : 208-230/460 V | Locked rotor torque | : 250 % |
| Rated current | : 5.97-5.40/2.70 A | Breakdown torque | : 260 % |
| Insulation class | : F | | |

Notes:
Downloaded from <http://dealerselectric.com>
Generated for Model #00159ET3EBM184T-W22

Performed by

Checked



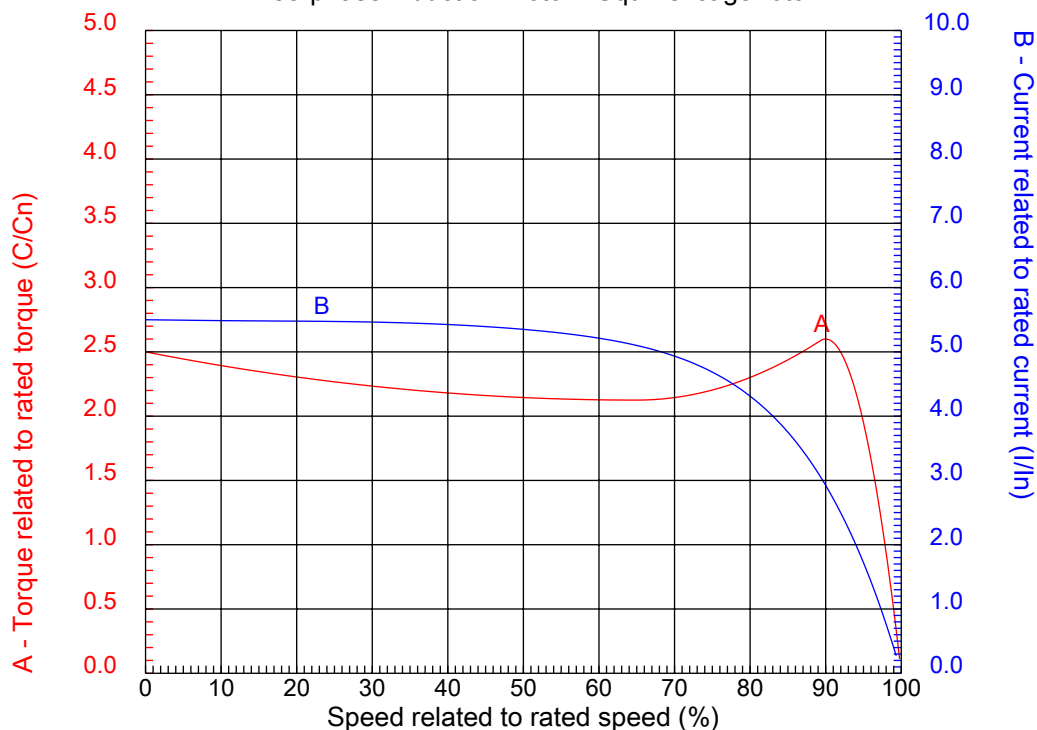
Dealers Industrial Equipment

No.:

Date: 12-SEP-2016

CHARACTERISTIC CURVES RELATED TO SPEED

Three-phase induction motor - Squirrel cage rotor



Customer :
Product line : W22 Brake Motor - NEMA Premium Efficiency

| | | | |
|------------------|--------------------|--|---------|
| Frame | : 182/4T | Locked rotor current (I _l /I _n) | : 5.5 |
| Output | : 1.5 HP | Duty cycle | : S1 |
| Frequency | : 60 Hz | Service factor | : 1.25 |
| Full load speed | : 860 rpm | Design | : B |
| Voltage | : 208-230/460 V | Locked rotor torque | : 250 % |
| Rated current | : 5.97-5.40/2.70 A | Breakdown torque | : 260 % |
| Insulation class | : F | | |

Notes:
Downloaded from <http://dealerselectric.com>
Generated for Model #00159ET3EBM184T-W22

Performed by

Checked

1 2 3 4 5 6 7 8

A

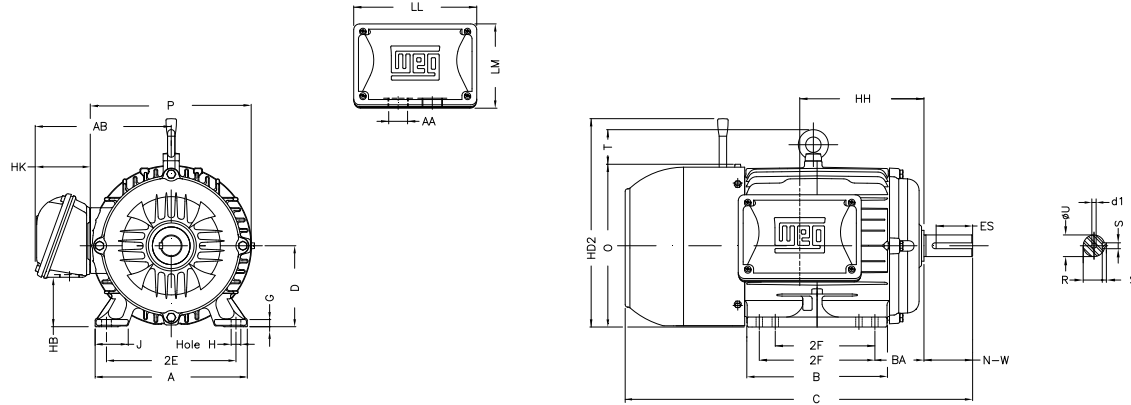
B

C

D

E

F



Notes: Downloaded from <http://dealerselectric.com>
Generated for Model #00159ET3EBM184T-W22

Performed by:

Checked:

Customer:

W22 Brake Motor - NEMA Premium Efficiency

Three-phase induction motor
Frame 182/4T - IP55

12-SEP-2016



| | | | | |
|-------------------|-------------|---------------|-------------|--------------|
| 2E 7.500 | J 1.614 | A 8.661 | P 8.740 | AB 7.513 |
| 2F 4.500/5.500 | B 6.969 | BA 2.750 | U 1.125 | N-W 2.750 |
| ES 1.969 | S 0.250 | R 0.984 | D 4.500 | G 0.394 |
| HB 2.216 | O 9.343 | HF 4.500 | HH 5.500 | HK 3.117 |
| H 0.406 | C 19.314 | LL 6.575 | LM 5.246 | AA NPT 1" |
| HD' 7.728 | d1 A 4 | HD2 12.138 | T 1.772 | |

1 2 3 4 5 6 7 8

LOW VOLTAGE

HIGH VOLTAGE

A
B
C
D
E
F



Notes: Downloaded from <http://dealerselectric.com>
 Generated for Model #00159ET3EBM184T-W22

Performed by:

Checked:

Customer:

W22 Brake Motor - NEMA Premium Efficiency

Three-phase induction motor
 Frame 182/4T - IP55

12-SEP-2016

