



Dealers Industrial Equipment

No.:

Date: 12-SEP-2016

Customer :

TECHNICAL PROPOSAL

Three-phase induction motor - Squirrel cage rotor

Product line : Three-Phase : IEC Tru-Metric - TEFC (IP55) - Aluminum Frame

Catalog Number : 00159EP3YAL112M

List Price : \$870

Notes:

Downloaded from <http://dealerselectric.com>

Generated for Model #00159EP3YAL112M

Performed by:

Checked:



Dealers Industrial Equipment

No.:

Date: 12-SEP-2016

DATA SHEET Three-phase induction motor - Squirrel cage rotor

Customer :
 Product line : Three-Phase : IEC Tru-Metric - TEFC (IP55) - Aluminum Frame

Frame : 112M
 Output : 2 HP
 Frequency : 60 Hz
 Poles : 8
 Full load speed : 870 rpm
 Slip : 3.33 %
 Voltage : 460 V
 Rated current : 4.08 A
 Locked rotor current : 23.3 A
 Locked rotor current (I_L/I_n) : 5.7
 No-load current : 3.50 A
 Full load torque : 11.9 lb.ft
 Locked rotor torque : 350 %
 Breakdown torque : 380 %
 Design : ---
 Insulation class : F
 Temperature rise : 80 K
 Locked rotor time : 17 s (hot)
 Service factor : 1.15
 Duty cycle : S1
 Ambient temperature : -20°C - +40°C
 Altitude : 1000 m
 Degree of Protection : IP55
 Approximate weight : 85 lb
 Moment of inertia : 0.57664 sq.ft.lb
 Noise level : 50 dB(A)

	D.E.	N.D.E.
Bearings	6307 ZZ	6206 ZZ
Regreasing interval	---	---
Grease amount	---	---

Load	Power factor	Efficiency (%)
100%	0.56	82.5
75%	0.47	80.0
50%	0.35	77.0

Notes:
 Downloaded from <http://dealerselectric.com>
 Generated for Model #00159EP3YAL112M

Performed by

Checked



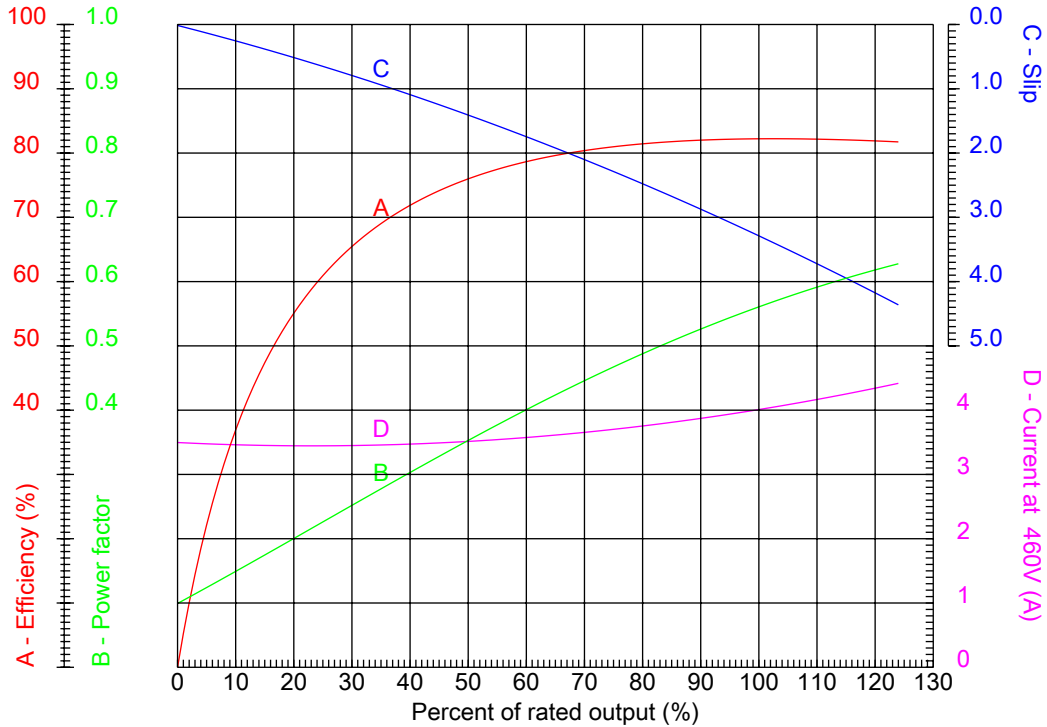
Dealers Industrial Equipment

No.:

Date: 12-SEP-2016

PERFORMANCE CURVES RELATED TO RATED OUTPUT

Three-phase induction motor - Squirrel cage rotor



Customer :
 Product line : Three-Phase : IEC Tru-Metric - TEFC (IP55) - Aluminum Frame

Frame : 112M	Locked rotor current (I _l /I _n) : 5.7
Output : 2 HP	Duty cycle : S1
Frequency : 60 Hz	Service factor : 1.15
Full load speed : 870 rpm	Design : ---
Voltage : 460 V	Locked rotor torque : 350 %
Rated current : 4.08 A	Breakdown torque : 380 %
Insulation class : F	

Notes:
 Downloaded from <http://dealerselectric.com>
 Generated for Model #00159EP3YAL112M

Performed by

Checked



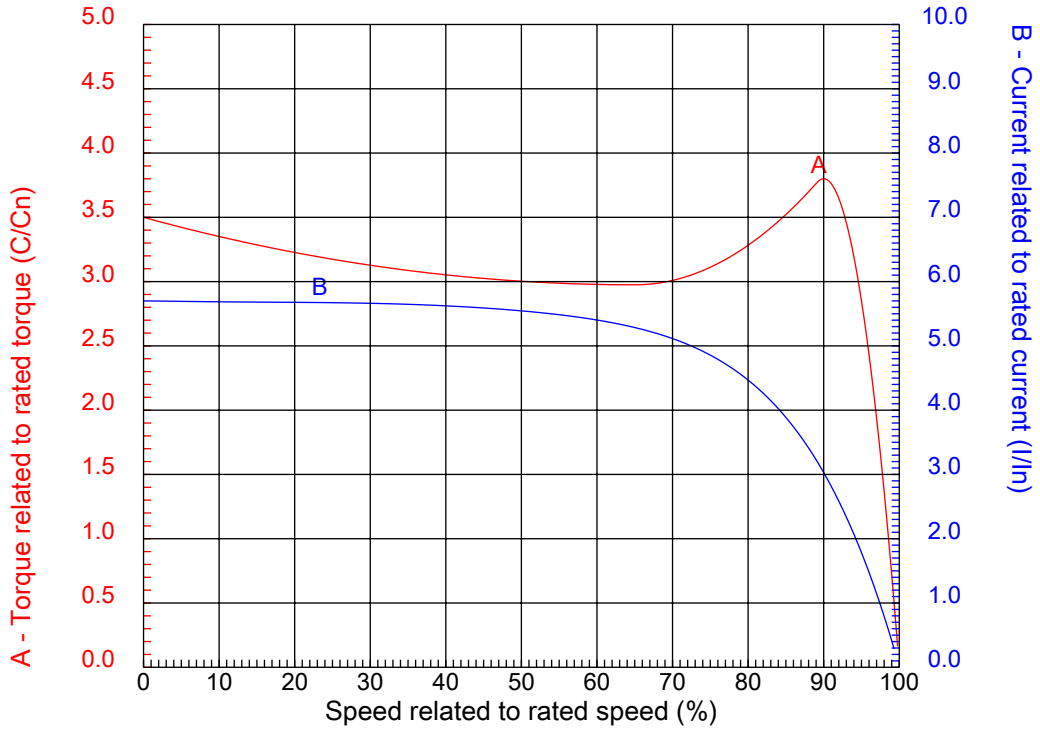
Dealers Industrial Equipment

No.:

Date: 12-SEP-2016

CHARACTERISTIC CURVES RELATED TO SPEED

Three-phase induction motor - Squirrel cage rotor



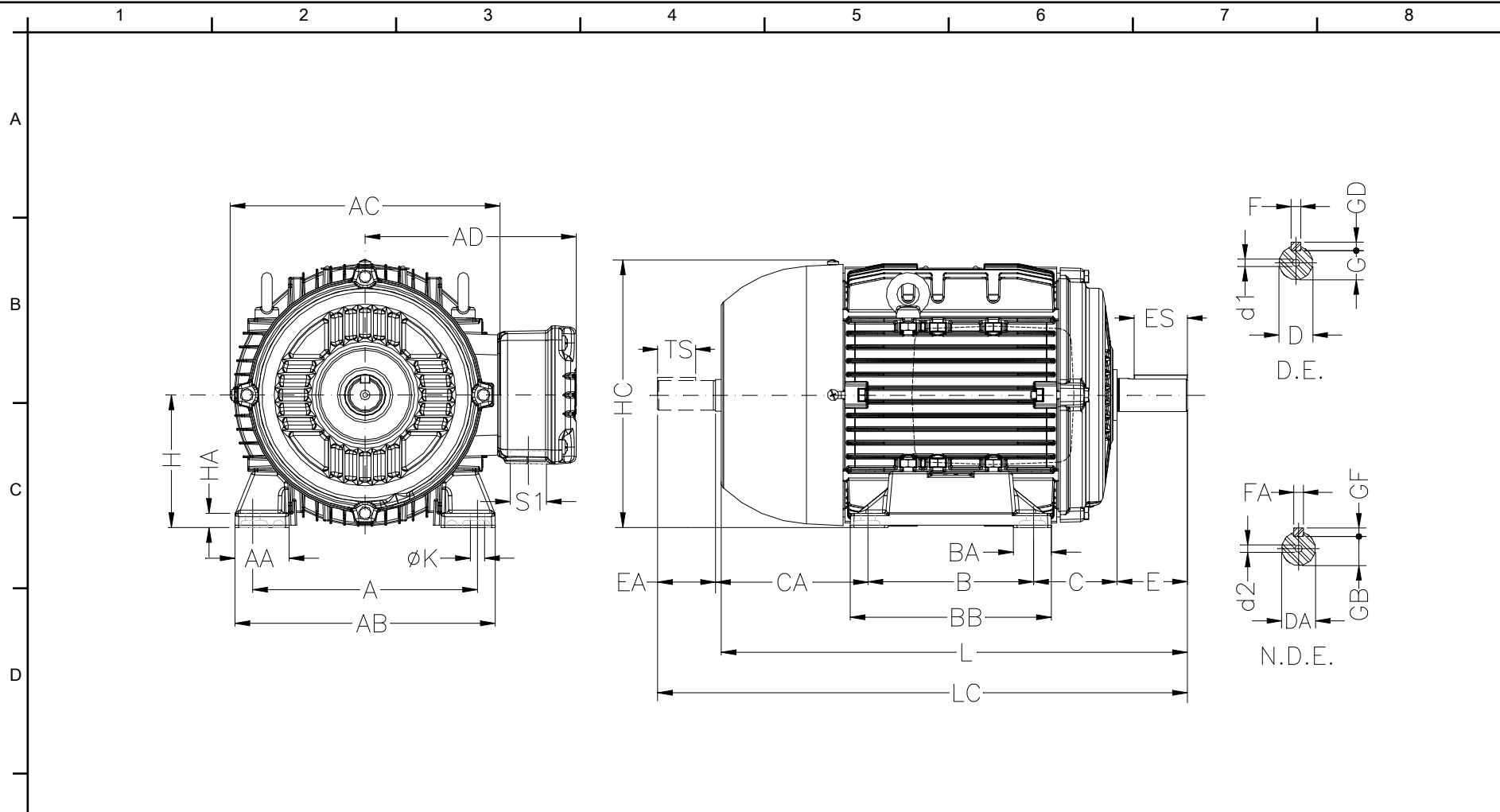
Customer :
Product line : Three-Phase : IEC Tru-Metric - TEFC (IP55) - Aluminum Frame

Frame	: 112M	Locked rotor current (I _l /I _n)	: 5.7
Output	: 2 HP	Duty cycle	: S1
Frequency	: 60 Hz	Service factor	: 1.15
Full load speed	: 870 rpm	Design	: ---
Voltage	: 460 V	Locked rotor torque	: 350 %
Rated current	: 4.08 A	Breakdown torque	: 380 %
Insulation class	: F		

Notes:
Downloaded from <http://dealerselectric.com>
Generated for Model #00159EP3YAL112M

Performed by

Checked



Notes: Downloaded from <http://dealerselectric.com>
 Generated for Model #00159EP3YAL112M

A	AA	AB	AC	AD
190	46	220	223	185
B	BA	BB	C	CA
140	32	170	70	128
D	E	ES	F	G
28j6	60	45	8	24
GD	DA	EA	TS	FA
7	24j6	50	36	8
GB	GF	H	HA	HC
20	7	112	12	235
HD	K	L	LC	S1
312	12	393	448	NPT 1"
d1	d2			
DM10	DM8			

Performed by:


Checked:

Customer:

Three-Phase : IEC Tru-Metric - TEFC (IP55) - Aluminum Frame

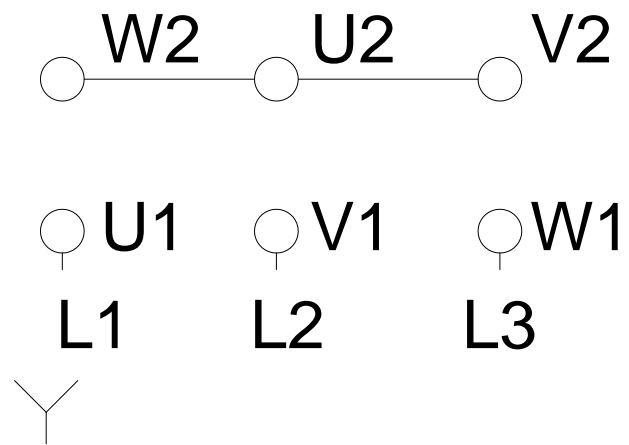
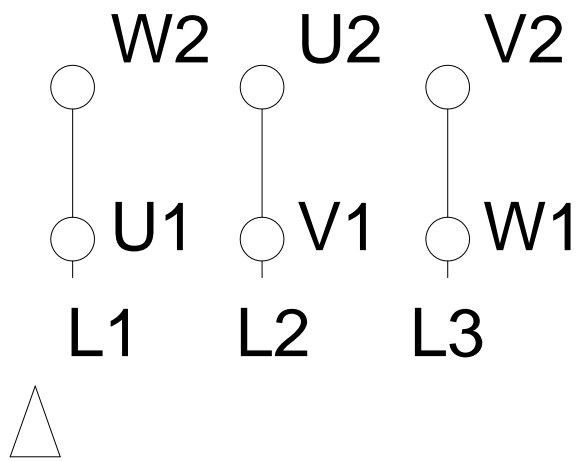
Three-phase induction motor
 Frame 112M - IP55

12-SEP-2016



LOW VOLTAGE

HIGH VOLTAGE



Notes: Downloaded from http://dealerselectric.com Generated for Model #00159EP3YAL112M		
Performed by:		
Checked:		
Customer:		
Three-Phase : IEC Tru-Metric - TEFC (IP55) - Aluminum Frame		
Three-phase induction motor Frame 112M - IP55	12-SEP-2016	