



Dealers Industrial Equipment

No.:

Date: 12-SEP-2016

Customer :

TECHNICAL PROPOSAL

Three-phase induction motor - Squirrel cage rotor

Product line : Brake Motors : Three-Phase - High Efficiency  
Catalog Number : 00159EP3EBM184T  
List Price : \$>(discontinued)</span>

Notes:  
Downloaded from <http://dealerselectric.com>  
Generated for Model #00159EP3EBM184T

Performed by:

Checked:



# Dealers Industrial Equipment

No.:

Date: 12-SEP-2016

## DATA SHEET Three-phase induction motor - Squirrel cage rotor

Customer :  
 Product line : Brake Motors : Three-Phase - High Efficiency

Frame : 184T  
 Output : 1.5 HP  
 Frequency : 60 Hz  
 Poles : 8  
 Full load speed : 860 rpm  
 Slip : 4.44 %  
 Voltage : 230/460 V  
 Rated current : 5.44/2.72 A  
 Locked rotor current : 29.9/15.0 A  
 Locked rotor current (I<sub>L</sub>/I<sub>n</sub>) : 5.5  
 No-load current : 3.62/1.81 A  
 Full load torque : 9.04 lb.ft  
 Locked rotor torque : 250 %  
 Breakdown torque : 260 %  
 Design : B  
 Insulation class : F  
 Temperature rise : 80 K  
 Locked rotor time : 32 s (hot)  
 Service factor : 1.25  
 Duty cycle : S1  
 Ambient temperature : -20°C - +40°C  
 Altitude : 1000 m  
 Degree of Protection : IP55  
 Approximate weight : 121 lb  
 Moment of inertia : 0.44375 sq.ft.lb  
 Noise level : 50 dB(A)

	D.E.	N.D.E.
Bearings	6307 ZZ	6206 ZZ
Regreasing interval	---	---
Grease amount	---	---

Load	Power factor	Efficiency (%)
100%	0.66	77.0
75%	0.58	75.5
50%	0.47	74.0

Notes:  
 Downloaded from <http://dealerselectric.com>  
 Generated for Model #00159EP3EBM184T

Performed by

Checked



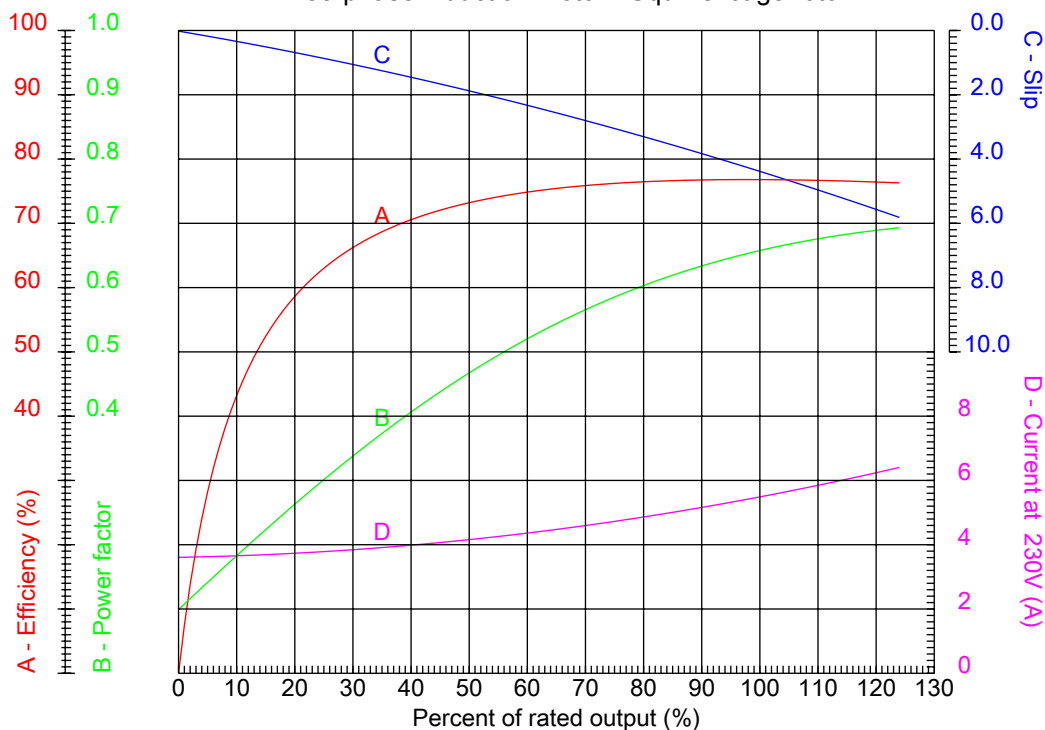
# Dealers Industrial Equipment

No.:

Date: 12-SEP-2016

## PERFORMANCE CURVES RELATED TO RATED OUTPUT

Three-phase induction motor - Squirrel cage rotor



Customer :  
Product line : Brake Motors : Three-Phase - High Efficiency

Frame : 184T	Locked rotor current (I <sub>l</sub> /I <sub>n</sub> ) : 5.5
Output : 1.5 HP	Duty cycle : S1
Frequency : 60 Hz	Service factor : 1.25
Full load speed : 860 rpm	Design : B
Voltage : 230/460 V	Locked rotor torque : 250 %
Rated current : 5.44/2.72 A	Breakdown torque : 260 %
Insulation class : F	

Notes:  
Downloaded from <http://dealerselectric.com>  
Generated for Model #00159EP3EBM184T

Performed by

Checked



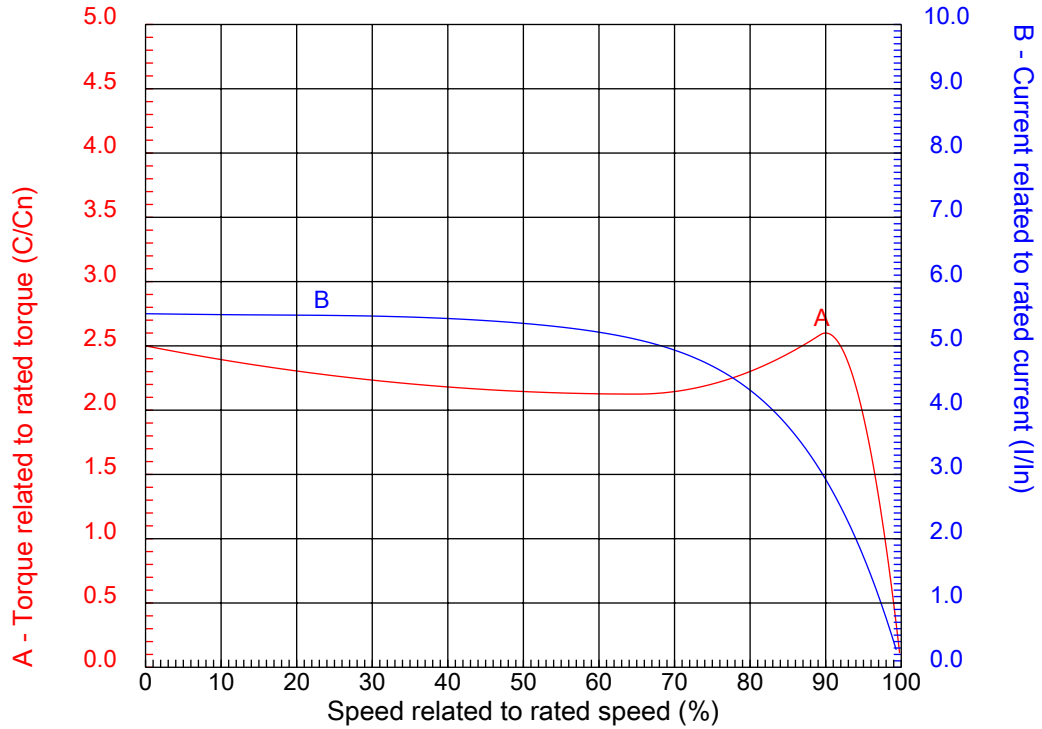
# Dealers Industrial Equipment

No.:

Date: 12-SEP-2016

## CHARACTERISTIC CURVES RELATED TO SPEED

Three-phase induction motor - Squirrel cage rotor



Customer :  
Product line : Brake Motors : Three-Phase - High Efficiency

Frame	: 184T	Locked rotor current (I <sub>l</sub> /I <sub>n</sub> )	: 5.5
Output	: 1.5 HP	Duty cycle	: S1
Frequency	: 60 Hz	Service factor	: 1.25
Full load speed	: 860 rpm	Design	: B
Voltage	: 230/460 V	Locked rotor torque	: 250 %
Rated current	: 5.44/2.72 A	Breakdown torque	: 260 %
Insulation class	: F		

Notes:  
Downloaded from <http://dealerselectric.com>  
Generated for Model #00159EP3EBM184T

Performed by

Checked

1 2 3 4 5 6 7 8

A

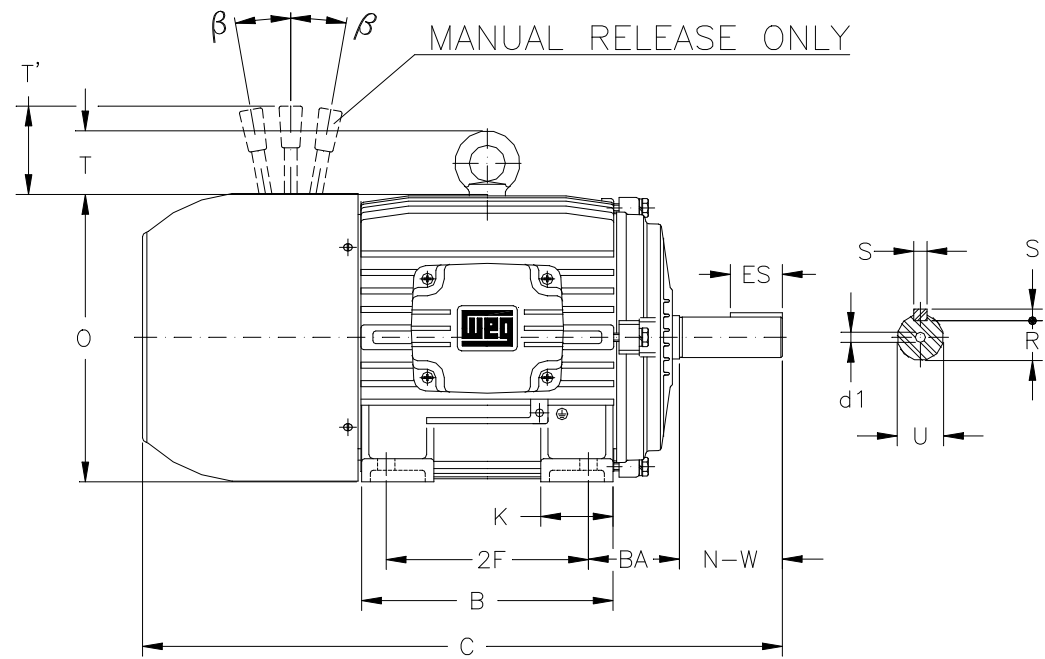
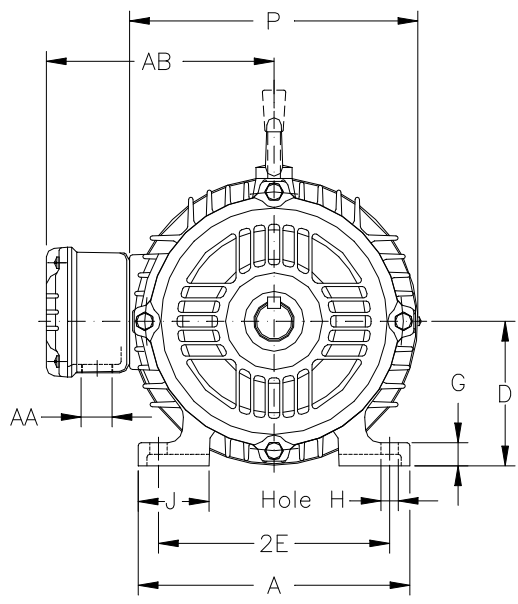
B

C

D

E

F



Notes: Downloaded from <http://dealerselectric.com>  
Generated for Model #00159EP3EBM184T

Performed by:

Checked:

Customer:

Brake Motors : Three-Phase - High Efficiency

Three-phase induction motor  
Frame 184T - IP55

12-SEP-2016



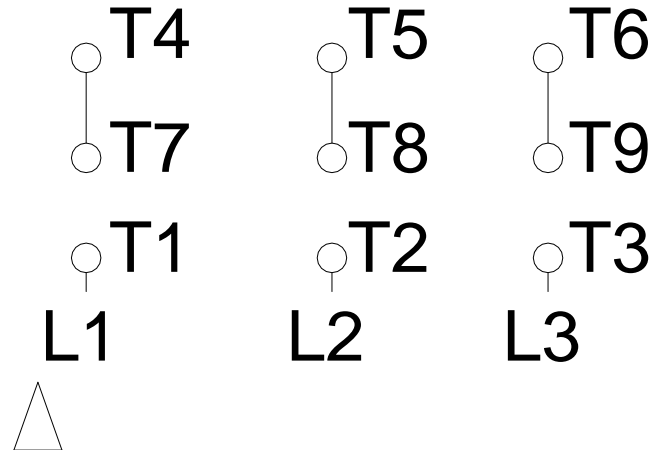
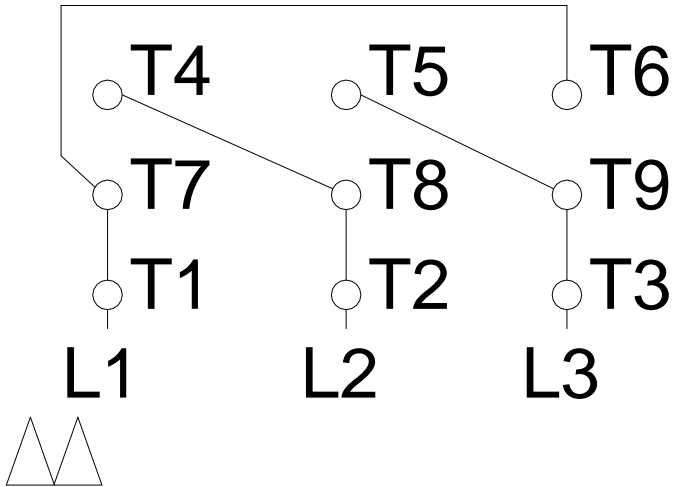
2E 7.500	A 8.661	2F 5.500	B 6.969	BA 2.750
J 1.890	K 1.969	P 8.740	ES 1.969	depth 0.250
S 0.250	N-W 2.750	U 1.125	R 0.984	AB 7.047
D 4.500	G 0.799	O 9.343	T 1.772	H 0.406
C 19.246	AA NPT 1"	d1 A 4	d2 A 4	

1 2 3 4 5 6 7 8

# LOW VOLTAGE

# HIGH VOLTAGE

A  
B  
C  
D  
E  
F



Notes: Downloaded from <http://dealerselectric.com>  
 Generated for Model #00159EP3EBM184T

Performed by:

Checked:

Customer:

Brake Motors : Three-Phase - High Efficiency

Three-phase induction motor  
 Frame 184T - IP55

12-SEP-2016

