



Dealers Industrial Equipment

No.:

Date: 12-SEP-2016

Customer :

TECHNICAL PROPOSAL

Three-phase induction motor - Squirrel cage rotor

Product line : Three-Phase: Fractional Explosion Proof Motors

Catalog Number : 00158XS3E56HC

List Price : \$1,073

Notes:

Downloaded from <http://dealerselectric.com>

Generated for Model #00158XS3E56HC

Performed by:

Checked:



Dealers Industrial Equipment

No.:

Date: 12-SEP-2016

DATA SHEET

Three-phase induction motor - Squirrel cage rotor

Customer :
 Product line : Three-Phase: Fractional Explosion Proof Motors

Frame : 56H
 Output : 1.5 HP
 Frequency : 60 Hz
 Poles : 4
 Full load speed : 1725 rpm
 Slip : 4.17 %
 Voltage : 208-230/460 V
 Rated current : 4.29-3.88/1.94 A
 Locked rotor current : 29.1/14.6 A
 Locked rotor current (I_L/I_n) : 7.5
 No-load current : 2.00/1.00 A
 Full load torque : 4.51 lb.ft
 Locked rotor torque : 250 %
 Breakdown torque : 350 %
 Design : A
 Insulation class : F
 Temperature rise : 80 K
 Locked rotor time : 6 s (hot)
 Service factor : 1.00
 Duty cycle : S1
 Ambient temperature : -20°C - +50°C
 Altitude : 1000 m
 Degree of Protection : IP55
 Approximate weight : 39 lb
 Moment of inertia : 0.00973 sq.ft.lb
 Noise level : ---

| | D.E. | N.D.E. |
|---------------------|---------|---------|
| Bearings | 6203 ZZ | 6203 ZZ |
| Regreasing interval | --- | --- |
| Grease amount | --- | --- |

| Load | Power factor | Efficiency (%) |
|------|--------------|----------------|
| 100% | 0.84 | 84.7 |
| 75% | 0.78 | 84.0 |
| 50% | 0.67 | 81.0 |

Notes:
 Downloaded from <http://dealerselectric.com>
 Generated for Model #00158XS3E56HC

Performed by

Checked



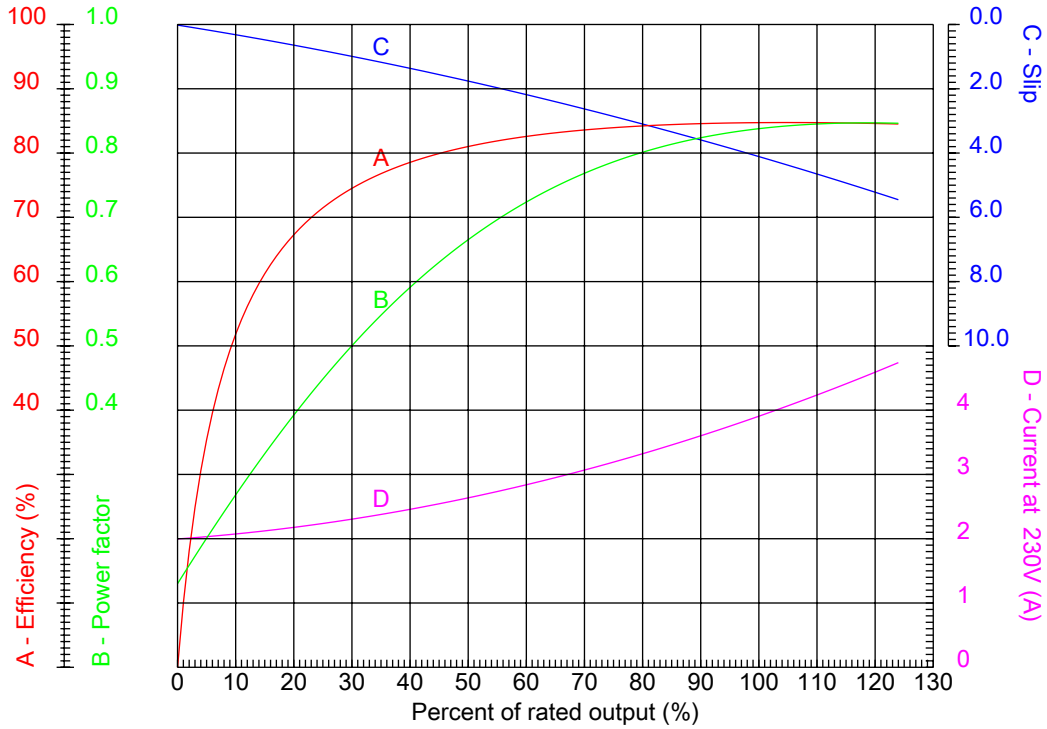
Dealers Industrial Equipment

No.:

Date: 12-SEP-2016

PERFORMANCE CURVES RELATED TO RATED OUTPUT

Three-phase induction motor - Squirrel cage rotor



Customer :
 Product line : Three-Phase: Fractional Explosion Proof Motors

| | | | |
|------------------|--------------------|--|---------|
| Frame | : 56H | Locked rotor current (I _l /I _n) | : 7.5 |
| Output | : 1.5 HP | Duty cycle | : S1 |
| Frequency | : 60 Hz | Service factor | : 1.00 |
| Full load speed | : 1725 rpm | Design | : A |
| Voltage | : 208-230/460 V | Locked rotor torque | : 250 % |
| Rated current | : 4.29-3.88/1.94 A | Breakdown torque | : 350 % |
| Insulation class | : F | | |

Notes:
 Downloaded from <http://dealerselectric.com>
 Generated for Model #00158XS3E56HC

Performed by

Checked



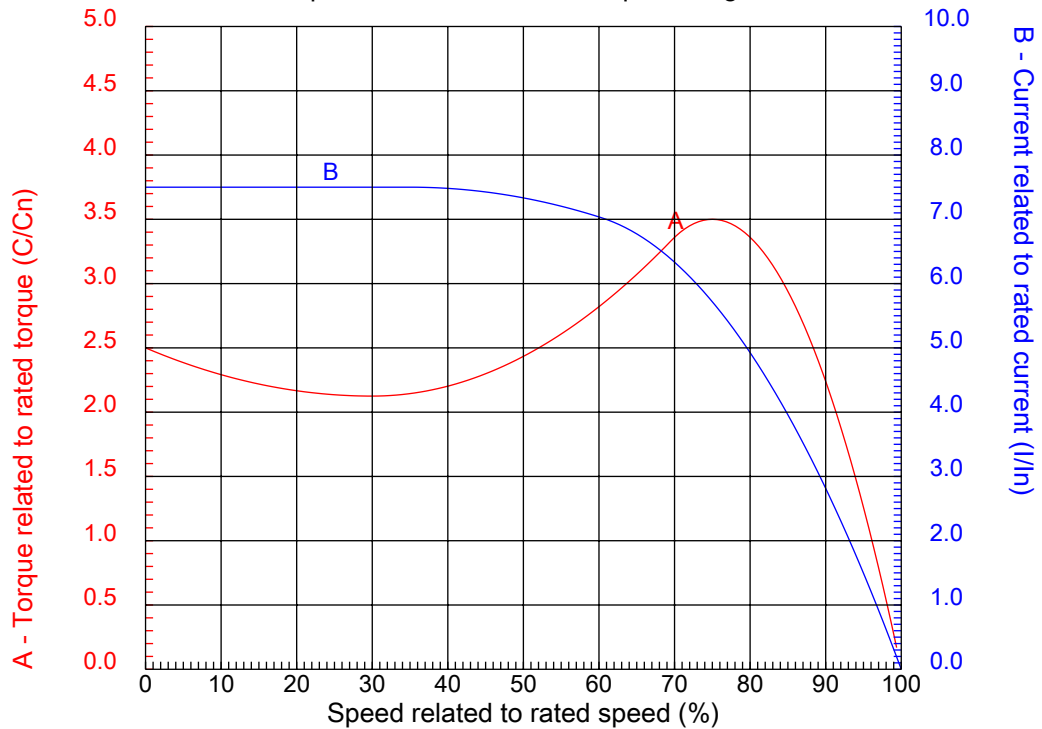
Dealers Industrial Equipment

No.:

Date: 12-SEP-2016

CHARACTERISTIC CURVES RELATED TO SPEED

Three-phase induction motor - Squirrel cage rotor



Customer :
Product line : Three-Phase: Fractional Explosion Proof Motors

| | | | |
|------------------|--------------------|--|---------|
| Frame | : 56H | Locked rotor current (I _l /I _n) | : 7.5 |
| Output | : 1.5 HP | Duty cycle | : S1 |
| Frequency | : 60 Hz | Service factor | : 1.00 |
| Full load speed | : 1725 rpm | Design | : A |
| Voltage | : 208-230/460 V | Locked rotor torque | : 250 % |
| Rated current | : 4.29-3.88/1.94 A | Breakdown torque | : 350 % |
| Insulation class | : F | | |

Notes:
Downloaded from <http://dealerselectric.com>
Generated for Model #00158XS3E56HC

Performed by

Checked

1 2 3 4 5 6 7 8

A

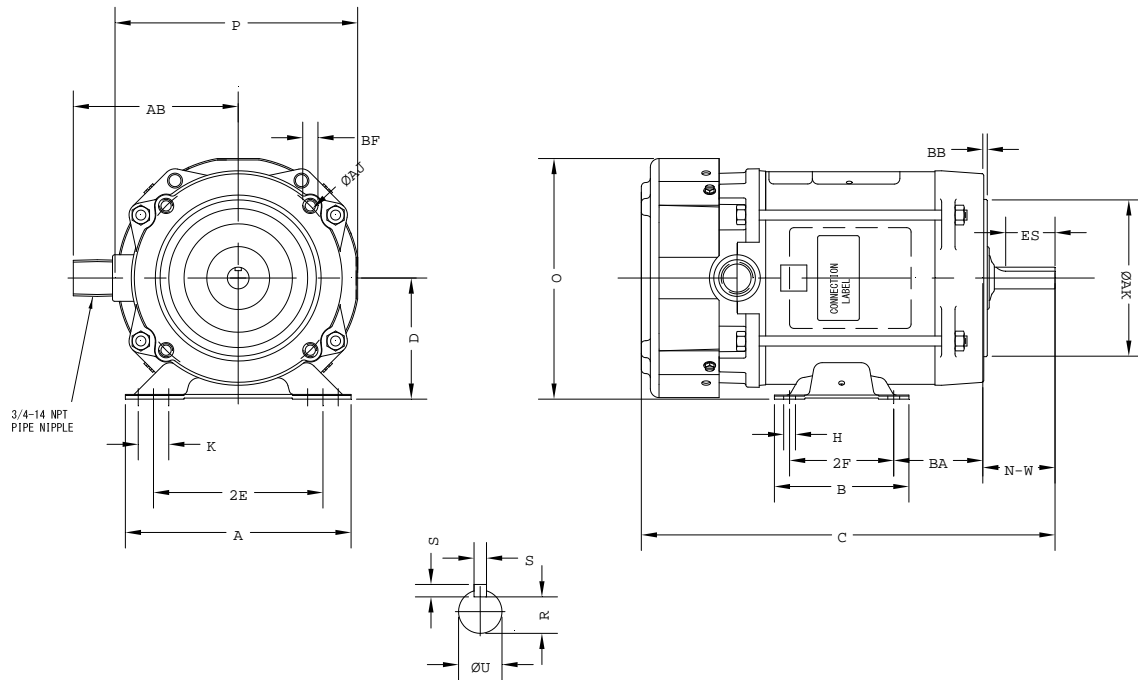
B

C

D

E

F



Notes: Downloaded from <http://dealerselectric.com>
Generated for Model #00158XS3E56HC

Performed by:

Checked:

Customer:

Three-Phase: Fractional Explosion Proof Motors

Three-phase induction motor
Frame 56H - IP55

12-SEP-2016



| | | | | |
|-------------|----------------------|------------------|-------------|-------------|
| 2E 4.880 | A 6.500 | P 6.980 | AB 4.500 | B 5.880 |
| BA 2.750 | U 0.6250 | N-W 1.880 | ES 1.380 | S 0.190 |
| R 0.517 | D 3.500 | O 6.920 | H 0.340 | C 14.040 |
| d1 SEM | 2F 3.000/5.000 | Flange FC-149 | AJ 5.880 | AK 4.500 |
| BD 6.000 | BF UNC 3/8"x16-2B | BB 0.160 | | |