



Dealers Industrial Equipment

No.:

Date: 12-SEP-2016

Customer :

TECHNICAL PROPOSAL

Three-phase induction motor - Squirrel cage rotor

Product line : Three-Phase: Fractional Explosion Proof Motors

Catalog Number : 00158XS3E56H

List Price : \$974

Notes:

Downloaded from <http://dealerselectric.com>

Generated for Model #00158XS3E56H

Performed by:

Checked:



Dealers Industrial Equipment

No.:

Date: 12-SEP-2016

DATA SHEET Three-phase induction motor - Squirrel cage rotor

Customer :
 Product line : Three-Phase: Fractional Explosion Proof Motors

Frame : 56H
 Output : 1.5 HP
 Frequency : 60 Hz
 Poles : 4
 Full load speed : 1725 rpm
 Slip : 4.17 %
 Voltage : 208-230/460 V
 Rated current : 4.29-3.88/1.94 A
 Locked rotor current : 29.1/14.6 A
 Locked rotor current (I_L/I_n) : 7.5
 No-load current : 2.00/1.00 A
 Full load torque : 4.51 lb.ft
 Locked rotor torque : 250 %
 Breakdown torque : 350 %
 Design : A
 Insulation class : F
 Temperature rise : 80 K
 Locked rotor time : 6 s (hot)
 Service factor : 1.00
 Duty cycle : S1
 Ambient temperature : -20°C - +50°C
 Altitude : 1000 m
 Degree of Protection : IP55
 Approximate weight : 39 lb
 Moment of inertia : 0.00973 sq.ft.lb
 Noise level : ---

	D.E.	N.D.E.
Bearings	6203 ZZ	6203 ZZ
Regreasing interval	---	---
Grease amount	---	---

Load	Power factor	Efficiency (%)
100%	0.84	84.7
75%	0.78	84.0
50%	0.67	81.0

Notes:
 Downloaded from <http://dealerselectric.com>
 Generated for Model #00158XS3E56H

Performed by

Checked



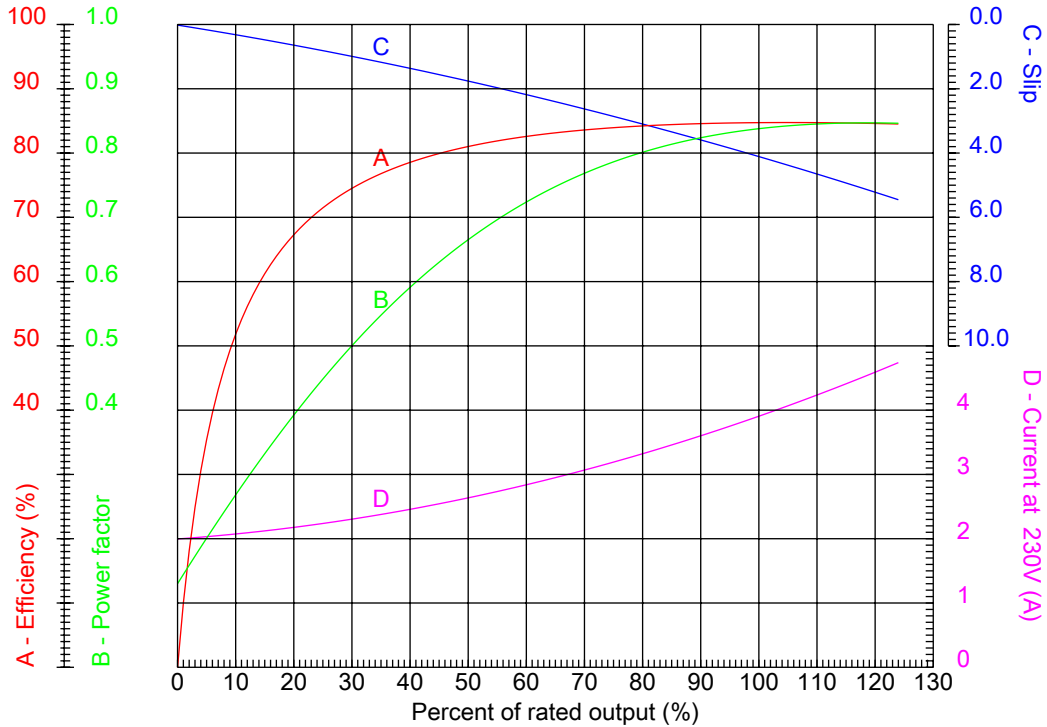
Dealers Industrial Equipment

No.:

Date: 12-SEP-2016

PERFORMANCE CURVES RELATED TO RATED OUTPUT

Three-phase induction motor - Squirrel cage rotor



Customer :
 Product line : Three-Phase: Fractional Explosion Proof Motors

Frame	: 56H	Locked rotor current (I _l /I _n)	: 7.5
Output	: 1.5 HP	Duty cycle	: S1
Frequency	: 60 Hz	Service factor	: 1.00
Full load speed	: 1725 rpm	Design	: A
Voltage	: 208-230/460 V	Locked rotor torque	: 250 %
Rated current	: 4.29-3.88/1.94 A	Breakdown torque	: 350 %
Insulation class	: F		

Notes:
 Downloaded from <http://dealerselectric.com>
 Generated for Model #00158XS3E56H

Performed by

Checked



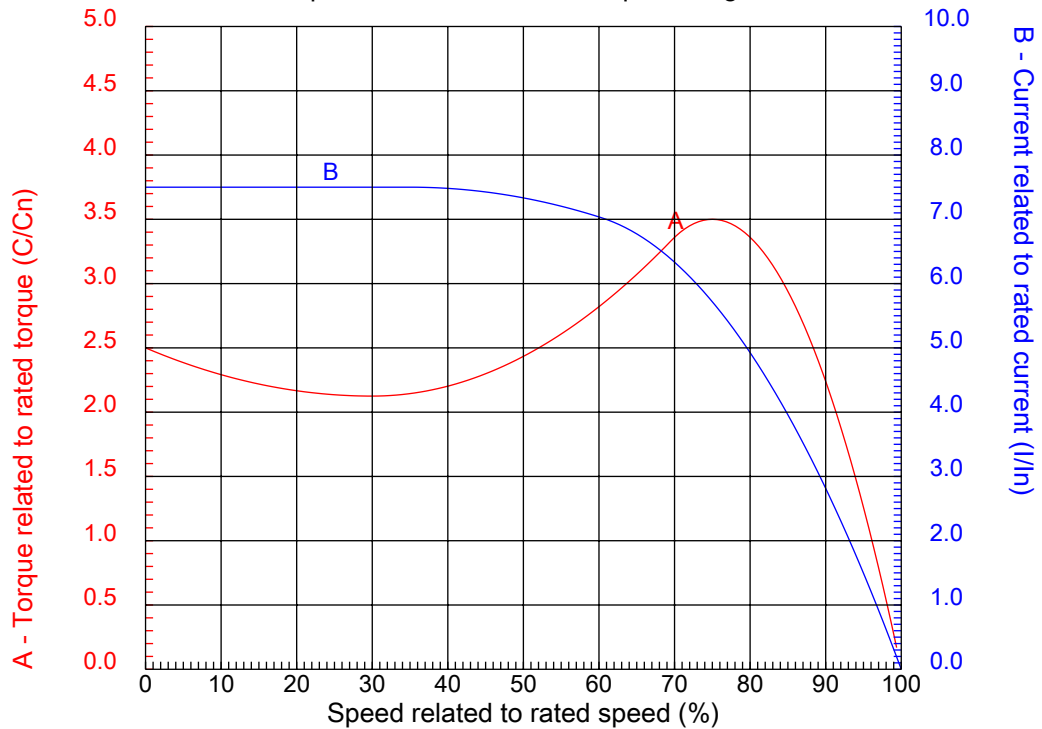
Dealers Industrial Equipment

No.:

Date: 12-SEP-2016

CHARACTERISTIC CURVES RELATED TO SPEED

Three-phase induction motor - Squirrel cage rotor



Customer :
Product line : Three-Phase: Fractional Explosion Proof Motors

Frame	: 56H	Locked rotor current (I _l /I _n)	: 7.5
Output	: 1.5 HP	Duty cycle	: S1
Frequency	: 60 Hz	Service factor	: 1.00
Full load speed	: 1725 rpm	Design	: A
Voltage	: 208-230/460 V	Locked rotor torque	: 250 %
Rated current	: 4.29-3.88/1.94 A	Breakdown torque	: 350 %
Insulation class	: F		

Notes:
Downloaded from <http://dealerselectric.com>
Generated for Model #00158XS3E56H

Performed by

Checked

1 2 3 4 5 6 7 8

A

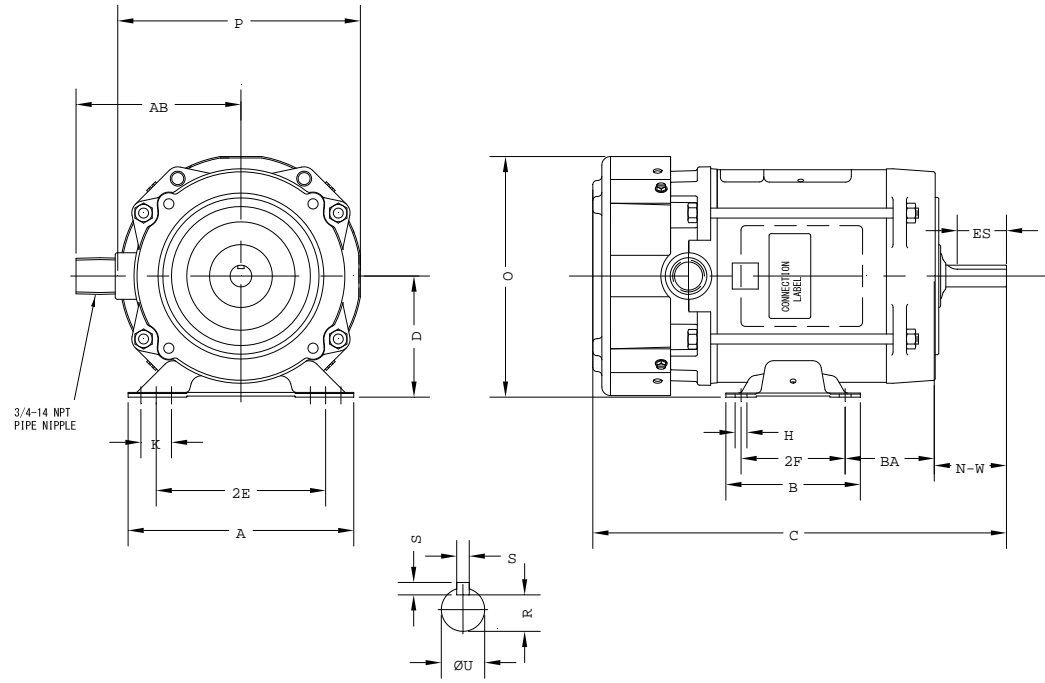
B

C

D

E

F



Notes: Downloaded from <http://dealerselectric.com>
Generated for Model #00158XS3E56H

Performed by:

Checked:

Customer:

Three-Phase: Fractional Explosion Proof Motors

2E	A	P	AB	B
4.880	6.500	6.980	4.500	5.880
BA	U	N-W	ES	S
2.750	0.6250	1.880	1.380	0.190
R	D	O	H	C
0.517	3.500	6.920	0.340	14.040
d1	2F			
SEM	3.000/5.000			

Three-phase induction motor
Frame 56H - IP55

12-SEP-2016

