



Dealers Industrial Equipment

No.:

Date: 12-SEP-2016

Customer :

TECHNICAL PROPOSAL

Three-phase induction motor - Squirrel cage rotor

Product line : Three-Phase: W22 IEEE-841™ Petrochem Motors - NEMA Premium® Efficiency

Catalog Number : 00158ST3HIE145T-W22

List Price : \$981

Notes:

Downloaded from <http://dealerselectric.com>

Generated for Model #00158ST3HIE145T-W22

Performed by:

Checked:



Dealers Industrial Equipment

No.:

Date: 12-SEP-2016

DATA SHEET

Three-phase induction motor - Squirrel cage rotor

Customer :
 Product line : Three-Phase: W22 IEEE-841™ Petrochem Motors - NEMA Premium® Efficiency

Frame : 143/5T
 Output : 1.5 HP
 Frequency : 60 Hz
 Poles : 4
 Full load speed : 1755 rpm
 Slip : 2.50 %
 Voltage : 575 V
 Rated current : 1.62 A
 Locked rotor current : 13.6 A
 Locked rotor current (I_L/I_n) : 8.4
 No-load current : 0.840 A
 Full load torque : 4.43 lb.ft
 Locked rotor torque : 250 %
 Breakdown torque : 340 %
 Design : B
 Insulation class : F
 Temperature rise : 80 K
 Locked rotor time : 14 s (hot)
 Service factor : 1.25
 Duty cycle : S1
 Ambient temperature : -20°C - +40°C
 Altitude : 1000 m
 Degree of Protection : IP55
 Approximate weight : 49 lb
 Moment of inertia : 0.14309 sq.ft.lb
 Noise level : 51 dB(A)

| | D.E. | N.D.E. |
|---------------------|---------|---------|
| Bearings | 6205 C3 | 6204 C3 |
| Regreasing interval | 20000 h | 20000 h |
| Grease amount | 4 g | 4 g |

| Load | Power factor | Efficiency (%) |
|------|--------------|----------------|
| 100% | 0.79 | 86.5 |
| 75% | 0.70 | 85.5 |
| 50% | 0.60 | 82.5 |

Notes:
 Downloaded from <http://dealerselectric.com>
 Generated for Model #00158ST3HIE145T-W22

Performed by

Checked



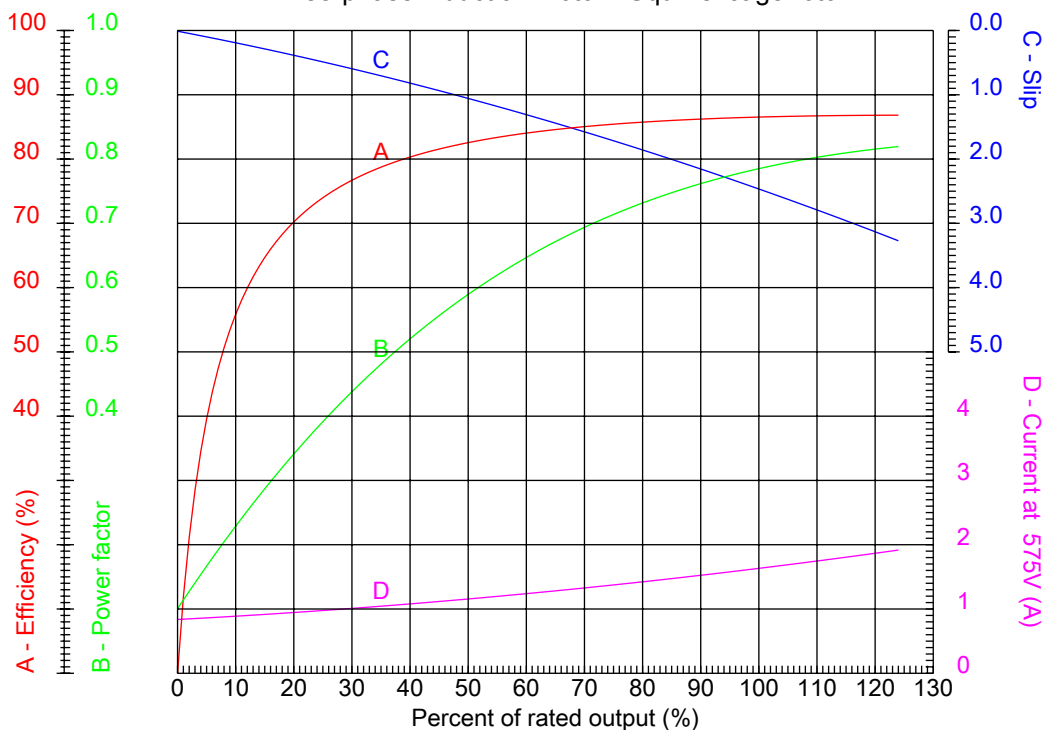
Dealers Industrial Equipment

No.:

Date: 12-SEP-2016

PERFORMANCE CURVES RELATED TO RATED OUTPUT

Three-phase induction motor - Squirrel cage rotor



Customer :
 Product line : Three-Phase: W22 IEEE-841™ Petrochem Motors - NEMA Premium® Efficiency

| | | | |
|------------------|------------|--|---------|
| Frame | : 143/5T | Locked rotor current (I _L /I _n) | : 8.4 |
| Output | : 1.5 HP | Duty cycle | : S1 |
| Frequency | : 60 Hz | Service factor | : 1.25 |
| Full load speed | : 1755 rpm | Design | : B |
| Voltage | : 575 V | Locked rotor torque | : 250 % |
| Rated current | : 1.62 A | Breakdown torque | : 340 % |
| Insulation class | : F | | |

Notes:
 Downloaded from <http://dealerselectric.com>
 Generated for Model #00158ST3HIE145T-W22

Performed by

Checked



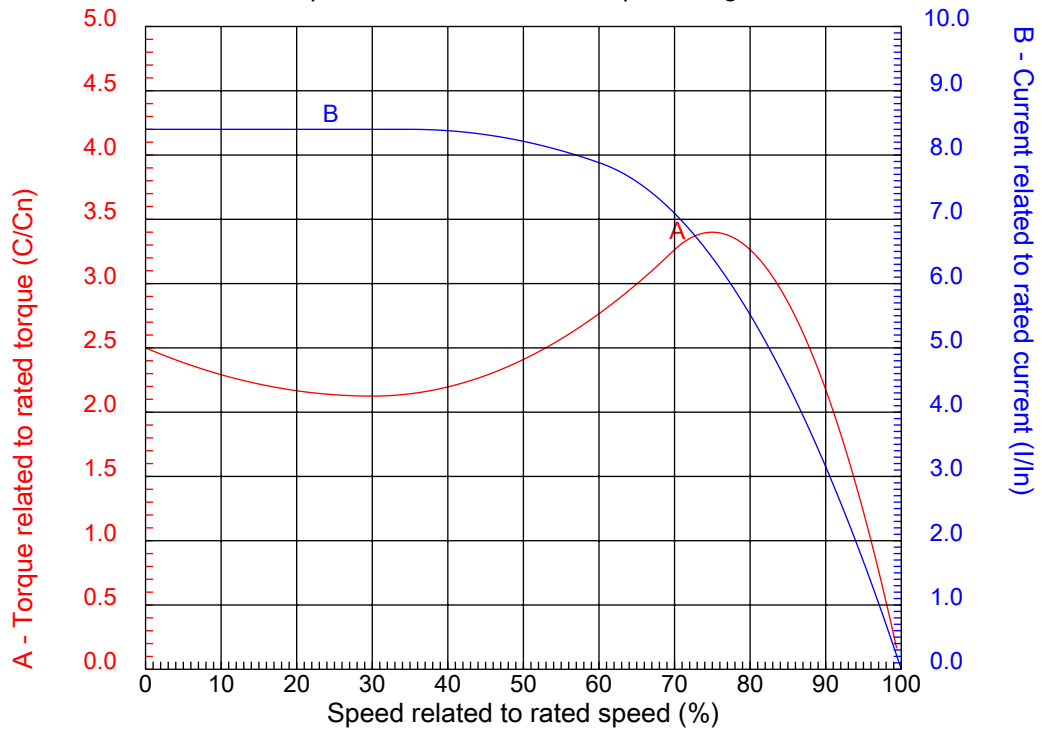
Dealers Industrial Equipment

No.:

Date: 12-SEP-2016

CHARACTERISTIC CURVES RELATED TO SPEED

Three-phase induction motor - Squirrel cage rotor



Customer :
Product line : Three-Phase: W22 IEEE-841™ Petrochem Motors - NEMA Premium® Efficiency

| | | | |
|------------------|------------|--|---------|
| Frame | : 143/5T | Locked rotor current (I _l /I _n) | : 8.4 |
| Output | : 1.5 HP | Duty cycle | : S1 |
| Frequency | : 60 Hz | Service factor | : 1.25 |
| Full load speed | : 1755 rpm | Design | : B |
| Voltage | : 575 V | Locked rotor torque | : 250 % |
| Rated current | : 1.62 A | Breakdown torque | : 340 % |
| Insulation class | : F | | |

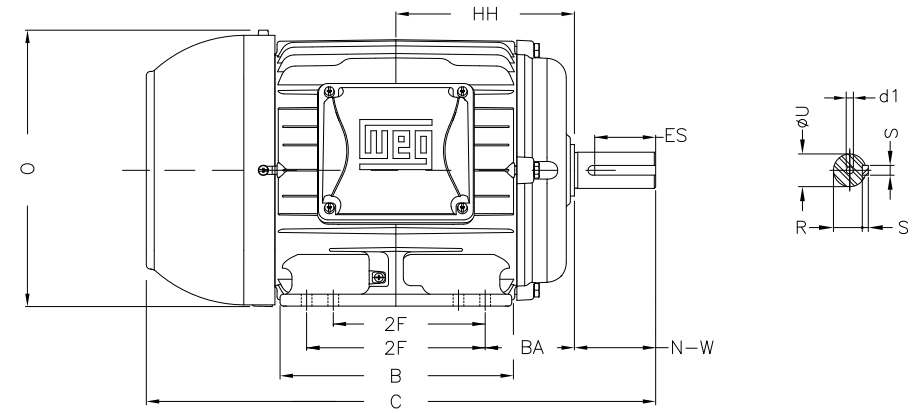
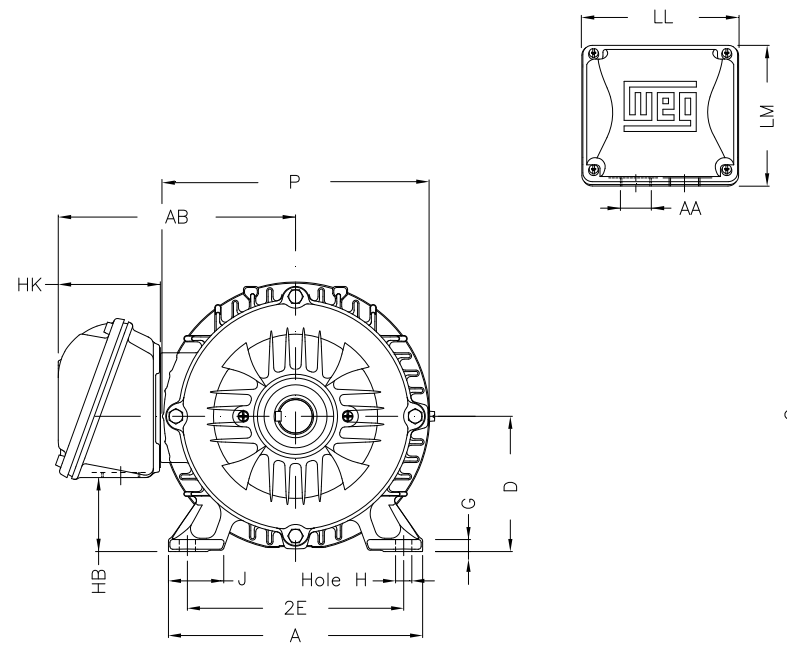
Notes:
Downloaded from <http://dealerselectric.com>
Generated for Model #00158ST3HIE145T-W22

Performed by

Checked

1 2 3 4 5 6 7 8

A
B
C
D
E
F



Notes: Downloaded from <http://dealerselectric.com>
Generated for Model #00158ST3HIE145T-W22

Performed by:

Checked:

Customer:

Three-Phase: W22 IEEE-841™ Petrochem Motors - NEMA Premium® Efficiency

| | | | | |
|-------------------|-------------|-------------|----------------|--------------|
| 2E 5.500 | J 1.437 | A 6.457 | P 7.047 | AB 6.260 |
| 2F 4.000/5.000 | B 6.142 | BA 2.250 | U 0.875 | N-W 2.250 |
| ES 1.417 | S 0.187 | R 0.771 | depth 0.187 | D 3.500 |
| G 0.354 | HB 1.787 | O 7.122 | HF 3.500 | HH 4.750 |
| HK 2.638 | H 0.344 | C 13.346 | LL 4.528 | LM 4.094 |
| AA NPT 3/4" | d1 A 4 | d2 A 4 | | |

Three-phase induction motor
Frame 143/5T - IP55

12-SEP-2016



1 2 3 4 5 6 7 8

A

B

C

D

E

F



Notes: Downloaded from <http://dealerselectric.com>
Generated for Model #00158ST3HIE145T-W22

Performed by:

Checked:

Customer:

Three-Phase: W22 IEEE-841™ Petrochem Motors - NEMA Premium® Efficiency

Three-phase induction motor
Frame 143/5T - IP55

12-SEP-2016

