



Dealers Industrial Equipment

No.:

Date: 12-SEP-2016

Customer :

TECHNICAL PROPOSAL

Single-phase induction motor - Squirrel cage rotor

Product line : Single-Phase : NEMA 48 & 56 ODP - Start Capacitor

Catalog Number : 00158OS1BOF56

List Price : \$453

Notes:

Downloaded from <http://dealerselectric.com>

Generated for Model #00158OS1BOF56

Performed by:

Checked:



Dealers Industrial Equipment

No.:

Date: 12-SEP-2016

DATA SHEET Single-phase induction motor - Squirrel cage rotor

Customer :
Product line : Single-Phase : NEMA 48 & 56 ODP - Start Capacitor

Frame : F56H
Output : 1.5 HP
Frequency : 60 Hz
Poles : 4
Full load speed : 1730 rpm
Slip : 3.89 %
Voltage : 115/208-230 V
Rated current : 18.5/9.27 A
Locked rotor current : 111/55.6 A
Locked rotor current (I_L/I_n) : 6.0
No-load current : 12.8/6.38 A
Full load torque : 4.49 lb.ft
Locked rotor torque : 260 %
Breakdown torque : 240 %
Design : ---
Insulation class : B
Temperature rise : 80 K
Locked rotor time : ---
Service factor : 1.15 (1.00 at 208V)
Duty cycle : S1
Ambient temperature : -20°C - +40°C
Altitude : 1000 m
Degree of Protection : IP21
Approximate weight : 45 lb
Moment of inertia : 0.19554 sq.ft.lb
Noise level : ---

	D.E.	N.D.E.
Bearings	6204 ZZ	6203 ZZ
Regreasing interval	---	---
Grease amount	---	---

Load	Power factor	Efficiency (%)
100%	0.71	72.9
75%	0.62	72.0
50%	0.50	67.5

Notes:
Downloaded from <http://dealerselectric.com>
Generated for Model #00158OS1BOF56

Performed by

Checked



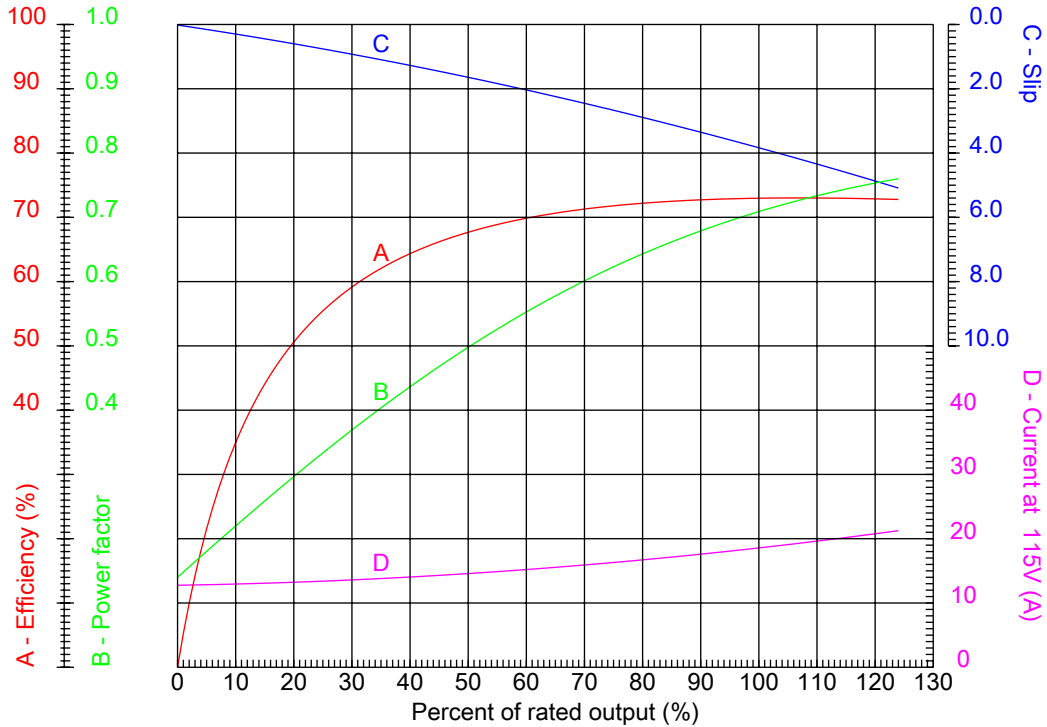
Dealers Industrial Equipment

No.:

Date: 12-SEP-2016

PERFORMANCE CURVES RELATED TO RATED OUTPUT

Single-phase induction motor - Squirrel cage rotor



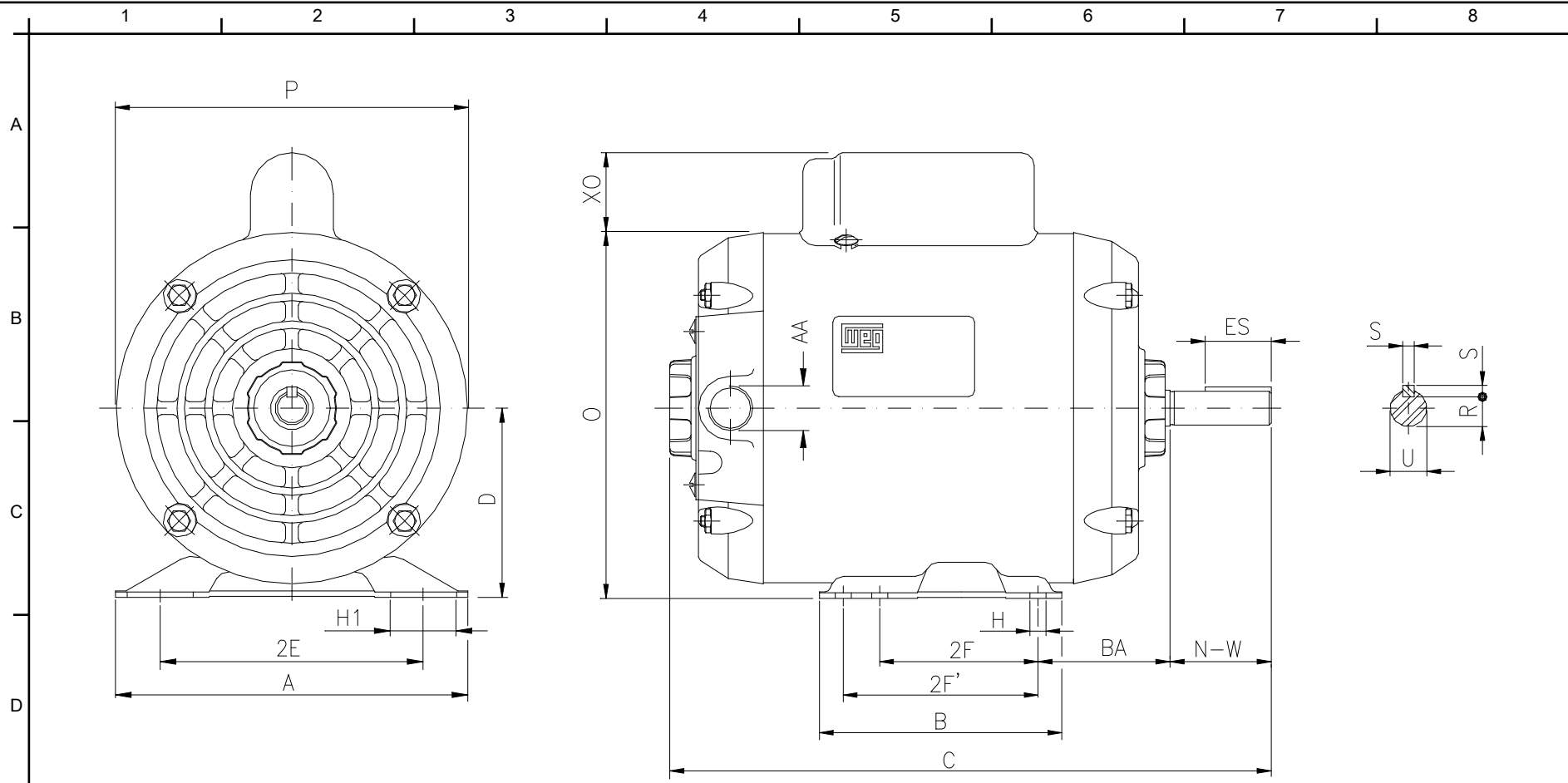
Customer :
 Product line : Single-Phase : NEMA 48 & 56 ODP - Start Capacitor

Frame : F56H	Locked rotor current (I _l /I _n) : 6.0
Output : 1.5 HP	Duty cycle : S1
Frequency : 60 Hz	Service factor : 1.15 (1.00 at 208V)
Full load speed : 1730 rpm	Design : ---
Voltage : 115/208-230 V	Locked rotor torque : 260 %
Rated current : 18.5/9.27 A	Breakdown torque : 240 %
Insulation class : B	

Notes:
 Downloaded from <http://dealerselectric.com>
 Generated for Model #00158OS1BOF56

Performed by

Checked



Notes: Downloaded from <http://dealerselectric.com>
 Generated for Model #00158OS1BOF56

Performed by:

Checked:

Customer:

Single-Phase : NEMA 48 & 56 ODP - Start Capacitor

2E	2F	H	H1	BA
4.874	3.000	0.342	1.220	2.750
A	B	C	D	O
6.535	6.496	13.464	3.500	6.732
XO	P	ES	S	N-W
0.000	6.457	1.102	0.187	1.874
U	R	AA	d1	AH
0.6250	0.517	NPT 1/2"	A 3.15	2.063

Single-phase induction motor
 Frame F56H - IP21

12-SEP-2016

