



Dealers Industrial Equipment

No.:

Date: 12-SEP-2016

Customer :

TECHNICAL PROPOSAL

Three-phase induction motor - Squirrel cage rotor

Product line : Three-Phase: W21 IE3 IEC Tru-Metric - TEFC (IP55) Multi-Mounting Aluminum  
Frame  
Catalog Number : 00158ET3WAL90L  
List Price : \$524

Notes:  
Downloaded from <http://dealerselectric.com>  
Generated for Model #00158ET3WAL90L

Performed by:

Checked:



Dealers Industrial Equipment

No.:

Date: 12-SEP-2016

### DATA SHEET Three-phase induction motor - Squirrel cage rotor

Customer :  
 Product line : Three-Phase: W21 IE3 IEC Tru-Metric - TEFC (IP55) Multi-Mounting Aluminum Frame

Frame : 90S/L  
 Output : 2 HP  
 Frequency : 60 Hz  
 Poles : 4  
 Full load speed : 1755 rpm  
 Slip : 2.50 %  
 Voltage : 460 V  
 Rated current : 2.79 A  
 Locked rotor current : 23.2 A  
 Locked rotor current (I<sub>L</sub>/I<sub>n</sub>) : 8.3  
 No-load current : 1.68 A  
 Full load torque : 5.90 lb.ft  
 Locked rotor torque : 300 %  
 Breakdown torque : 400 %  
 Design : ---  
 Insulation class : F  
 Temperature rise : 80 K  
 Locked rotor time : 14 s (hot)  
 Service factor : 1.25  
 Duty cycle : S1  
 Ambient temperature : -20°C - +40°C  
 Altitude : 1000 m  
 Degree of Protection : IP55  
 Approximate weight : 43 lb  
 Moment of inertia : 0.15662 sq.ft.lb  
 Noise level : 49 dB(A)

	D.E.	N.D.E.
Bearings	6205 ZZ	6204 ZZ
Regreasing interval	---	---
Grease amount	---	---

Load	Power factor	Efficiency (%)
100%	0.78	86.5
75%	0.69	85.5
50%	0.56	82.5

Notes:  
 Downloaded from <http://dealerselectric.com>  
 Generated for Model #00158ET3WAL90L

Performed by

Checked



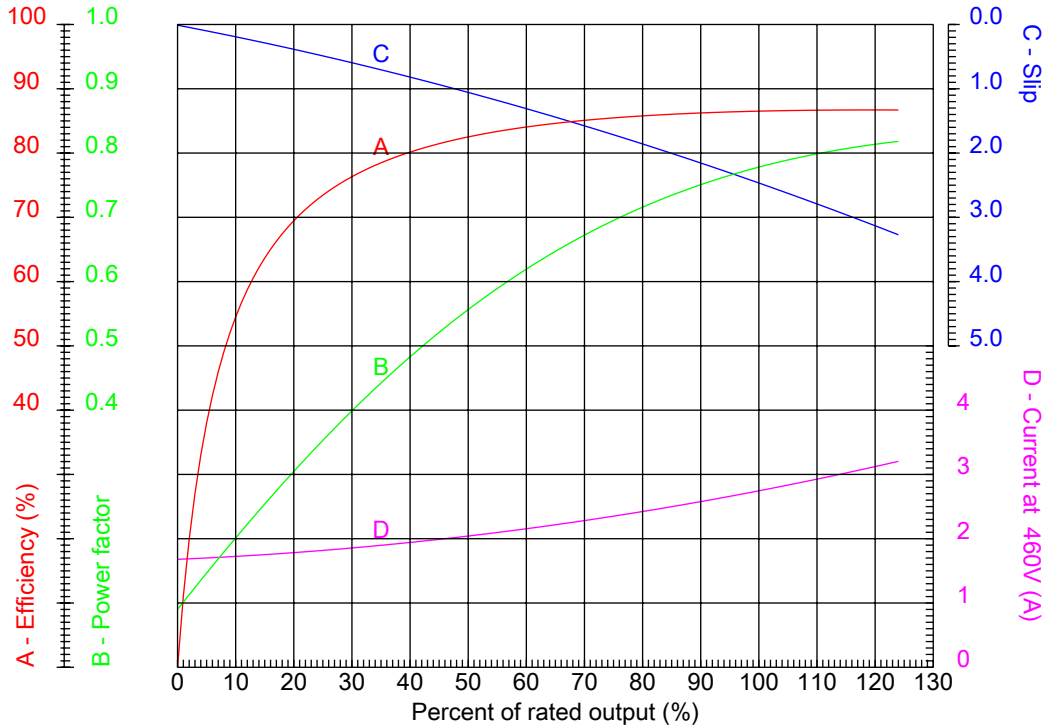
# Dealers Industrial Equipment

No.:

Date: 12-SEP-2016

## PERFORMANCE CURVES RELATED TO RATED OUTPUT

Three-phase induction motor - Squirrel cage rotor



Customer :  
 Product line : Three-Phase: W21 IE3 IEC Tru-Metric - TEFC (IP55) Multi-Mounting Aluminum Frame

Frame : 90S/L	Locked rotor current (I <sub>l</sub> /I <sub>n</sub> ) : 8.3
Output : 2 HP	Duty cycle : S1
Frequency : 60 Hz	Service factor : 1.25
Full load speed : 1755 rpm	Design : ---
Voltage : 460 V	Locked rotor torque : 300 %
Rated current : 2.79 A	Breakdown torque : 400 %
Insulation class : F	

Notes:  
 Downloaded from <http://dealerselectric.com>  
 Generated for Model #00158ET3WAL90L

Performed by

Checked



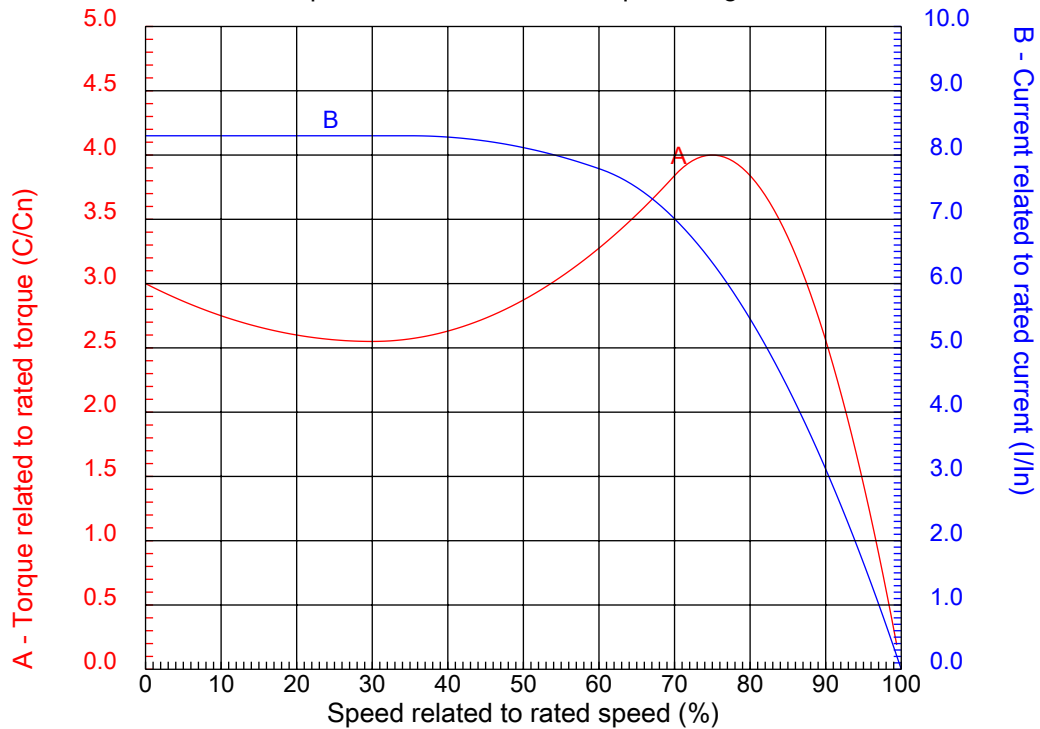
# Dealers Industrial Equipment

No.:

Date: 12-SEP-2016

## CHARACTERISTIC CURVES RELATED TO SPEED

Three-phase induction motor - Squirrel cage rotor



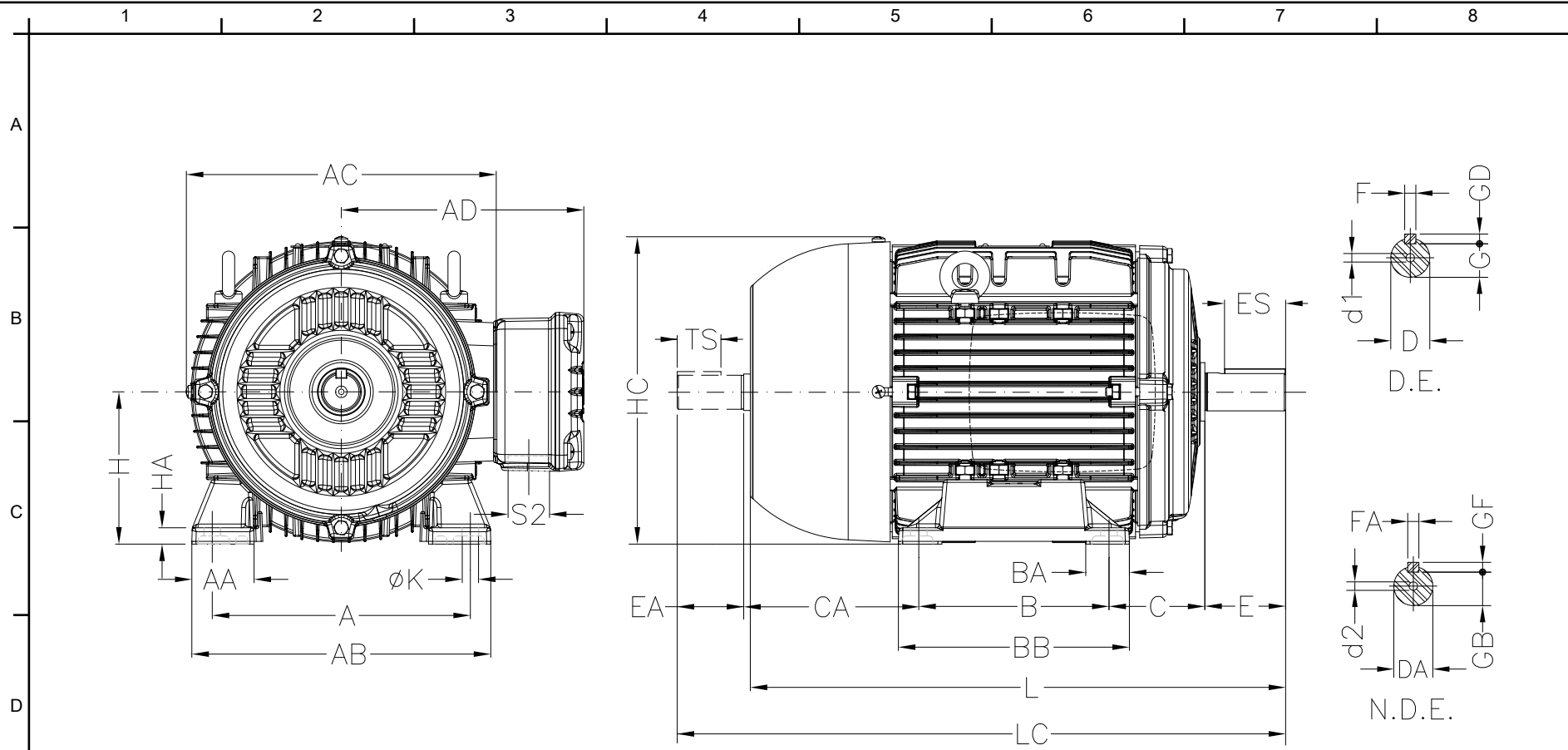
Customer :  
Product line : Three-Phase: W21 IE3 IEC Tru-Metric - TEFC (IP55) Multi-Mounting Aluminum Frame

Frame	: 90S/L	Locked rotor current (I <sub>l</sub> /I <sub>n</sub> )	: 8.3
Output	: 2 HP	Duty cycle	: S1
Frequency	: 60 Hz	Service factor	: 1.25
Full load speed	: 1755 rpm	Design	: ---
Voltage	: 460 V	Locked rotor torque	: 300 %
Rated current	: 2.79 A	Breakdown torque	: 400 %
Insulation class	: F		

Notes:  
Downloaded from <http://dealerselectric.com>  
Generated for Model #00158ET3WAL90L

Performed by

Checked



Notes: Downloaded from <http://dealerselectric.com>  
 Generated for Model #00158ET3WAL90L

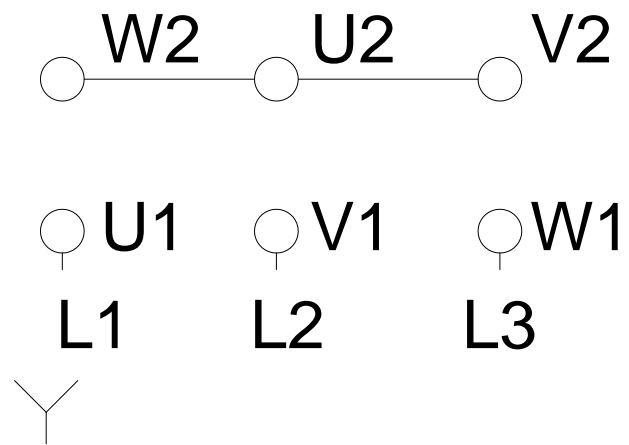
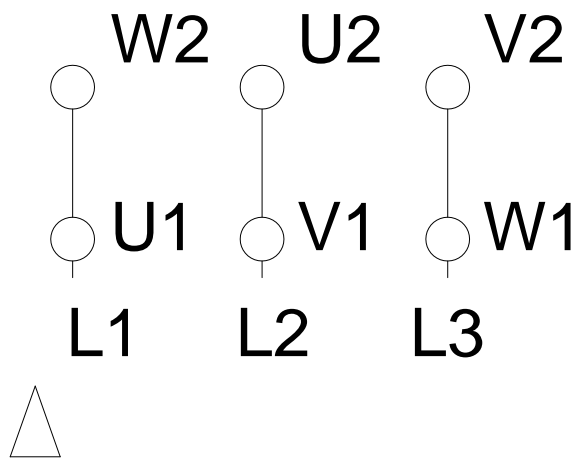
A	AA	AB	AC	AD
140	35	170	179	155
B	BA	BB	C	D
100/125	24	146	56	24j6
E	ES	F	G	GD
50	36	8	20	7
DA	EA	TS	FA	GB
16j6	40	28	5	13
GF	H	HA	HC	HD
5	90	9	177	246
K	L	LC	S2	d1
10	329	375	2xM25x1.5	DM8
d2				
DM6				

Performed by:	
Checked:	
Customer:	
Three-Phase: W21 IE3 IEC Tru-Metric - TEFC (IP55) Multi-Mounting Aluminum	
Three-phase induction motor Frame 90S/L - IP55	12-SEP-2016



# LOW VOLTAGE

# HIGH VOLTAGE



Notes: Downloaded from <a href="http://dealerselectric.com">http://dealerselectric.com</a> Generated for Model #00158ET3WAL90L		
Performed by:		
Checked:		
Customer:		
Three-Phase: W21 IE3 IEC Tru-Metric - TEFC (IP55) Multi-Mounting Aluminum		
Three-phase induction motor Frame 90S/L - IP55	12-SEP-2016	