



# Dealers Industrial Equipment

No.:

Date: 12-SEP-2016

Customer :

## TECHNICAL PROPOSAL

### Three-phase induction motor - Squirrel cage rotor

Product line : W22 NEMA Premium - Ball Bearings

Catalog Number : 00158ET3H145TC-W22

List Price : \$579

#### Notes:

Downloaded from <http://dealerselectric.com>

Generated for Model #00158ET3H145TC-W22

Performed by:

Checked:



# Dealers Industrial Equipment

No.:

Date: 12-SEP-2016

## DATA SHEET Three-phase induction motor - Squirrel cage rotor

Customer :  
 Product line : W22 NEMA Premium - Ball Bearings

Frame : 143/5T  
 Output : 1.5 HP  
 Frequency : 60 Hz  
 Poles : 4  
 Full load speed : 1755 rpm  
 Slip : 2.50 %  
 Voltage : 575 V  
 Rated current : 1.62 A  
 Locked rotor current : 13.6 A  
 Locked rotor current (I<sub>L</sub>/I<sub>n</sub>) : 8.4  
 No-load current : 0.840 A  
 Full load torque : 4.43 lb.ft  
 Locked rotor torque : 250 %  
 Breakdown torque : 340 %  
 Design : B  
 Insulation class : F  
 Temperature rise : 80 K  
 Locked rotor time : 14 s (hot)  
 Service factor : 1.25  
 Duty cycle : S1  
 Ambient temperature : -20°C - +40°C  
 Altitude : 1000 m  
 Degree of Protection : IP55  
 Approximate weight : 49 lb  
 Moment of inertia : 0.14309 sq.ft.lb  
 Noise level : 51 dB(A)

	D.E.	N.D.E.
Bearings	6205 ZZ	6204 ZZ
Regreasing interval	---	---
Grease amount	---	---

Load	Power factor	Efficiency (%)
100%	0.79	86.5
75%	0.70	85.5
50%	0.60	82.5

Notes:  
 Downloaded from <http://dealerselectric.com>  
 Generated for Model #00158ET3H145TC-W22

Performed by

Checked



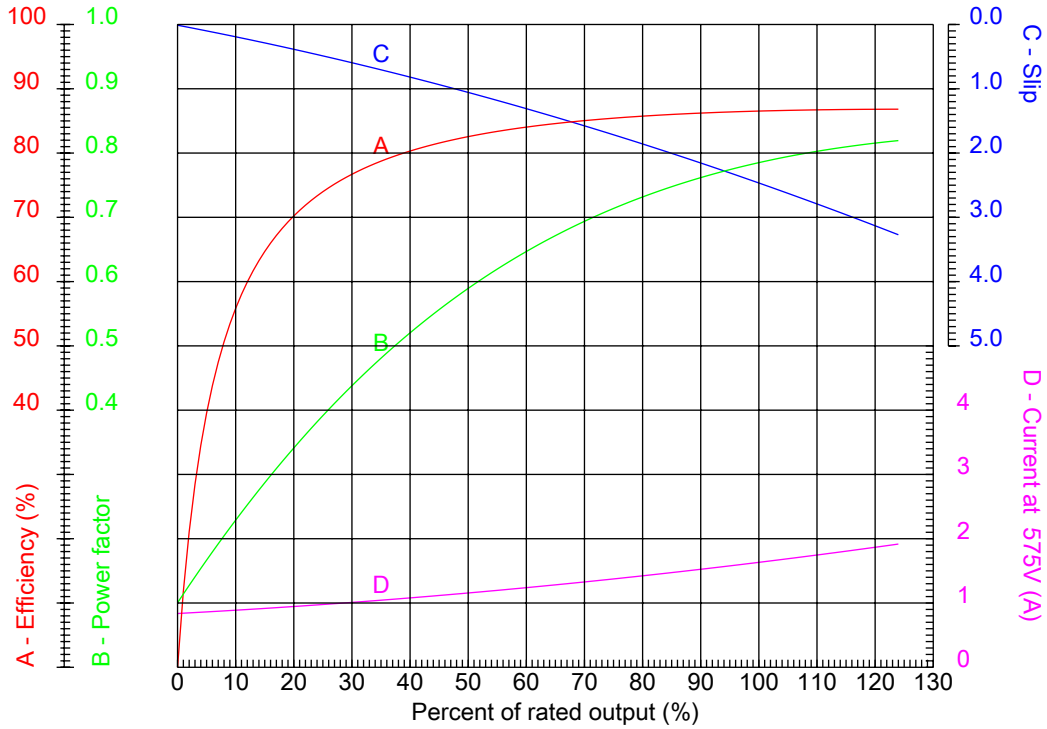
# Dealers Industrial Equipment

No.:

Date: 12-SEP-2016

## PERFORMANCE CURVES RELATED TO RATED OUTPUT

Three-phase induction motor - Squirrel cage rotor



Customer :  
 Product line : W22 NEMA Premium - Ball Bearings

Frame : 143/5T	Locked rotor current (I <sub>L</sub> /I <sub>n</sub> ) : 8.4
Output : 1.5 HP	Duty cycle : S1
Frequency : 60 Hz	Service factor : 1.25
Full load speed : 1755 rpm	Design : B
Voltage : 575 V	Locked rotor torque : 250 %
Rated current : 1.62 A	Breakdown torque : 340 %
Insulation class : F	

Notes:  
 Downloaded from <http://dealerselectric.com>  
 Generated for Model #00158ET3H145TC-W22

Performed by

Checked



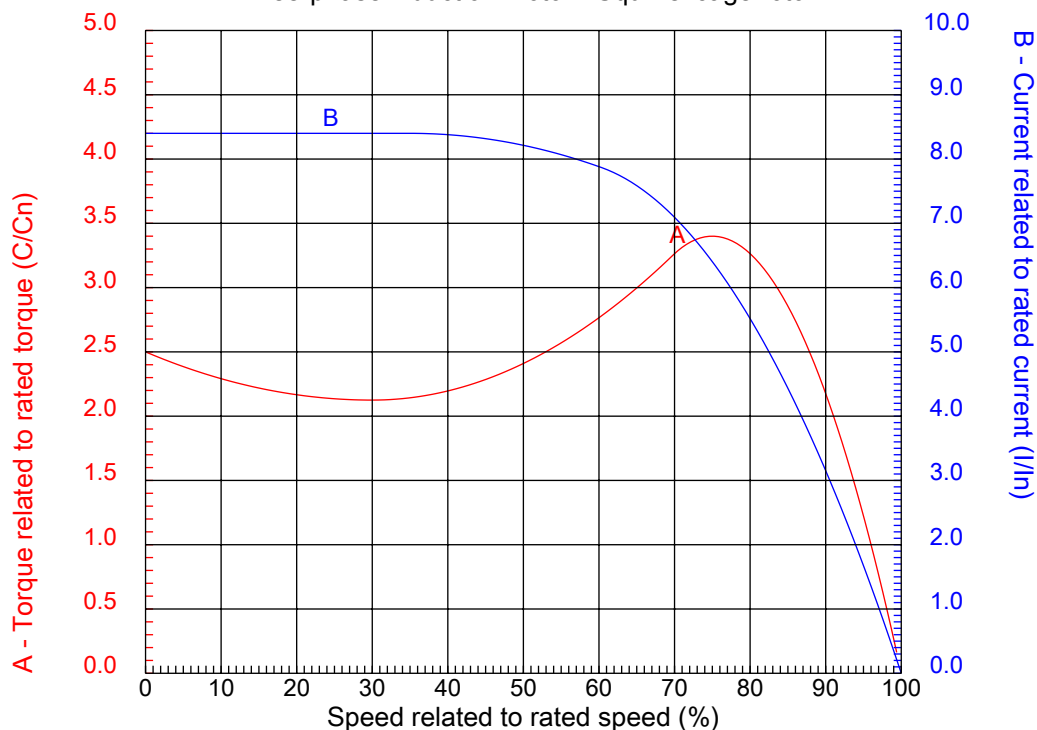
# Dealers Industrial Equipment

No.:

Date: 12-SEP-2016

## CHARACTERISTIC CURVES RELATED TO SPEED

Three-phase induction motor - Squirrel cage rotor



Customer :  
Product line : W22 NEMA Premium - Ball Bearings

Frame	: 143/5T	Locked rotor current (I <sub>l</sub> /I <sub>n</sub> )	: 8.4
Output	: 1.5 HP	Duty cycle	: S1
Frequency	: 60 Hz	Service factor	: 1.25
Full load speed	: 1755 rpm	Design	: B
Voltage	: 575 V	Locked rotor torque	: 250 %
Rated current	: 1.62 A	Breakdown torque	: 340 %
Insulation class	: F		

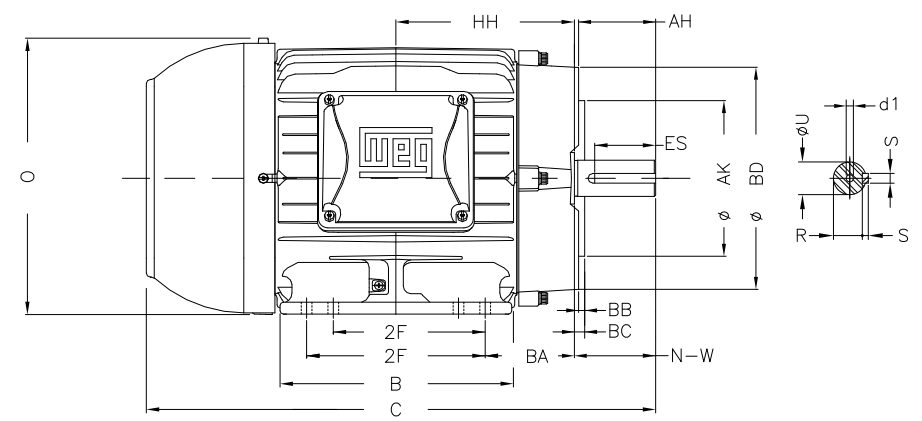
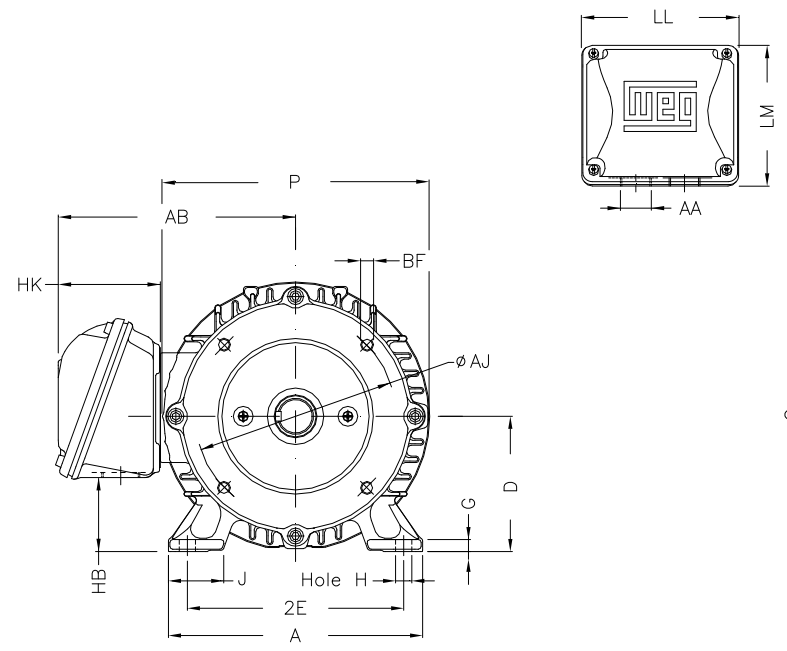
Notes:  
Downloaded from <http://dealerselectric.com>  
Generated for Model #00158ET3H145TC-W22

Performed by

Checked

1 2 3 4 5 6 7 8

A  
B  
C  
D  
E  
F



2E	J	A	P	AB
5.500	1.437	6.457	7.244	6.260
2F	B	BA	FBA	U
4.000/5.000	6.142	2.250	4.082	0.875
N-W	ES	S	R	depth
2.250	1.575	0.187	0.771	0.187
D	G	HB	O	T
3.500	0.354	1.787	7.122	0.007
HF	HH	HK	EV	H
3.500	4.750	2.638	0.571	0.340
C	FC	LL	LM	AA
13.346	15.202	4.528	4.094	NPT 3/4"
d1	Flange	AJ	AK	BD
A 3.15	FC-149	5.875	4.500	6.500
BF	BB	BC	AH	
UNC 3/8"x16	0.157	0.125	2.125	

Notes: Downloaded from <http://dealerselectric.com>  
 Generated for Model #00158ET3H145TC-W22

Performed by:


Checked:

Customer:

W22 NEMA Premium - Ball Bearings

Three-phase induction motor  
 Frame 143/5T - IP55

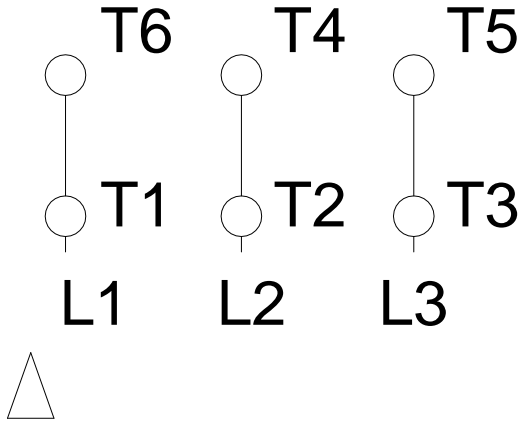
12-SEP-2016



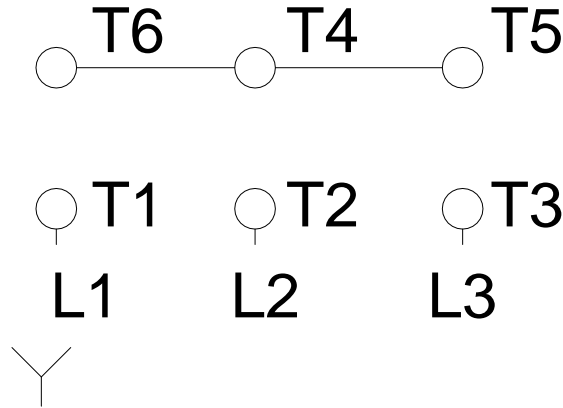
1 2 3 4 5 6 7 8

A  
B  
C  
D  
E  
F

### RUN



### ONLY FOR START



Notes: Downloaded from <a href="http://dealerselectric.com">http://dealerselectric.com</a> Generated for Model #00158ET3H145TC-W22		
Performed by:		
Checked:		
Customer:		
W22 NEMA Premium - Ball Bearings		
Three-phase induction motor Frame 143/5T - IP55	12-SEP-2016	