



Dealers Industrial Equipment

No.:

Date: 12-SEP-2016

Customer :

TECHNICAL PROPOSAL

Three-phase induction motor - Squirrel cage rotor

Product line : W22 NEMA Premium - Ball Bearings

Catalog Number : 00158ET3H145T-W22

List Price : \$551

Notes:

Downloaded from <http://dealerselectric.com>

Generated for Model #00158ET3H145T-W22

Performed by:

Checked:



Dealers Industrial Equipment

No.:

Date: 12-SEP-2016

DATA SHEET Three-phase induction motor - Squirrel cage rotor

Customer :
Product line : W22 NEMA Premium - Ball Bearings

Frame : 143/5T
Output : 1.5 HP
Frequency : 60 Hz
Poles : 4
Full load speed : 1755 rpm
Slip : 2.50 %
Voltage : 575 V
Rated current : 1.62 A
Locked rotor current : 13.6 A
Locked rotor current (I_L/I_n) : 8.4
No-load current : 0.840 A
Full load torque : 4.43 lb.ft
Locked rotor torque : 250 %
Breakdown torque : 340 %
Design : B
Insulation class : F
Temperature rise : 80 K
Locked rotor time : 14 s (hot)
Service factor : 1.25
Duty cycle : S1
Ambient temperature : -20°C - +40°C
Altitude : 1000 m
Degree of Protection : IP55
Approximate weight : 49 lb
Moment of inertia : 0.14309 sq.ft.lb
Noise level : 51 dB(A)

	D.E.	N.D.E.
Bearings	6205 ZZ	6204 ZZ
Regreasing interval	---	---
Grease amount	---	---

Load	Power factor	Efficiency (%)
100%	0.79	86.5
75%	0.70	85.5
50%	0.60	82.5

Notes:
Downloaded from <http://dealerselectric.com>
Generated for Model #00158ET3H145T-W22

Performed by

Checked



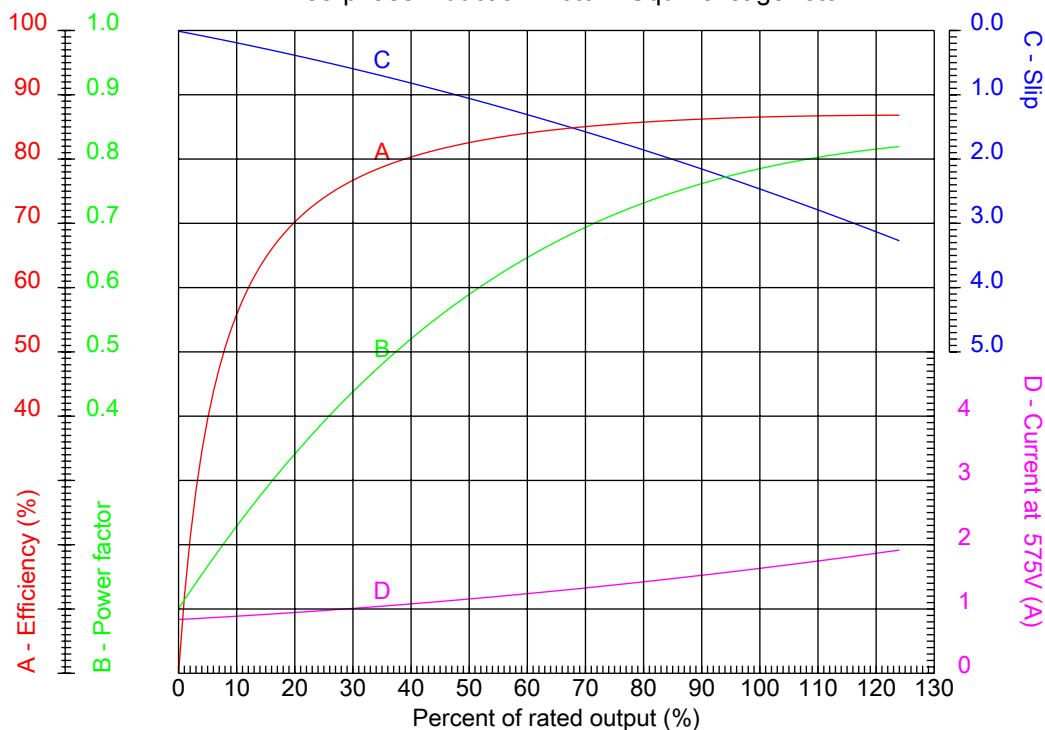
Dealers Industrial Equipment

No.:

Date: 12-SEP-2016

PERFORMANCE CURVES RELATED TO RATED OUTPUT

Three-phase induction motor - Squirrel cage rotor



Customer :
 Product line : W22 NEMA Premium - Ball Bearings

Frame : 143/5T	Locked rotor current (I _L /I _n) : 8.4
Output : 1.5 HP	Duty cycle : S1
Frequency : 60 Hz	Service factor : 1.25
Full load speed : 1755 rpm	Design : B
Voltage : 575 V	Locked rotor torque : 250 %
Rated current : 1.62 A	Breakdown torque : 340 %
Insulation class : F	

Notes:
 Downloaded from <http://dealerselectric.com>
 Generated for Model #00158ET3H145T-W22

Performed by

Checked



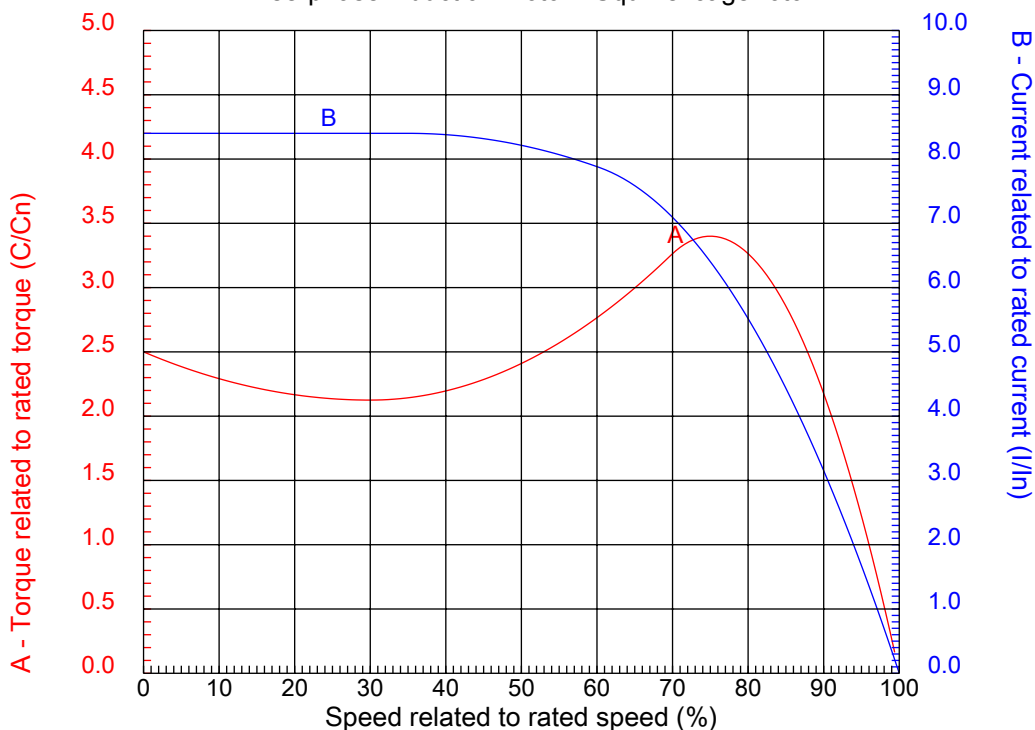
Dealers Industrial Equipment

No.:

Date: 12-SEP-2016

CHARACTERISTIC CURVES RELATED TO SPEED

Three-phase induction motor - Squirrel cage rotor



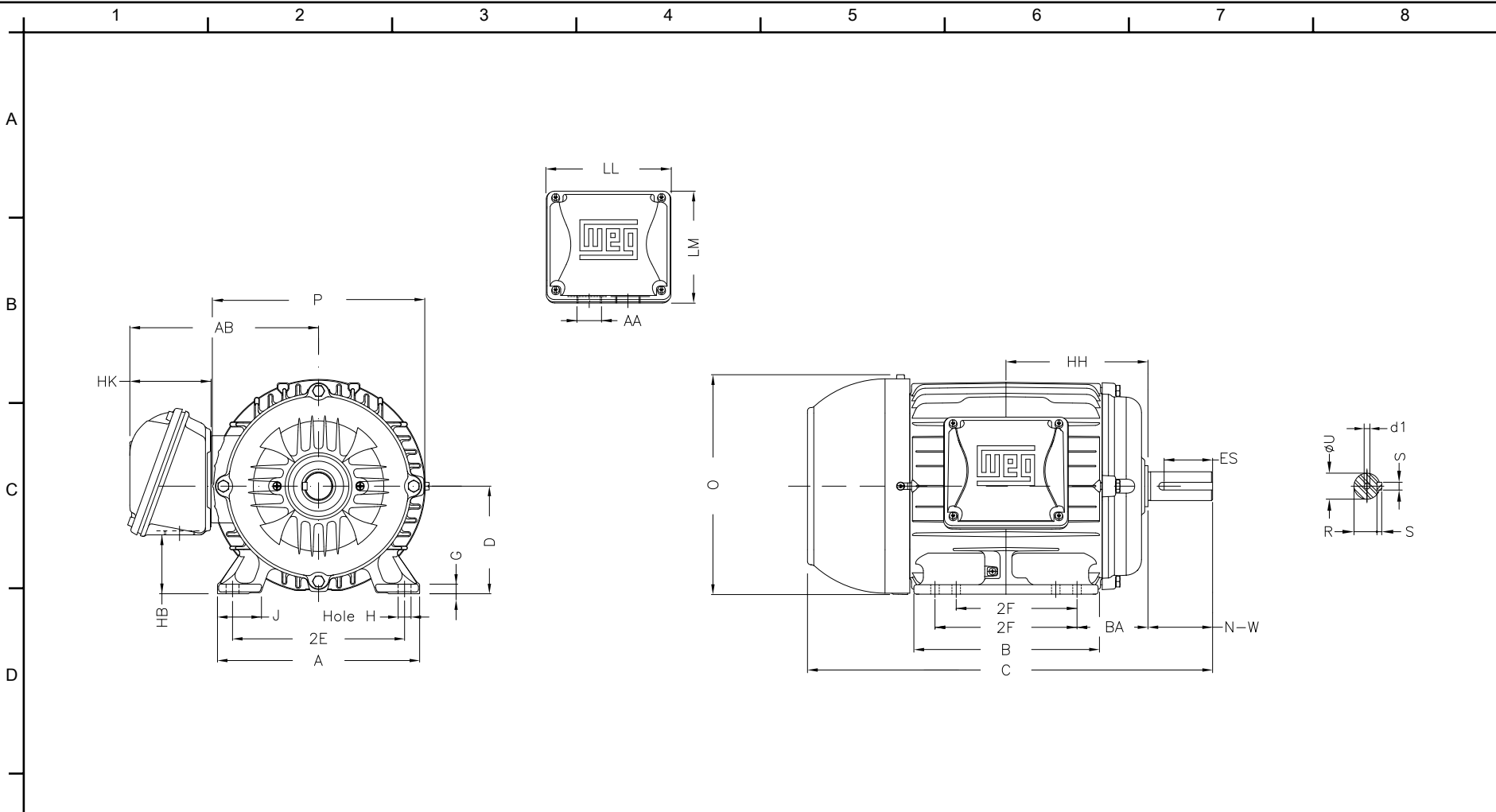
Customer :
Product line : W22 NEMA Premium - Ball Bearings

Frame	: 143/5T	Locked rotor current (I _l /I _n)	: 8.4
Output	: 1.5 HP	Duty cycle	: S1
Frequency	: 60 Hz	Service factor	: 1.25
Full load speed	: 1755 rpm	Design	: B
Voltage	: 575 V	Locked rotor torque	: 250 %
Rated current	: 1.62 A	Breakdown torque	: 340 %
Insulation class	: F		

Notes:
Downloaded from <http://dealerselectric.com>
Generated for Model #00158ET3H145T-W22

Performed by

Checked



Notes: Downloaded from <http://dealerselectric.com>
 Generated for Model #00158ET3H145T-W22

2E 5.500	J 1.437	A 6.457	P 7.244	AB 6.260
2F 4.000/5.000	B 6.142	BA 2.250	FBA 4.082	U 0.875
N-W 2.250	ES 1.575	S 0.187	R 0.771	depth 0.187
D 3.500	G 0.354	HB 1.787	O 7.122	T 0.007
HF 3.500	HH 4.750	HK 2.638	EV 0.571	H 0.340
C 13.346	FC 15.202	LL 4.528	LM 4.094	AA NPT 3/4"
d1 A 3.15				

Performed by:
 Checked:
 Customer:
 W22 NEMA Premium - Ball Bearings

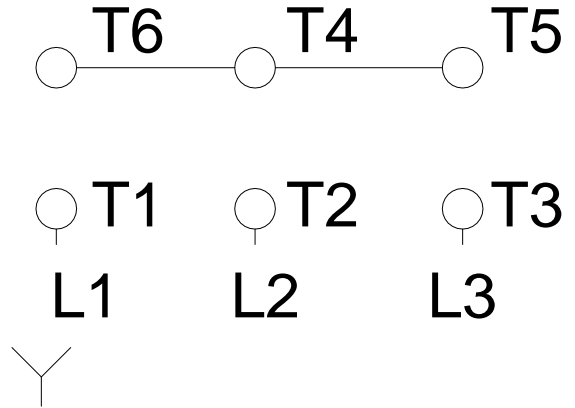
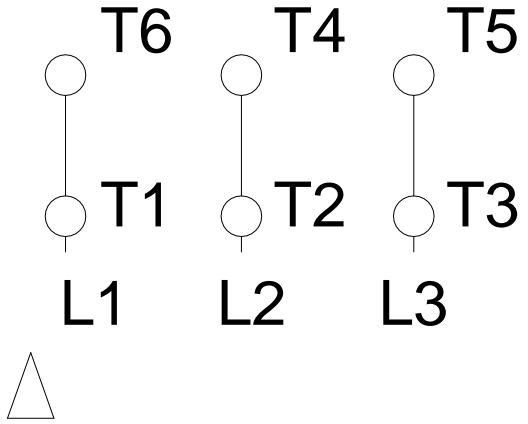
Three-phase induction motor Frame 143/5T - IP55	12-SEP-2016	
--	-------------	--

1 2 3 4 5 6 7 8

A
B
C
D
E
F

RUN

ONLY FOR START



Notes: Downloaded from http://dealerselectric.com Generated for Model #00158ET3H145T-W22		
Performed by:		
Checked:		
Customer:		
W22 NEMA Premium - Ball Bearings		
Three-phase induction motor Frame 143/5T - IP55	12-SEP-2016	