



Dealers Industrial Equipment

No.:

Date: 12-SEP-2016

Customer :

TECHNICAL PROPOSAL

Three-phase induction motor - Squirrel cage rotor

Product line : W22 NEMA Premium - Ball Bearings

Catalog Number : 00158ET3E145TC-W22

List Price : \$579

Notes:

Downloaded from <http://dealerselectric.com>

Generated for Model #00158ET3E145TC-W22

Performed by:

Checked:



Dealers Industrial Equipment

No.:

Date: 12-SEP-2016

DATA SHEET Three-phase induction motor - Squirrel cage rotor

Customer :
 Product line : W22 NEMA Premium - Ball Bearings

Frame : 143/5T
 Output : 1.5 HP
 Frequency : 60 Hz
 Poles : 4
 Full load speed : 1755 rpm
 Slip : 2.50 %
 Voltage : 208-230/460 V
 Rated current : 4.36-4.04/2.02 A
 Locked rotor current : 33.9/17.0 A
 Locked rotor current (I_L/I_n) : 8.4
 No-load current : 2.10/1.05 A
 Full load torque : 4.43 lb.ft
 Locked rotor torque : 250 %
 Breakdown torque : 340 %
 Design : B
 Insulation class : F
 Temperature rise : 80 K
 Locked rotor time : 14 s (hot)
 Service factor : 1.25
 Duty cycle : S1
 Ambient temperature : -20°C - +40°C
 Altitude : 1000 m
 Degree of Protection : IP55
 Approximate weight : 49 lb
 Moment of inertia : 0.14309 sq.ft.lb
 Noise level : 51 dB(A)

	D.E.	N.D.E.
Bearings	6205 ZZ	6204 ZZ
Regreasing interval	---	---
Grease amount	---	---

Load	Power factor	Efficiency (%)
100%	0.79	86.5
75%	0.70	85.5
50%	0.60	82.5

Notes:
 Downloaded from <http://dealerselectric.com>
 Generated for Model #00158ET3E145TC-W22

Performed by

Checked



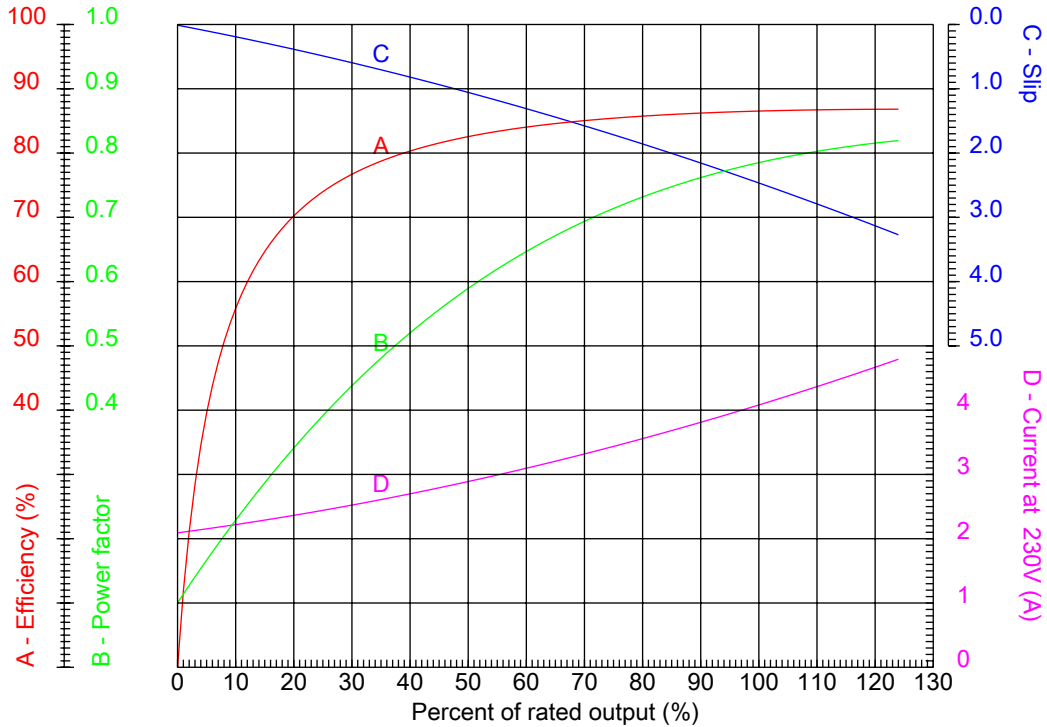
Dealers Industrial Equipment

No.:

Date: 12-SEP-2016

PERFORMANCE CURVES RELATED TO RATED OUTPUT

Three-phase induction motor - Squirrel cage rotor



Customer :
 Product line : W22 NEMA Premium - Ball Bearings

Frame : 143/5T	Locked rotor current (I _l /I _n) : 8.4
Output : 1.5 HP	Duty cycle : S1
Frequency : 60 Hz	Service factor : 1.25
Full load speed : 1755 rpm	Design : B
Voltage : 208-230/460 V	Locked rotor torque : 250 %
Rated current : 4.36-4.04/2.02 A	Breakdown torque : 340 %
Insulation class : F	

Notes:
 Downloaded from <http://dealerselectric.com>
 Generated for Model #00158ET3E145TC-W22

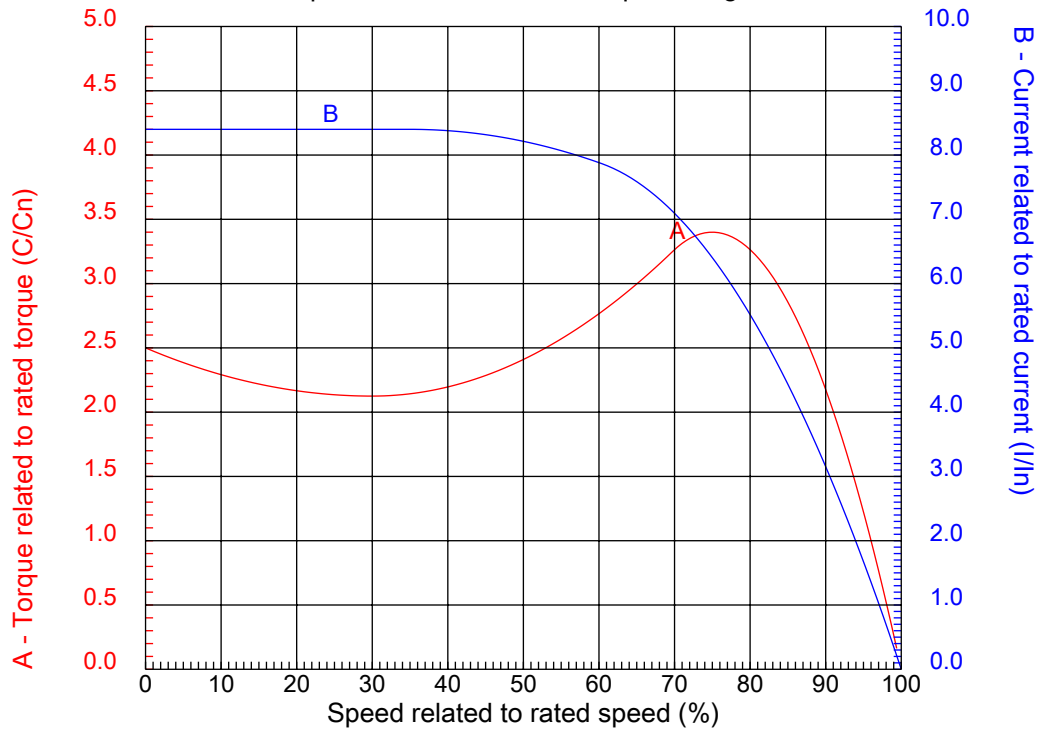
Performed by

Checked



CHARACTERISTIC CURVES RELATED TO SPEED

Three-phase induction motor - Squirrel cage rotor



Customer :
Product line : W22 NEMA Premium - Ball Bearings

Frame	: 143/5T	Locked rotor current (I _l /I _n)	: 8.4
Output	: 1.5 HP	Duty cycle	: S1
Frequency	: 60 Hz	Service factor	: 1.25
Full load speed	: 1755 rpm	Design	: B
Voltage	: 208-230/460 V	Locked rotor torque	: 250 %
Rated current	: 4.36-4.04/2.02 A	Breakdown torque	: 340 %
Insulation class	: F		

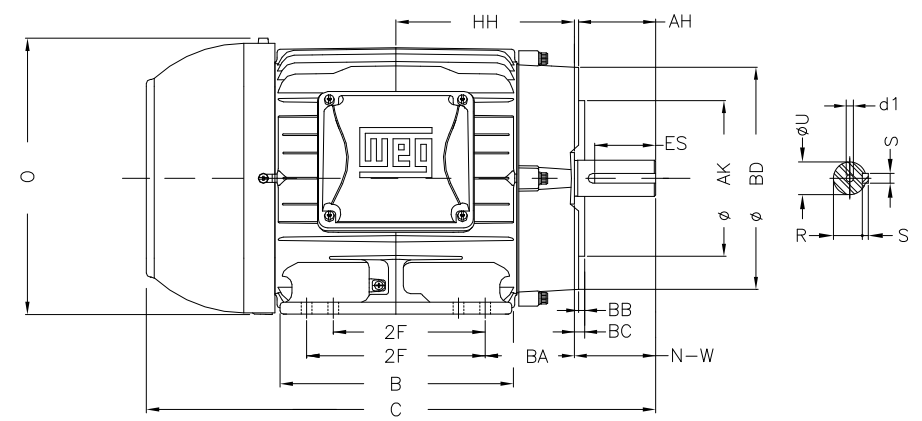
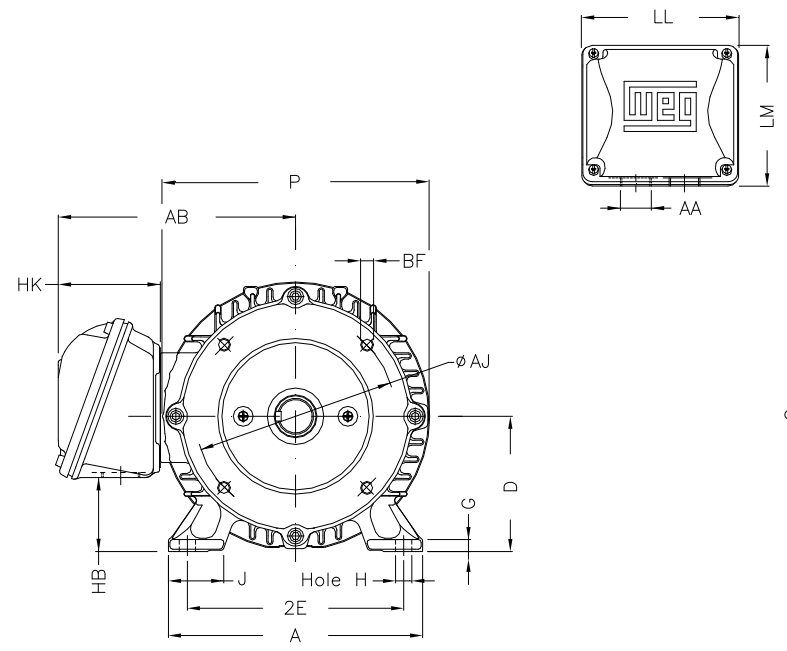
Notes:
Downloaded from <http://dealerselectric.com>
Generated for Model #00158ET3E145TC-W22

Performed by

Checked

1 2 3 4 5 6 7 8

A
B
C
D
E
F



2E	J	A	P	AB
5.500	1.437	6.457	7.244	6.260
2F	B	BA	FBA	U
4.000/5.000	6.142	2.250	4.082	0.875
N-W	ES	S	R	depth
2.250	1.575	0.187	0.771	0.187
D	G	HB	O	T
3.500	0.354	1.787	7.122	0.007
HF	HH	HK	EV	H
3.500	4.750	2.638	0.571	0.340
C	FC	LL	LM	AA
13.346	15.202	4.528	4.094	NPT 3/4"
d1	Flange	AJ	AK	BD
A 3.15	FC-149	5.875	4.500	6.500
BF	BB	BC	AH	
UNC 3/8"x16	0.157	0.125	2.125	

Notes: Downloaded from <http://dealerselectric.com>
Generated for Model #00158ET3E145TC-W22

Performed by:

Checked:

Customer:

W22 NEMA Premium - Ball Bearings

Three-phase induction motor
Frame 143/5T - IP55

12-SEP-2016



1 2 3 4 5 6 7 8

A

LOW VOLTAGE

HIGH VOLTAGE

B



C



D

E

F

Notes: Downloaded from <http://dealerselectric.com>
 Generated for Model #00158ET3E145TC-W22

Performed by:

Checked:

Customer:

W22 NEMA Premium - Ball Bearings

Three-phase induction motor
 Frame 143/5T - IP55

12-SEP-2016

