



# Dealers Industrial Equipment

No.:

Date: 12-SEP-2016

Customer :

## TECHNICAL PROPOSAL

### Three-phase induction motor - Squirrel cage rotor

Product line : Three-Phase : NEMA 56 Frames - TEFC

Catalog Number : 00158ES3ED56

List Price : \$362

#### Notes:

Downloaded from <http://dealerselectric.com>

Generated for Model #00158ES3ED56

Performed by:

Checked:



Dealers Industrial Equipment

No.:

Date: 12-SEP-2016

### DATA SHEET Three-phase induction motor - Squirrel cage rotor

Customer :  
Product line : Three-Phase : NEMA 56 Frames - TEFC

Frame : D56  
Output : 1.5 HP  
Frequency : 60 Hz  
Poles : 4  
Full load speed : 1750 rpm  
Slip : 2.78 %  
Voltage : 208-230/460 V  
Rated current : 4.80-4.60/2.30 A  
Locked rotor current : 39.1/19.5 A  
Locked rotor current (I<sub>L</sub>/I<sub>n</sub>) : 8.5  
No-load current : 3.40/1.70 A  
Full load torque : 4.44 lb.ft  
Locked rotor torque : 310 %  
Breakdown torque : 350 %  
Design : A  
Insulation class : F  
Temperature rise : 80 K  
Locked rotor time : 10 s (hot)  
Service factor : 1.15 (1.00 at 208V)  
Duty cycle : S1  
Ambient temperature : -20°C - +40°C  
Altitude : 1000 m  
Degree of Protection : IP55  
Approximate weight : 36 lb  
Moment of inertia : 0.15970 sq.ft.lb  
Noise level : ---

	D.E.	N.D.E.
Bearings	6204 ZZ	6202 ZZ
Regreasing interval	---	---
Grease amount	---	---

Load	Power factor	Efficiency (%)
100%	0.75	80.0
75%	0.67	79.0
50%	0.54	74.5

Notes:  
Downloaded from <http://dealerselectric.com>  
Generated for Model #00158ES3ED56

Performed by

Checked



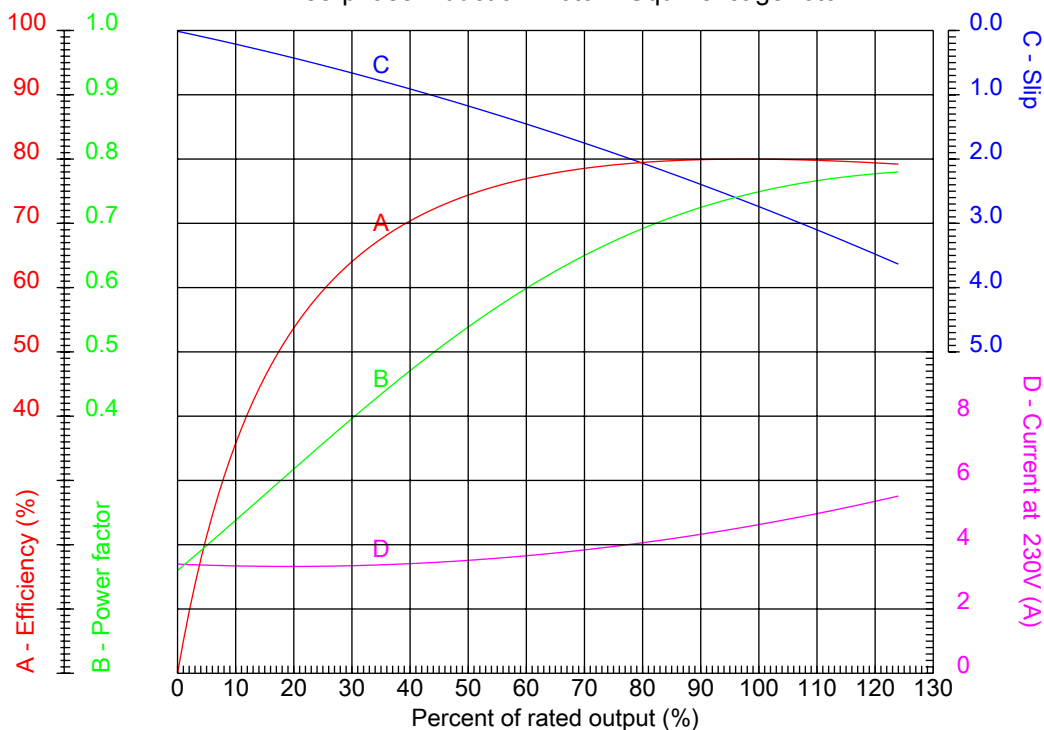
# Dealers Industrial Equipment

No.:

Date: 12-SEP-2016

## PERFORMANCE CURVES RELATED TO RATED OUTPUT

Three-phase induction motor - Squirrel cage rotor



Customer :  
Product line : Three-Phase : NEMA 56 Frames - TEFC

Frame	: D56	Locked rotor current (I <sub>L</sub> /I <sub>n</sub> )	: 8.5
Output	: 1.5 HP	Duty cycle	: S1
Frequency	: 60 Hz	Service factor	: 1.15 (1.00 at 208V)
Full load speed	: 1750 rpm	Design	: A
Voltage	: 208-230/460 V	Locked rotor torque	: 310 %
Rated current	: 4.80-4.60/2.30 A	Breakdown torque	: 350 %
Insulation class	: F		

Notes:  
Downloaded from <http://dealerselectric.com>  
Generated for Model #00158ES3ED56

Performed by

Checked



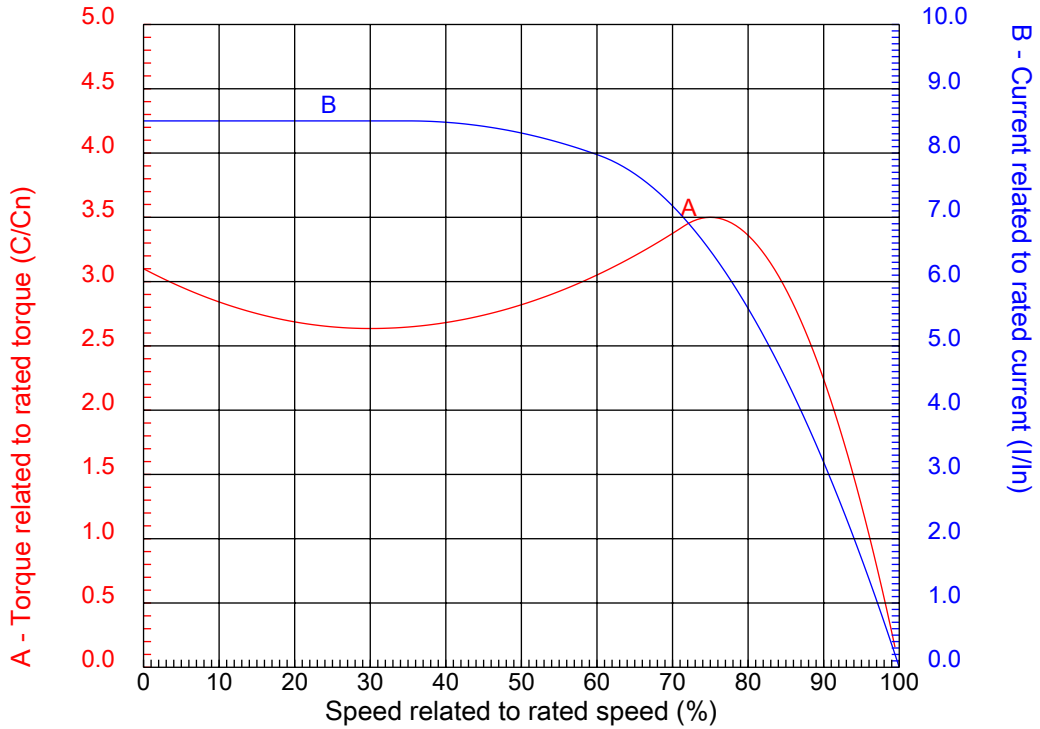
# Dealers Industrial Equipment

No.:

Date: 12-SEP-2016

## CHARACTERISTIC CURVES RELATED TO SPEED

Three-phase induction motor - Squirrel cage rotor



Customer :  
 Product line : Three-Phase : NEMA 56 Frames - TEFC

Frame	: D56	Locked rotor current (I <sub>l</sub> /I <sub>n</sub> )	: 8.5
Output	: 1.5 HP	Duty cycle	: S1
Frequency	: 60 Hz	Service factor	: 1.15 (1.00 at 208V)
Full load speed	: 1750 rpm	Design	: A
Voltage	: 208-230/460 V	Locked rotor torque	: 310 %
Rated current	: 4.80-4.60/2.30 A	Breakdown torque	: 350 %
Insulation class	: F		

Notes:  
 Downloaded from <http://dealerselectric.com>  
 Generated for Model #00158ES3ED56

Performed by

Checked

1 2 3 4 5 6 7 8

A

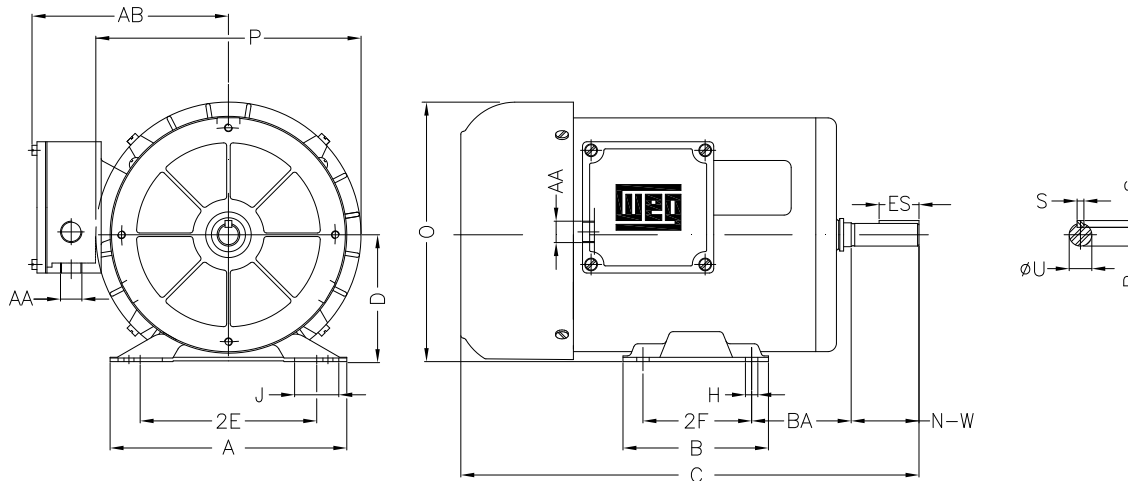
B

C

D

E

F



Notes: Downloaded from <http://dealerselectric.com>  
Generated for Model #00158ES3ED56

Performed by:

Checked:

Customer:

Three-Phase : NEMA 56 Frames - TEFC

2E 4.874	2F 3.000	H 0.343	BA 2.748	A 6.535
B 4.016	C 12.283	D 3.500	J 1.220	O 7.165
P 7.323	S 0.187	ES 1.102	R 0.517	N-W 1.874
U 0.6250	AB 5.433	AA 2XNPT 1/2"		

Three-phase induction motor  
Frame D56 - IP55

12-SEP-2016



1 2 3 4 5 6 7 8

A

### LOW VOLTAGE

### HIGH VOLTAGE

B



C



D

E

F

Notes: Downloaded from <http://dealerselectric.com>  
 Generated for Model #00158ES3ED56

Performed by:

Checked:

Customer:

Three-Phase : NEMA 56 Frames - TEFC

Three-phase induction motor  
 Frame D56 - IP55

12-SEP-2016

