



Dealers Industrial Equipment

No.:

Date: 12-SEP-2016

Customer :

TECHNICAL PROPOSAL

Single-phase induction motor - Squirrel cage rotor

Product line : Farm Duty Motors : TEFC (IP55) - Single-Phase

Catalog Number : 00158ES1RFDF56H

List Price : \$502

Notes:

Downloaded from <http://dealerselectric.com>

Generated for Model #00158ES1RFDF56H

Performed by:

Checked:



Dealers Industrial Equipment

No.:

Date: 12-SEP-2016

DATA SHEET Single-phase induction motor - Squirrel cage rotor

Customer :
Product line : Farm Duty Motors : TEFC (IP55) - Single-Phase

Frame : F56H
Output : 1.5 HP
Frequency : 60 Hz
Poles : 4
Full load speed : 1750 rpm
Slip : 2.78 %
Voltage : 115/230 V
Rated current : 17.4/8.70 A
Locked rotor current : 113/56.6 A
Locked rotor current (I_L/I_n) : 6.5
No-load current : 11.8/5.90 A
Full load torque : 4.44 lb.ft
Locked rotor torque : 280 %
Breakdown torque : 260 %
Design : ---
Insulation class : B
Temperature rise : 80 K
Locked rotor time : 6 s (hot)
Service factor : 1.15
Duty cycle : S1
Ambient temperature : -20°C - +40°C
Altitude : 1000 m
Degree of Protection : IP55
Approximate weight : 50 lb
Moment of inertia : 0.19554 sq.ft.lb
Noise level : ---

	D.E.	N.D.E.
Bearings	6204 ZZ	6203 ZZ
Regreasing interval	---	---
Grease amount	---	---

Load	Power factor	Efficiency (%)
100%	0.72	76.5
75%	0.64	75.0
50%	0.52	70.0

Notes:
Downloaded from <http://dealerselectric.com>
Generated for Model #00158ES1RFDF56H

Performed by

Checked

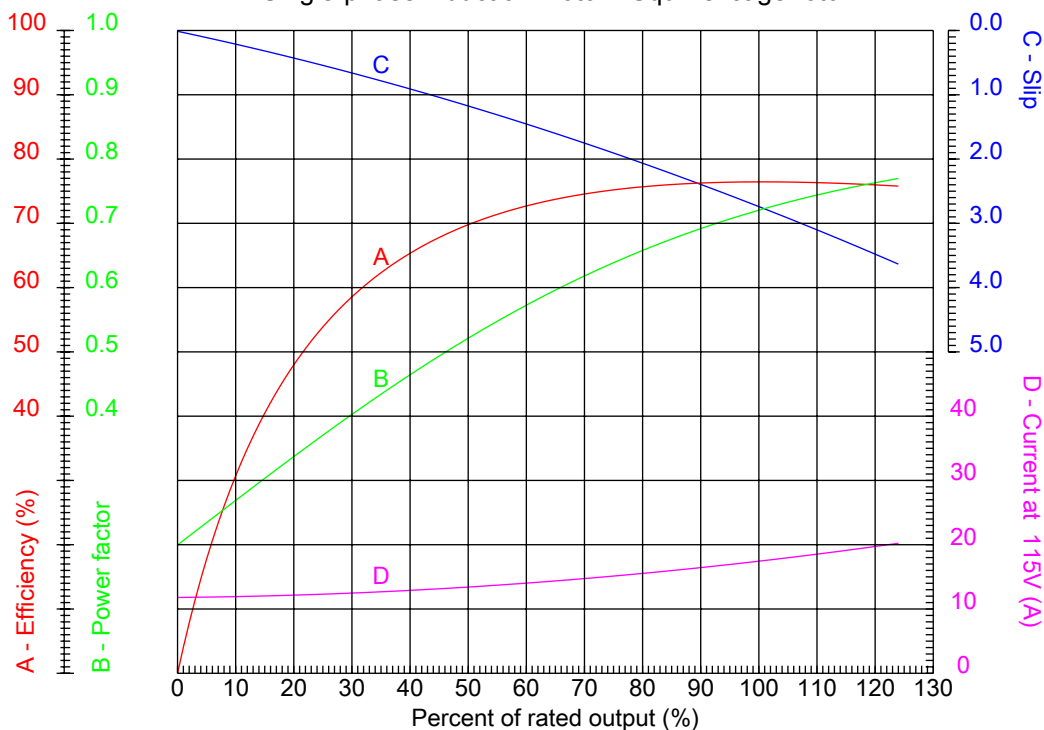


Dealers Industrial Equipment

No.:

Date: 12-SEP-2016

PERFORMANCE CURVES RELATED TO RATED OUTPUT Single-phase induction motor - Squirrel cage rotor



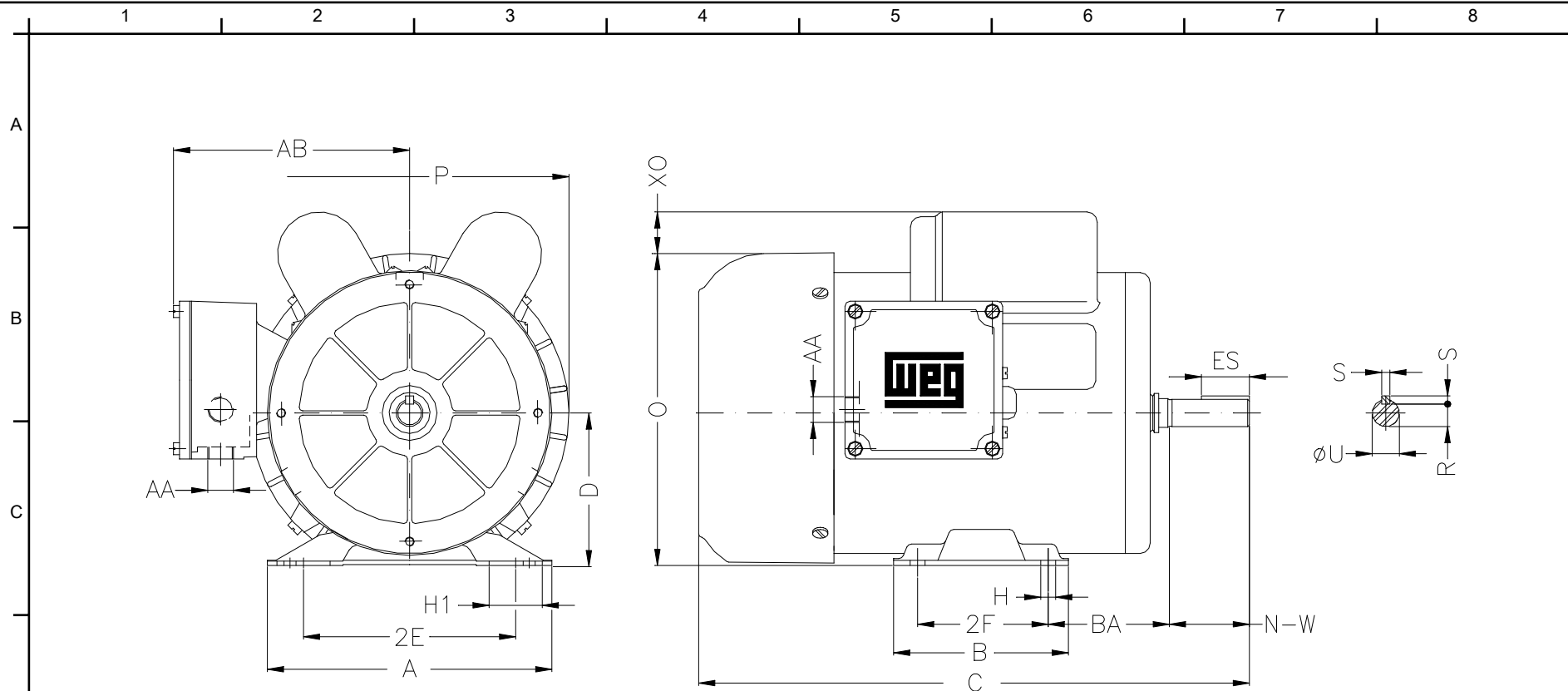
Customer :
 Product line : Farm Duty Motors : TEFC (IP55) - Single-Phase

Frame	: F56H	Locked rotor current (I _l /I _n)	: 6.5
Output	: 1.5 HP	Duty cycle	: S1
Frequency	: 60 Hz	Service factor	: 1.15
Full load speed	: 1750 rpm	Design	: ---
Voltage	: 115/230 V	Locked rotor torque	: 280 %
Rated current	: 17.4/8.70 A	Breakdown torque	: 260 %
Insulation class	: B		

Notes:
 Downloaded from <http://dealerselectric.com>
 Generated for Model #00158ES1RFDF56H

Performed by

Checked



Notes: Downloaded from <http://dealerselectric.com>
 Generated for Model #00158ES1RFDF56H

Performed by:

Checked:

Customer:

Farm Duty Motors : TEFC (IP55) - Single-Phase

2E 4.874	2F 3.000	H 0.342	BA 2.750	A 6.535
B 6.496	C 13.464	D 3.500	G 3.04	J 1.220
K 5.000	O 7.165	P 7.323	ES 1.102	S 0.187
N-W 1.874	U 0.6250	R 0.517	AB 5.433	AA 2xNPT 1/2"
d1 A 3.15				

Single-phase induction motor
 Frame F56H - IP55

12-SEP-2016

