



Dealers Industrial Equipment

No.:

Date: 12-SEP-2016

Customer :

TECHNICAL PROPOSAL

Single-phase induction motor - Squirrel cage rotor

Product line : Farm Duty Motors : TEFC (IP55) - Single-Phase

Catalog Number : 00158ES1RFD145T

List Price : \$504

Notes:

Downloaded from <http://dealerselectric.com>

Generated for Model #00158ES1RFD145T

Performed by:

Checked:



Dealers Industrial Equipment

No.:

Date: 12-SEP-2016

DATA SHEET Single-phase induction motor - Squirrel cage rotor

Customer :
 Product line : Farm Duty Motors : TEFC (IP55) - Single-Phase

Frame : G145T
 Output : 1.5 HP
 Frequency : 60 Hz
 Poles : 4
 Full load speed : 1750 rpm
 Slip : 2.78 %
 Voltage : 115/230 V
 Rated current : 17.4/8.70 A
 Locked rotor current : 113/56.6 A
 Locked rotor current (I_L/I_n) : 6.5
 No-load current : 11.8/5.90 A
 Full load torque : 4.44 lb.ft
 Locked rotor torque : 280 %
 Breakdown torque : 260 %
 Design : ---
 Insulation class : B
 Temperature rise : 80 K
 Locked rotor time : 6 s (hot)
 Service factor : 1.15
 Duty cycle : S1
 Ambient temperature : -20°C - +40°C
 Altitude : 1000 m
 Degree of Protection : IP55
 Approximate weight : 50 lb
 Moment of inertia : 0.19554 sq.ft.lb
 Noise level : ---

	D.E.	N.D.E.
Bearings	6205 ZZ	6203 ZZ
Regreasing interval	---	---
Grease amount	---	---

Load	Power factor	Efficiency (%)
100%	0.72	76.5
75%	0.64	75.0
50%	0.52	70.0

Notes:
 Downloaded from <http://dealerselectric.com>
 Generated for Model #00158ES1RFD145T

Performed by

Checked



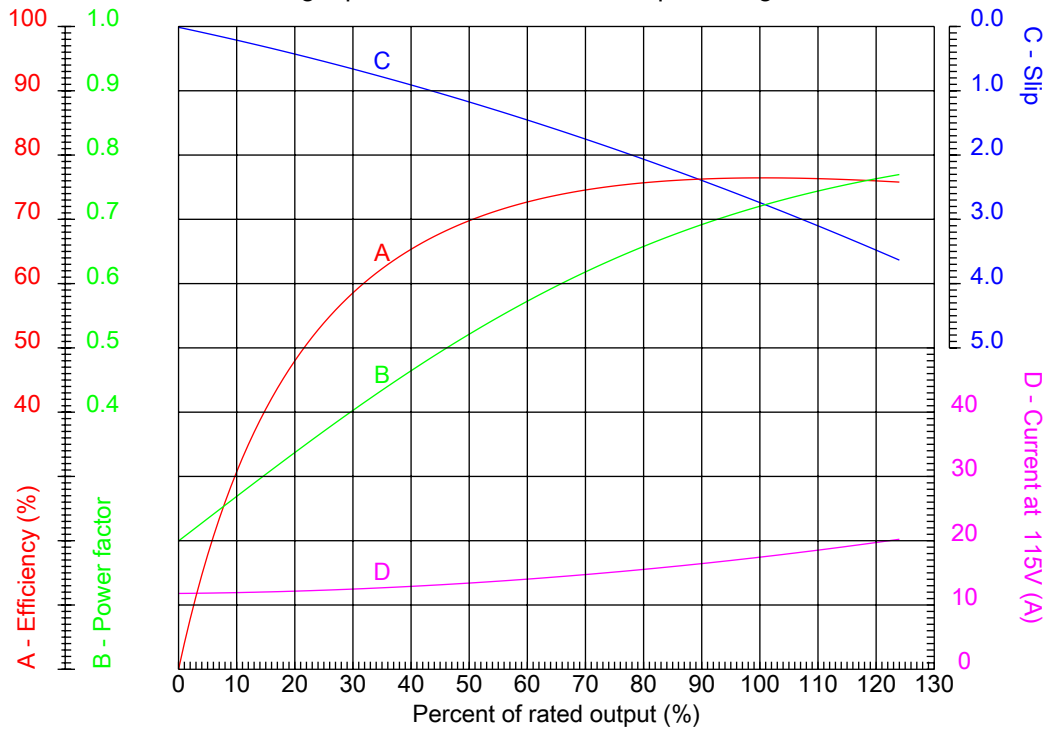
Dealers Industrial Equipment

No.:

Date: 12-SEP-2016

PERFORMANCE CURVES RELATED TO RATED OUTPUT

Single-phase induction motor - Squirrel cage rotor



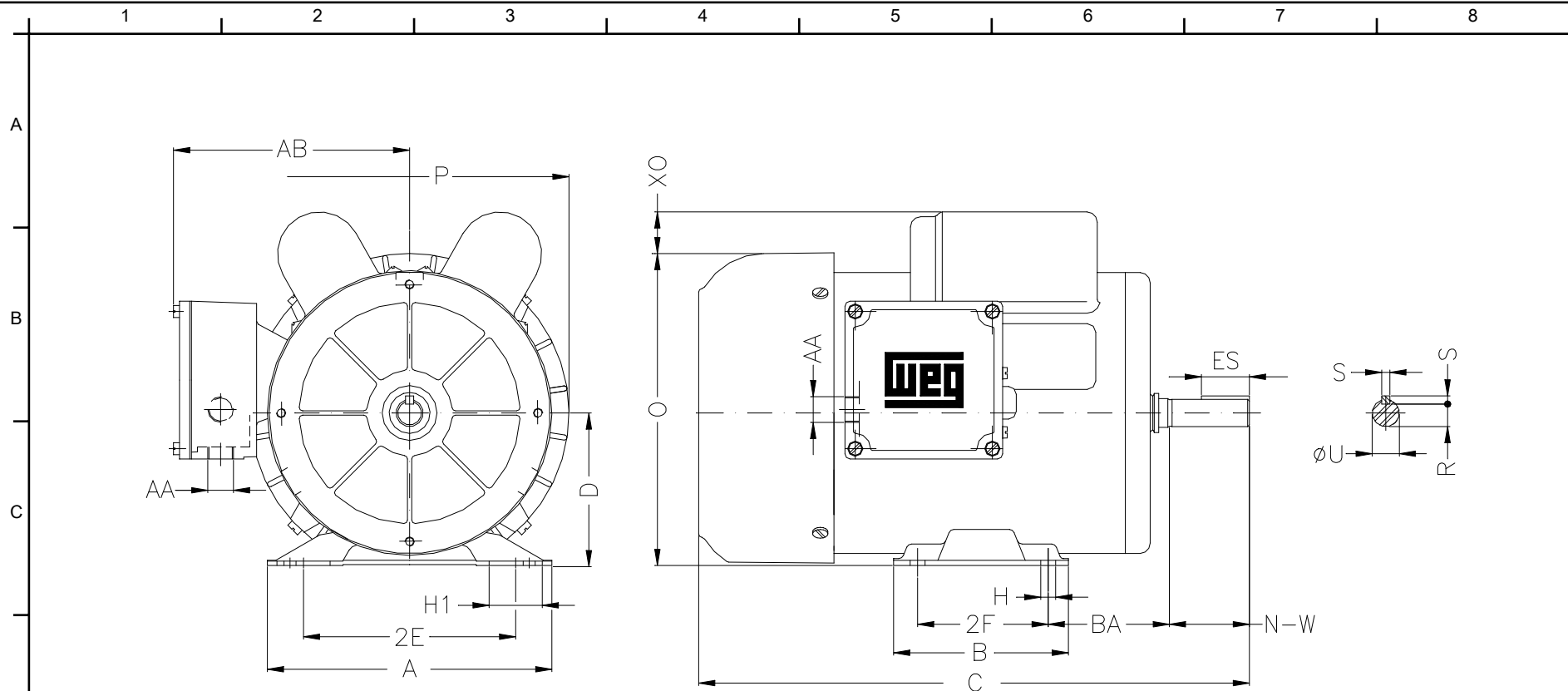
Customer :
 Product line : Farm Duty Motors : TEFC (IP55) - Single-Phase

Frame	: G145T	Locked rotor current (I _L /I _n)	: 6.5
Output	: 1.5 HP	Duty cycle	: S1
Frequency	: 60 Hz	Service factor	: 1.15
Full load speed	: 1750 rpm	Design	: ---
Voltage	: 115/230 V	Locked rotor torque	: 280 %
Rated current	: 17.4/8.70 A	Breakdown torque	: 260 %
Insulation class	: B		

Notes:
 Downloaded from <http://dealerselectric.com>
 Generated for Model #00158ES1RFD145T

Performed by

Checked



Notes: Downloaded from <http://dealerselectric.com>
 Generated for Model #00158ES1RFD145T

Performed by:

Checked:

Customer:

Farm Duty Motors : TEFC (IP55) - Single-Phase

2E 4.874	H 0.342	BA 2.250	A 6.535	D 3.500
J 1.220	K 4.000	O 7.165	P 7.323	

Single-phase induction motor
 Frame G145T - IP55

12-SEP-2016

