



Dealers Industrial Equipment

No.:

Date: 12-SEP-2016

Customer :

TECHNICAL PROPOSAL

Single-phase induction motor - Squirrel cage rotor

Product line : Close Coupled Pump : Single-Phase - "JP" Type - TEFC - Standard Efficiency

Catalog Number : 00158ES1E145JP

List Price : \$754

Notes:

Downloaded from <http://dealerselectric.com>

Generated for Model #00158ES1E145JP

Performed by:

Checked:



Dealers Industrial Equipment

No.:

Date: 12-SEP-2016

DATA SHEET Single-phase induction motor - Squirrel cage rotor

Customer :
 Product line : Close Coupled Pump : Single-Phase - "JP" Type - TEFC - Standard Efficiency

Frame : 145JP
 Output : 1.5 HP
 Frequency : 60 Hz
 Poles : 4
 Full load speed : 1760 rpm
 Slip : 2.22 %
 Voltage : 208-230/460 V
 Rated current : 7.20/3.60 A
 Locked rotor current : 59.8/29.9 A
 Locked rotor current (I_L/I_n) : 8.3
 No-load current : 4.00/2.00 A
 Full load torque : 4.42 lb.ft
 Locked rotor torque : 250 %
 Breakdown torque : 290 %
 Design : ---
 Insulation class : F
 Temperature rise : 80 K
 Locked rotor time : 6 s (hot)
 Service factor : 1.15
 Duty cycle : S1
 Ambient temperature : -20°C - +40°C
 Altitude : 1000 m
 Degree of Protection : IP55
 Approximate weight : 51 lb
 Moment of inertia : 0.15662 sq.ft.lb
 Noise level : 55 dB(A)

	D.E.	N.D.E.
Bearings	6206 ZZ	6203 ZZ
Regreasing interval	---	---
Grease amount	---	---

Load	Power factor	Efficiency (%)
100%	0.89	77.0
75%	0.85	72.0
50%	0.78	66.0

Notes:
 Downloaded from <http://dealerselectric.com>
 Generated for Model #00158ES1E145JP

Performed by

Checked

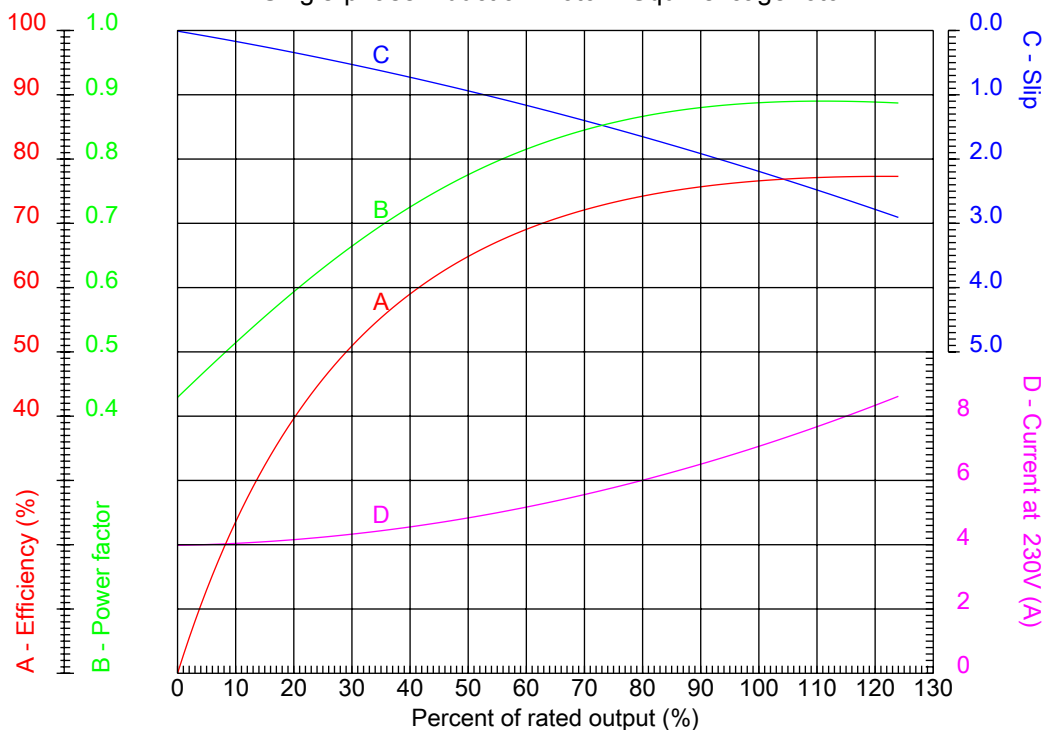


Dealers Industrial Equipment

No.:

Date: 12-SEP-2016

PERFORMANCE CURVES RELATED TO RATED OUTPUT Single-phase induction motor - Squirrel cage rotor



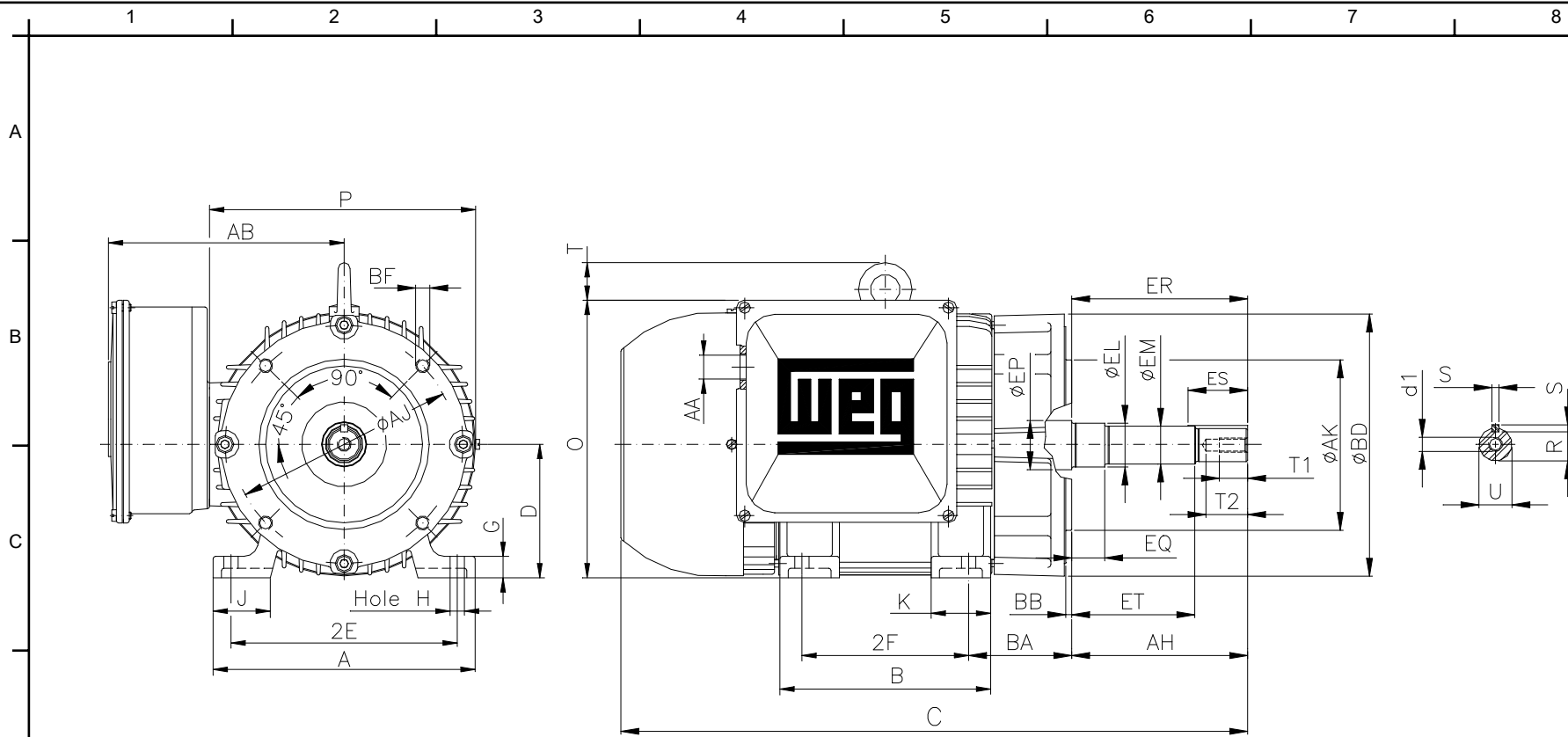
Customer :
Product line : Close Coupled Pump : Single-Phase - "JP" Type - TEFC - Standard Efficiency

Frame	: 145JP	Locked rotor current (I _l /I _n)	: 8.3
Output	: 1.5 HP	Duty cycle	: S1
Frequency	: 60 Hz	Service factor	: 1.15
Full load speed	: 1760 rpm	Design	: ---
Voltage	: 208-230/460 V	Locked rotor torque	: 250 %
Rated current	: 7.20/3.60 A	Breakdown torque	: 290 %
Insulation class	: F		

Notes:
Downloaded from <http://dealerselectric.com>
Generated for Model #00158ES1E145JP

Performed by

Checked



Notes: Downloaded from <http://dealerselectric.com>
Generated for Model #00158ES1E145JP

2E 5.500	2F 5.000	H 0.344	BA 2.560	A 6.457
B 6.142	D 3.500	G 0.547	J 1.496	K 1.654
O 7.000	P 7.047	AB 6.968	AA NPT 3/4	ER 7.319
EQ 1.563	ET 5.941	U 0.874	EM 1.000	EL 1.156
EP 1.179	S 0.187	R 0.768	ES 1.575	d1 EUNC 3/8-16
t1 0.748	t2 1.102	C 19.519	Flange FC-149	AJ 5.874
AK 4.500	BD 6.496	BF UNC 3/8"x16	BB 0.157	

Performed by:

Checked:

Customer:

Close Coupled Pump : Single-Phase - "JP" Type - TEFC - Standard Efficiency

Single-phase induction motor
Frame 145JP - IP55

12-SEP-2016

