



Dealers Industrial Equipment

No.:

Date: 12-SEP-2016

Customer :

TECHNICAL PROPOSAL

Single-phase induction motor - Squirrel cage rotor

Product line : Single-Phase : NEMA 56 TEFC

Catalog Number : 00158ES1BF56C

List Price : \$478

Notes:

Downloaded from <http://dealerselectric.com>

Generated for Model #00158ES1BF56C

Performed by:

Checked:



Dealers Industrial Equipment

No.:

Date: 12-SEP-2016

DATA SHEET

Single-phase induction motor - Squirrel cage rotor

Customer :
Product line : Single-Phase : NEMA 56 TEFC

Frame : F56H
Output : 1.5 HP
Frequency : 60 Hz
Poles : 4
Full load speed : 1750 rpm
Slip : 2.78 %
Voltage : 115/208-230 V
Rated current : 17.4/8.70-8.70 A
Locked rotor current : 113/56.6 A
Locked rotor current (I_L/I_n) : 6.5
No-load current : 11.8/5.90 A
Full load torque : 4.44 lb.ft
Locked rotor torque : 280 %
Breakdown torque : 260 %
Design : ---
Insulation class : B
Temperature rise : 80 K
Locked rotor time : 6 s (hot)
Service factor : 1.15 (1.00 at 208V)
Duty cycle : S1
Ambient temperature : -20°C - +40°C
Altitude : 1000 m
Degree of Protection : IP55
Approximate weight : 47 lb
Moment of inertia : 0.19554 sq.ft.lb
Noise level : ---

	D.E.	N.D.E.
Bearings	6204 ZZ	6203 ZZ
Regreasing interval	---	---
Grease amount	---	---

Load	Power factor	Efficiency (%)
100%	0.72	76.5
75%	0.64	75.0
50%	0.52	70.0

Notes:
Downloaded from <http://dealerselectric.com>
Generated for Model #00158ES1BF56C

Performed by

Checked



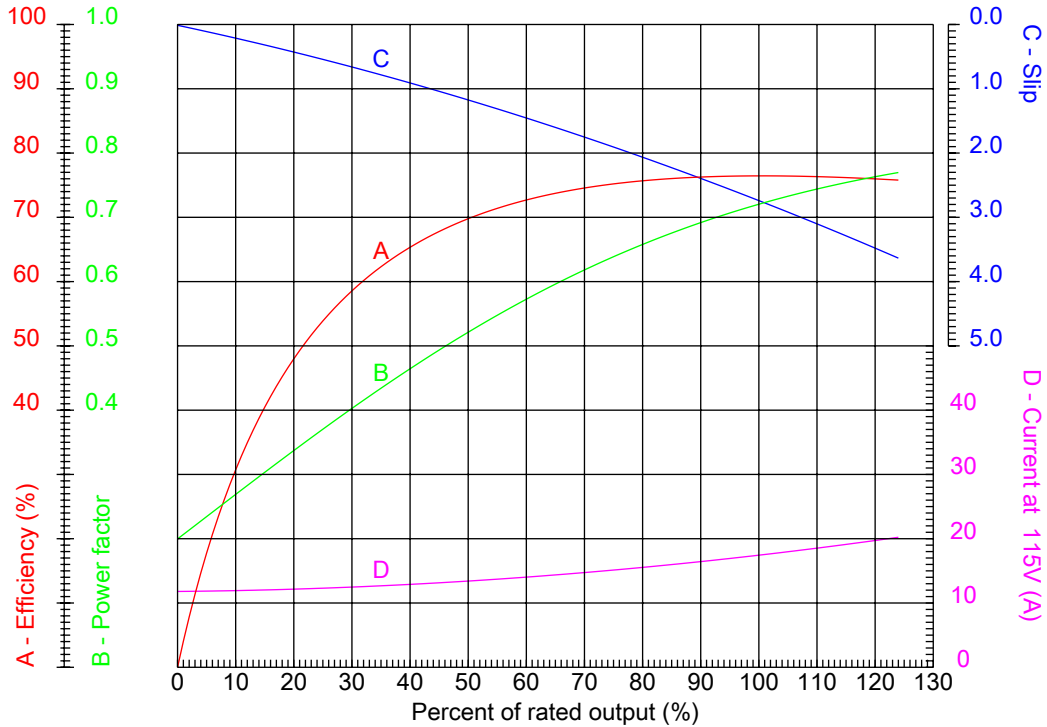
Dealers Industrial Equipment

No.:

Date: 12-SEP-2016

PERFORMANCE CURVES RELATED TO RATED OUTPUT

Single-phase induction motor - Squirrel cage rotor



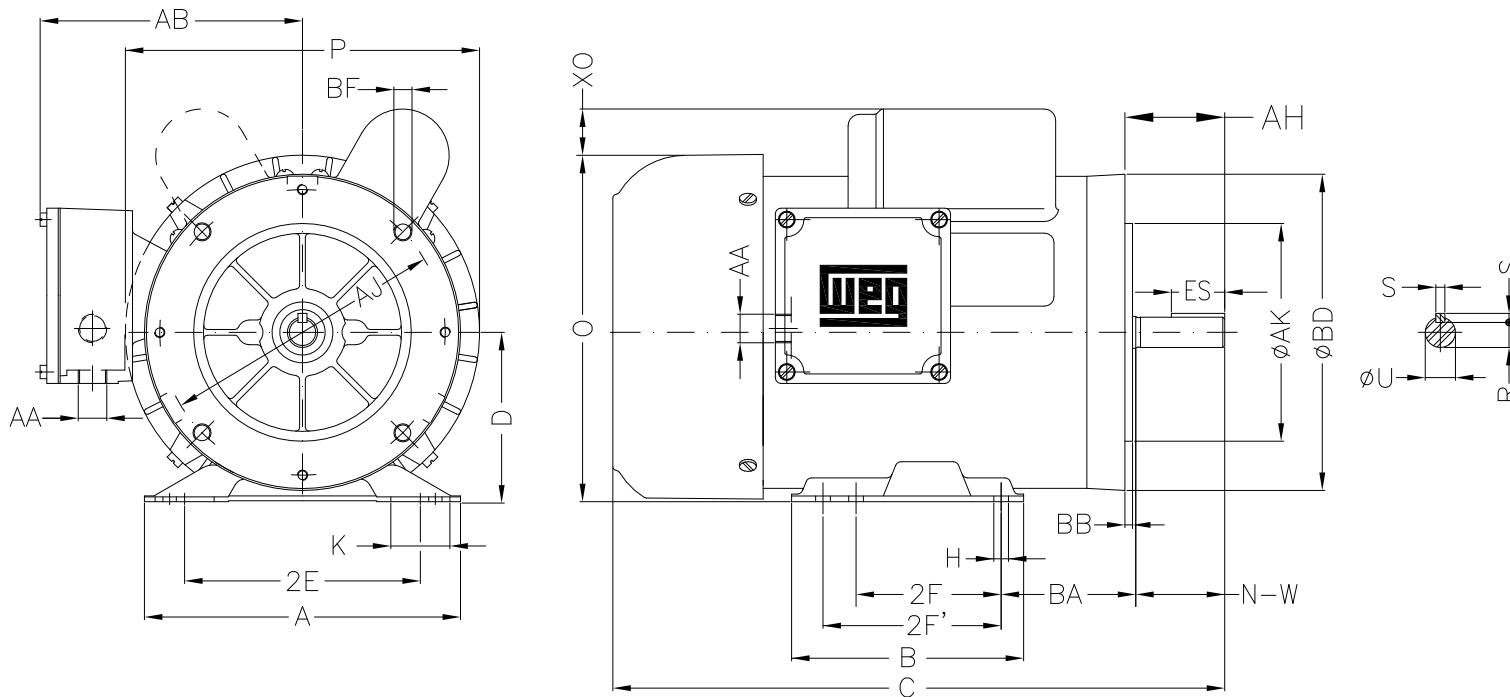
Customer :
 Product line : Single-Phase : NEMA 56 TEFC

Frame : F56H	Locked rotor current (I _L /I _n) : 6.5
Output : 1.5 HP	Duty cycle : S1
Frequency : 60 Hz	Service factor : 1.15 (1.00 at 208V)
Full load speed : 1750 rpm	Design : ---
Voltage : 115/208-230 V	Locked rotor torque : 280 %
Rated current : 17.4/8.70-8.70 A	Breakdown torque : 260 %
Insulation class : B	

Notes:
 Downloaded from <http://dealerselectric.com>
 Generated for Model #00158ES1BF56C

Performed by

Checked



Notes: Downloaded from <http://dealerselectric.com>
Generated for Model #00158ES1BF56C

Performed by:

Checked:

Customer:

Single-Phase : NEMA 56 TEFC

Single-phase induction motor
Frame F56H - IP55

12-SEP-2016



2E 4.874	H 0.342	A 6.535	2F 3.000	B 6.496
G 3.04	BA 2.750	J 1.220	K 5.000	P 7.323
ES 1.102	S 0.187	depth 0.187	N-W 1.874	U 0.6250
R 0.517	d1 A 3.15	D 3.500	O 7.165	XO 1.063
C 13.464	AA 2xNPT 1/2"	Flange FC-149	AJ 5.874	AK 4.500
BD 6.535	BF UNC 3/8"x16-2B	BB 0.157	AH 2.063	