



Dealers Industrial Equipment

No.:

Date: 12-SEP-2016

Customer :

TECHNICAL PROPOSAL

Three-phase induction motor - Squirrel cage rotor

Product line : Brake Motors : Three-Phase - High Efficiency
Catalog Number : 00158EP3EBM145T
List Price : \$>(discontinued)

Notes:
Downloaded from <http://dealerselectric.com>
Generated for Model #00158EP3EBM145T

Performed by:

Checked:



Dealers Industrial Equipment

No.:

Date: 12-SEP-2016

DATA SHEET Three-phase induction motor - Squirrel cage rotor

Customer :
 Product line : Brake Motors : Three-Phase - High Efficiency

Frame : 145T
 Output : 1.5 HP
 Frequency : 60 Hz
 Poles : 4
 Full load speed : 1760 rpm
 Slip : 2.22 %
 Voltage : 230/460 V
 Rated current : 4.10/2.05 A
 Locked rotor current : 34.8/17.4 A
 Locked rotor current (I_L/I_n) : 8.5
 No-load current : 2.49/1.24 A
 Full load torque : 4.42 lb.ft
 Locked rotor torque : 270 %
 Breakdown torque : 370 %
 Design : B
 Insulation class : F
 Temperature rise : 80 K
 Locked rotor time : 13 s (hot)
 Service factor : 1.25
 Duty cycle : S1
 Ambient temperature : -20°C - +40°C
 Altitude : 1000 m
 Degree of Protection : IP55
 Approximate weight : 58 lb
 Moment of inertia : 0.11960 sq.ft.lb
 Noise level : 51 dB(A)

	D.E.	N.D.E.
Bearings	6205 ZZ	6204 ZZ
Regreasing interval	---	---
Grease amount	---	---

Load	Power factor	Efficiency (%)
100%	0.80	84.0
75%	0.72	84.0
50%	0.60	80.0

Notes:
 Downloaded from <http://dealerselectric.com>
 Generated for Model #00158EP3EBM145T

Performed by

Checked



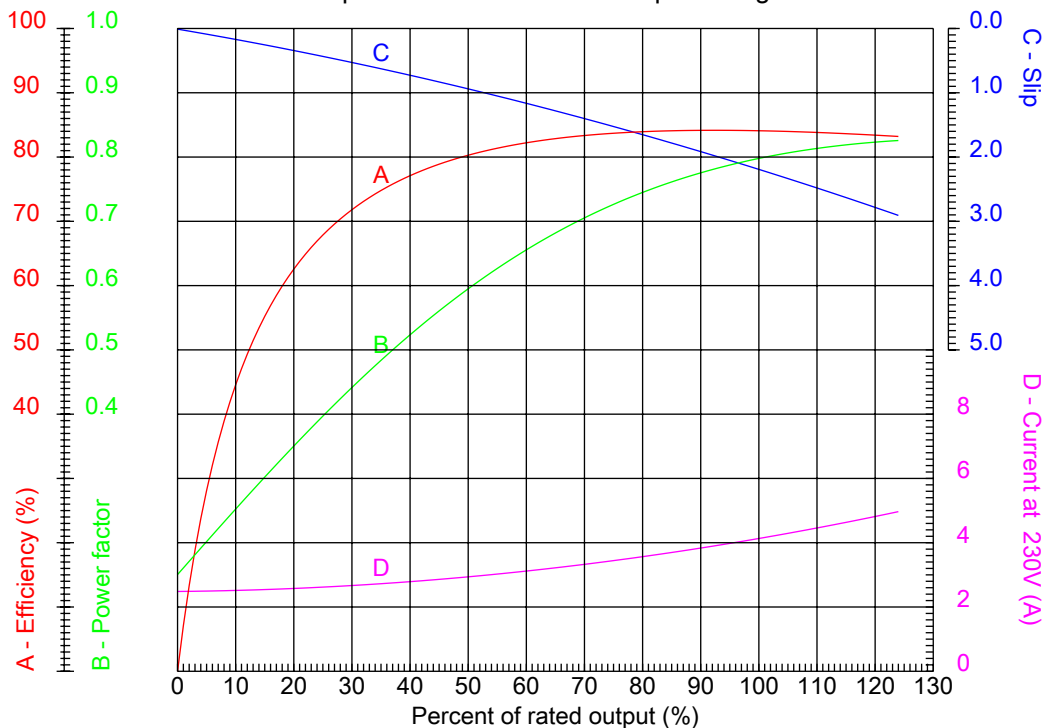
Dealers Industrial Equipment

No.:

Date: 12-SEP-2016

PERFORMANCE CURVES RELATED TO RATED OUTPUT

Three-phase induction motor - Squirrel cage rotor



Customer :
 Product line : Brake Motors : Three-Phase - High Efficiency

Frame	: 145T	Locked rotor current (I _l /I _n)	: 8.5
Output	: 1.5 HP	Duty cycle	: S1
Frequency	: 60 Hz	Service factor	: 1.25
Full load speed	: 1760 rpm	Design	: B
Voltage	: 230/460 V	Locked rotor torque	: 270 %
Rated current	: 4.10/2.05 A	Breakdown torque	: 370 %
Insulation class	: F		

Notes:
 Downloaded from <http://dealerselectric.com>
 Generated for Model #00158EP3EBM145T

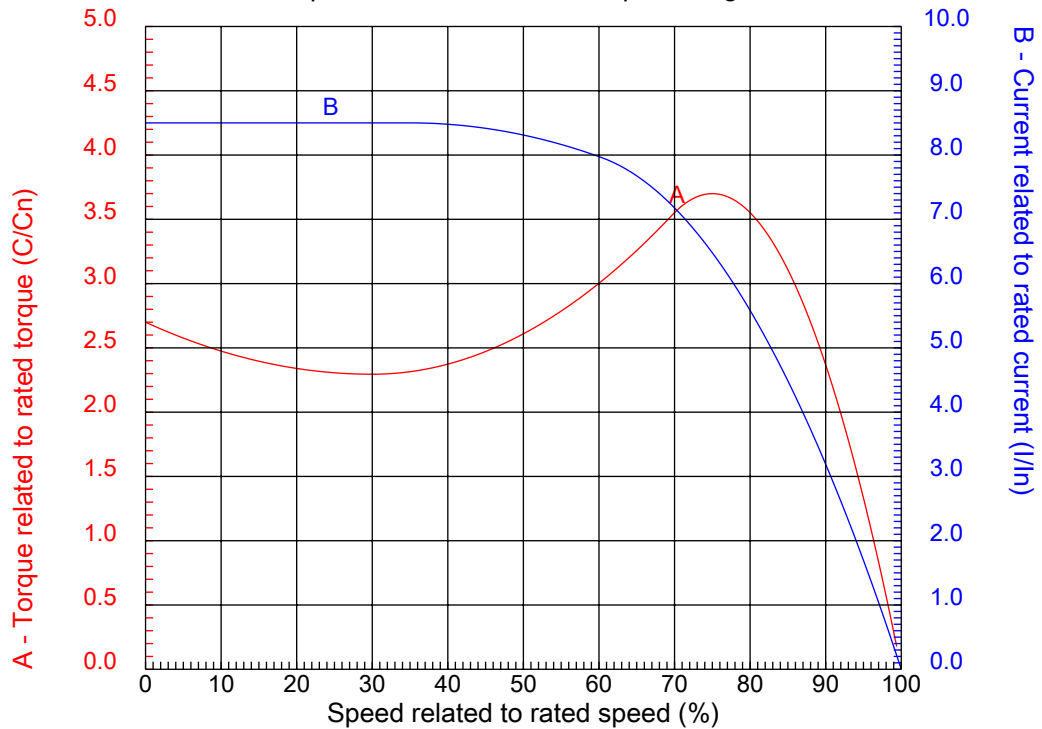
Performed by

Checked



CHARACTERISTIC CURVES RELATED TO SPEED

Three-phase induction motor - Squirrel cage rotor



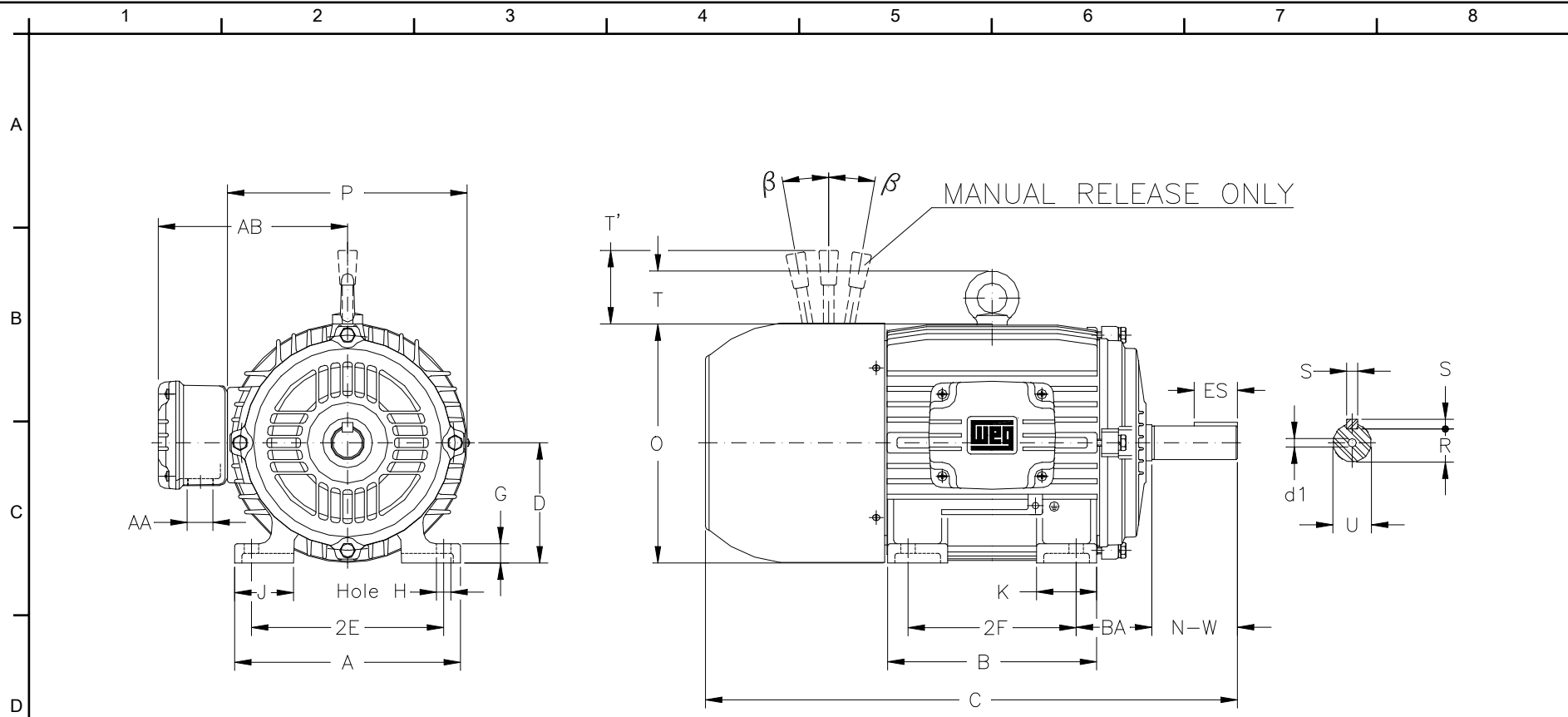
Customer :
Product line : Brake Motors : Three-Phase - High Efficiency

Frame	: 145T	Locked rotor current (I _l /I _n)	: 8.5
Output	: 1.5 HP	Duty cycle	: S1
Frequency	: 60 Hz	Service factor	: 1.25
Full load speed	: 1760 rpm	Design	: B
Voltage	: 230/460 V	Locked rotor torque	: 270 %
Rated current	: 4.10/2.05 A	Breakdown torque	: 370 %
Insulation class	: F		

Notes:
Downloaded from <http://dealerselectric.com>
Generated for Model #00158EP3EBM145T

Performed by

Checked



Notes: Downloaded from <http://dealerselectric.com>
 Generated for Model #00158EP3EBM145T

Performed by:

Checked:

Customer:

2E 5.500	A 6.457	2F 5.000	B 6.142	BA 2.250
J 1.496	K 1.654	P 7.047	ES 1.575	depth 0.187
S 0.187	N-W 2.250	U 0.875	R 0.771	AB 6.102
D 3.500	G 0.547	O 7.000	H 0.344	C 16.166
AA NPT 3/4"	d1 A 4	d2 A 4		

Brake Motors : Three-Phase - High Efficiency

Three-phase induction motor
 Frame 145T - IP55

12-SEP-2016



1 2 3 4 5 6 7 8

A

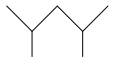
LOW VOLTAGE

HIGH VOLTAGE

B



C



D

E

F

Notes: Downloaded from <http://dealerselectric.com>
 Generated for Model #00158EP3EBM145T

Performed by:

Checked:

Customer:

Brake Motors : Three-Phase - High Efficiency

Three-phase induction motor
 Frame 145T - IP55

12-SEP-2016

