



Dealers Industrial Equipment

No.:

Date: 12-SEP-2016

Customer :

TECHNICAL PROPOSAL

Three-phase induction motor - Squirrel cage rotor

Product line : Close Coupled Pump: Three-Phase - W22 "JP" Type - TEFC - High Efficiency

Catalog Number : 00158EP3E145JP-W22

List Price : \$>(discontinued)

Notes:

Downloaded from <http://dealerselectric.com>

Generated for Model #00158EP3E145JP-W22

Performed by:

Checked:



Dealers Industrial Equipment

No.:

Date: 12-SEP-2016

DATA SHEET

Three-phase induction motor - Squirrel cage rotor

Customer :
 Product line : Close Coupled Pump: Three-Phase - W22 "JP" Type - TEFC - High Efficiency

Frame : 143/5JP
 Output : 1.5 HP
 Frequency : 60 Hz
 Poles : 4
 Full load speed : 1765 rpm
 Slip : 1.94 %
 Voltage : 208-230/460 V
 Rated current : 4.53-4.50/2.25 A
 Locked rotor current : 40.5/20.3 A
 Locked rotor current (I_L/I_n) : 9.0
 No-load current : 3.08/1.54 A
 Full load torque : 4.40 lb.ft
 Locked rotor torque : 250 %
 Breakdown torque : 300 %
 Design : B
 Insulation class : F
 Temperature rise : 80 K
 Locked rotor time : 14 s (hot)
 Service factor : 1.25
 Duty cycle : S1
 Ambient temperature : -20°C - +40°C
 Altitude : 1000 m
 Degree of Protection : IP55
 Approximate weight : 41 lb
 Moment of inertia : 0.11723 sq.ft.lb
 Noise level : 51 dB(A)

| | D.E. | N.D.E. |
|---------------------|---------|---------|
| Bearings | 6206 ZZ | 6204 ZZ |
| Regreasing interval | --- | --- |
| Grease amount | --- | --- |

| Load | Power factor | Efficiency (%) |
|------|--------------|----------------|
| 100% | 0.73 | 84.0 |
| 75% | 0.65 | 82.5 |
| 50% | 0.53 | 80.0 |

Notes:
 Downloaded from <http://dealerselectric.com>
 Generated for Model #00158EP3E145JP-W22

Performed by

Checked



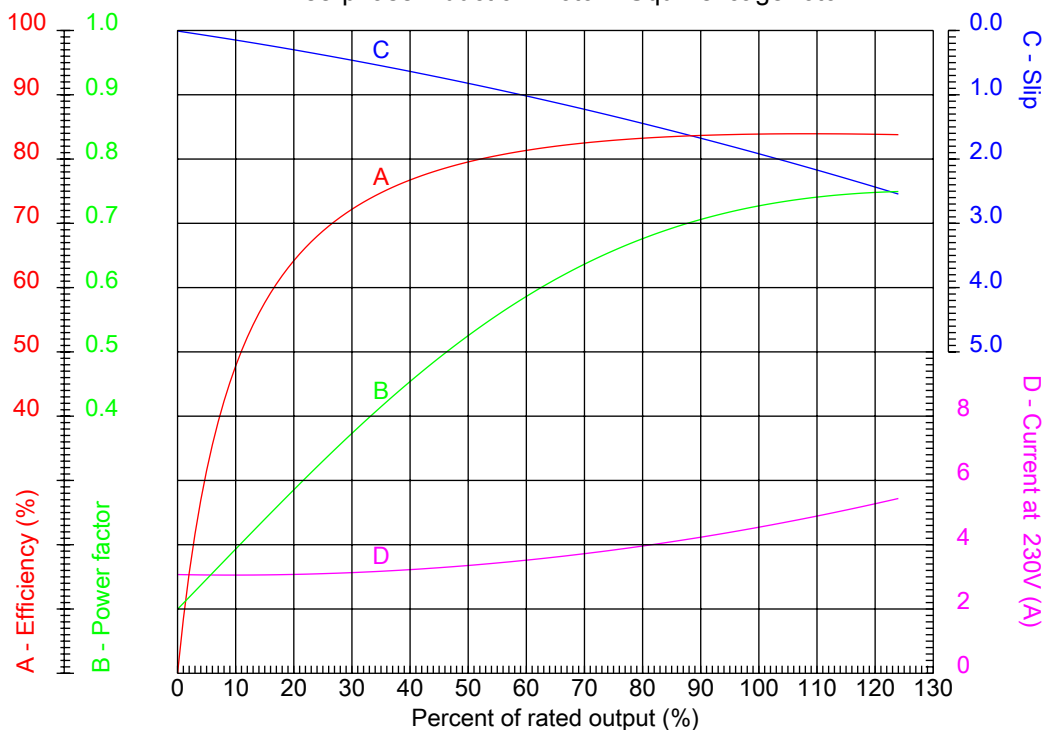
Dealers Industrial Equipment

No.:

Date: 12-SEP-2016

PERFORMANCE CURVES RELATED TO RATED OUTPUT

Three-phase induction motor - Squirrel cage rotor



Customer :
 Product line : Close Coupled Pump: Three-Phase - W22 "JP" Type - TEFC - High Efficiency

| | | | |
|------------------|--------------------|--|---------|
| Frame | : 143/5JP | Locked rotor current (I _l /I _n) | : 9.0 |
| Output | : 1.5 HP | Duty cycle | : S1 |
| Frequency | : 60 Hz | Service factor | : 1.25 |
| Full load speed | : 1765 rpm | Design | : B |
| Voltage | : 208-230/460 V | Locked rotor torque | : 250 % |
| Rated current | : 4.53-4.50/2.25 A | Breakdown torque | : 300 % |
| Insulation class | : F | | |

Notes:
 Downloaded from <http://dealerselectric.com>
 Generated for Model #00158EP3E145JP-W22

Performed by

Checked



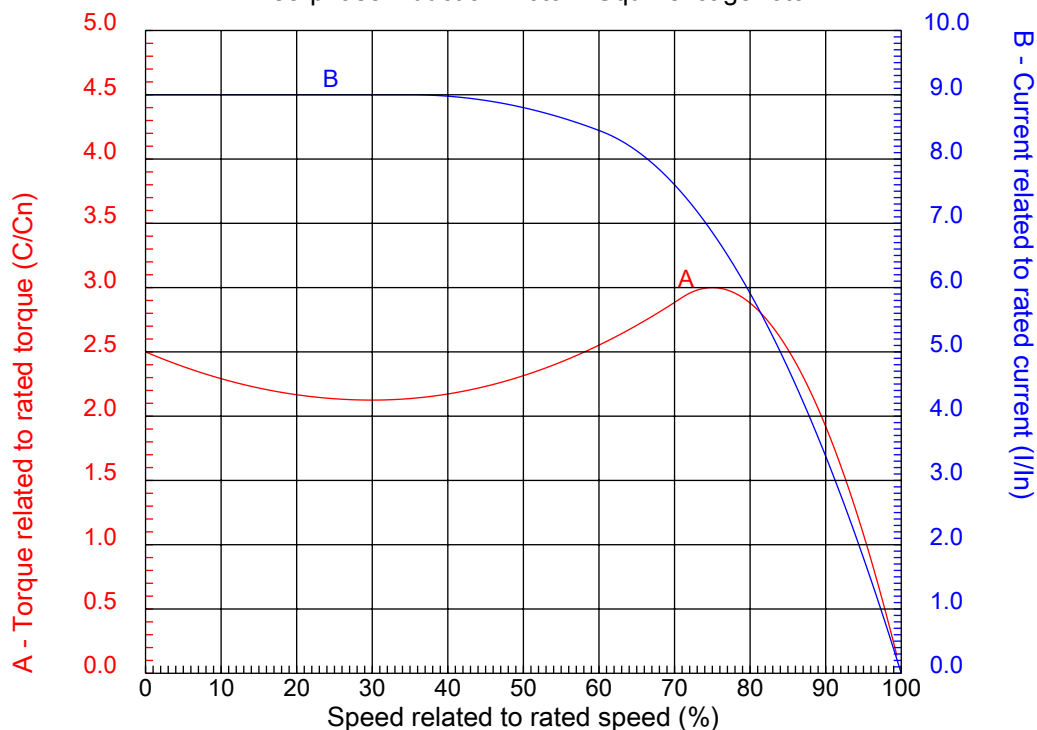
Dealers Industrial Equipment

No.:

Date: 12-SEP-2016

CHARACTERISTIC CURVES RELATED TO SPEED

Three-phase induction motor - Squirrel cage rotor



Customer :
Product line : Close Coupled Pump: Three-Phase - W22 "JP" Type - TEFC - High Efficiency

| | | | |
|------------------|--------------------|--|---------|
| Frame | : 143/5JP | Locked rotor current (I _l /I _n) | : 9.0 |
| Output | : 1.5 HP | Duty cycle | : S1 |
| Frequency | : 60 Hz | Service factor | : 1.25 |
| Full load speed | : 1765 rpm | Design | : B |
| Voltage | : 208-230/460 V | Locked rotor torque | : 250 % |
| Rated current | : 4.53-4.50/2.25 A | Breakdown torque | : 300 % |
| Insulation class | : F | | |

Notes:
Downloaded from <http://dealerselectric.com>
Generated for Model #00158EP3E145JP-W22

Performed by

Checked

1 2 3 4 5 6 7 8

A

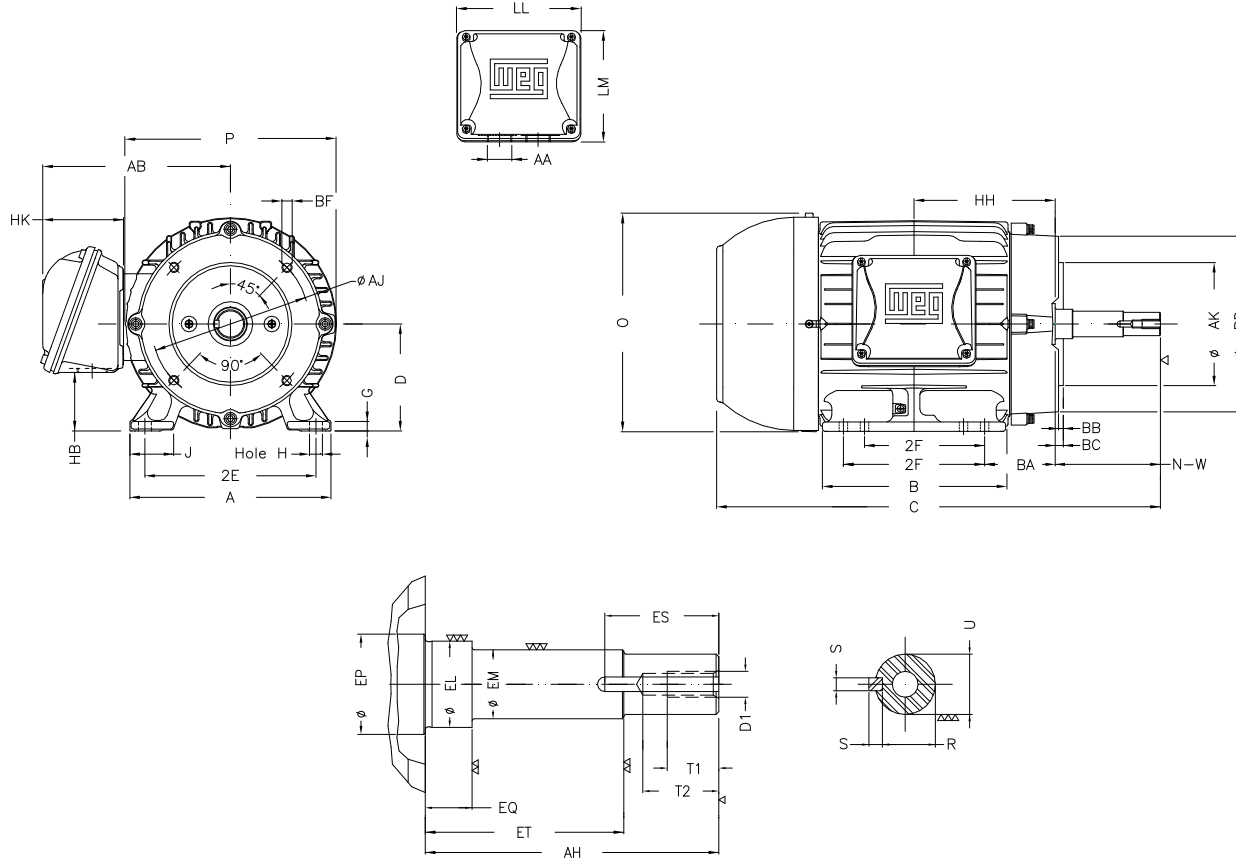
B

C

D

E

F



Notes: Downloaded from <http://dealerselectric.com>
Generated for Model #00158EP3E145JP-W22

Performed by:

Checked:

Customer:

Close Coupled Pump: Three-Phase - W22 "JP" Type - TEFC - High Efficiency

Three-phase induction motor
Frame 143/5JP - IP55

12-SEP-2016



| | | | | |
|-------------|--------|----------|--------------|-------|
| 2E | J | A | P | AB |
| 5.500 | 1.437 | 6.457 | 7.047 | 6.260 |
| 2F | B | BA | D | G |
| 4.000/5.000 | 6.142 | 2.560 | 3.500 | 0.354 |
| O | H | AA | EQ | ET |
| 7.122 | 0.344 | NPT 3/4" | 1.563 | 5.941 |
| U | EM | EL | EP | ES |
| 0.874 | 1.000 | 1.156 | 1.179 | 1.654 |
| t1 | t2 | C | d1 | HH |
| 0.748 | 1.102 | 18.736 | EUNC 3/8"-16 | 4.750 |
| HK | HB | LL | LM | S |
| 2.638 | 1.787 | 4.528 | 4.094 | 0.187 |
| R | Flange | AJ | AK | BD |
| 0.768 | FC-149 | 5.874 | 4.500 | 6.496 |
| BF | BB | AH | | |
| UNC 3/8"x16 | 0.157 | 7.319 | | |

1 2 3 4 5 6 7 8

A

LOW VOLTAGE

HIGH VOLTAGE

B



C



D

E

F

Notes: Downloaded from <http://dealerselectric.com>
 Generated for Model #00158EP3E145JP-W22

Performed by:

Checked:

Customer:

Close Coupled Pump: Three-Phase - W22 "JP" Type - TEFC - High Efficiency

Three-phase induction motor
 Frame 143/5JP - IP55

12-SEP-2016

