



# Dealers Industrial Equipment

No.:

Date: 12-SEP-2016

Customer :

## TECHNICAL PROPOSAL

### Three-phase induction motor - Squirrel cage rotor

Product line : W22 Super Premium

Catalog Number : 00158EG3EL145T-W22

List Price : \$606

#### Notes:

Downloaded from <http://dealerselectric.com>

Generated for Model #00158EG3EL145T-W22

Performed by:

Checked:



# Dealers Industrial Equipment

No.:

Date: 12-SEP-2016

## DATA SHEET Three-phase induction motor - Squirrel cage rotor

Customer :  
Product line : W22 Super Premium

Frame : L143/5T  
Output : 1.5 HP  
Frequency : 60 Hz  
Poles : 4  
Full load speed : 1760 rpm  
Slip : 2.22 %  
Voltage : 208-230/460 V  
Rated current : 3.86/1.93 A  
Locked rotor current : 34.0/17.0 A  
Locked rotor current (I<sub>L</sub>/I<sub>n</sub>) : 8.8  
No-load current : 2.20/1.10 A  
Full load torque : 4.42 lb.ft  
Locked rotor torque : 280 %  
Breakdown torque : 340 %  
Design : A  
Insulation class : F  
Temperature rise : 80 K  
Locked rotor time : 20 s (hot)  
Service factor : 1.25 (1.00 at 208V)  
Duty cycle : S1  
Ambient temperature : -20°C - +40°C  
Altitude : 1000 m  
Degree of Protection : IP55  
Approximate weight : 55 lb  
Moment of inertia : 0.18153 sq.ft.lb  
Noise level : 51 dB(A)

	D.E.	N.D.E.
Bearings	6205 ZZ	6204 ZZ
Regreasing interval	---	---
Grease amount	---	---

Load	Power factor	Efficiency (%)
100%	0.81	88.5
75%	0.74	87.5
50%	0.62	85.5

Notes:  
Downloaded from <http://dealerselectric.com>  
Generated for Model #00158EG3EL145T-W22

Performed by

Checked



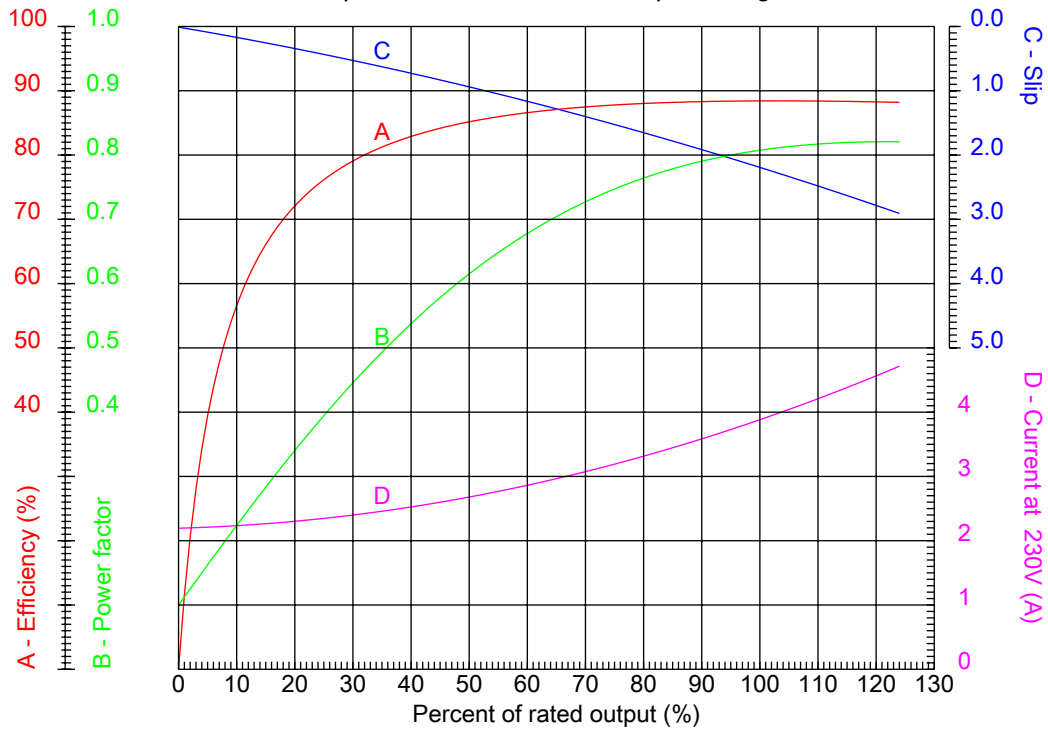
# Dealers Industrial Equipment

No.:

Date: 12-SEP-2016

## PERFORMANCE CURVES RELATED TO RATED OUTPUT

Three-phase induction motor - Squirrel cage rotor



Customer :  
Product line : W22 Super Premium

Frame : L143/5T	Locked rotor current (I <sub>l</sub> /I <sub>n</sub> ) : 8.8
Output : 1.5 HP	Duty cycle : S1
Frequency : 60 Hz	Service factor : 1.25 (1.00 at 208V)
Full load speed : 1760 rpm	Design : A
Voltage : 208-230/460 V	Locked rotor torque : 280 %
Rated current : 3.86/1.93 A	Breakdown torque : 340 %
Insulation class : F	

Notes:  
Downloaded from <http://dealerselectric.com>  
Generated for Model #00158EG3EL145T-W22

Performed by

Checked



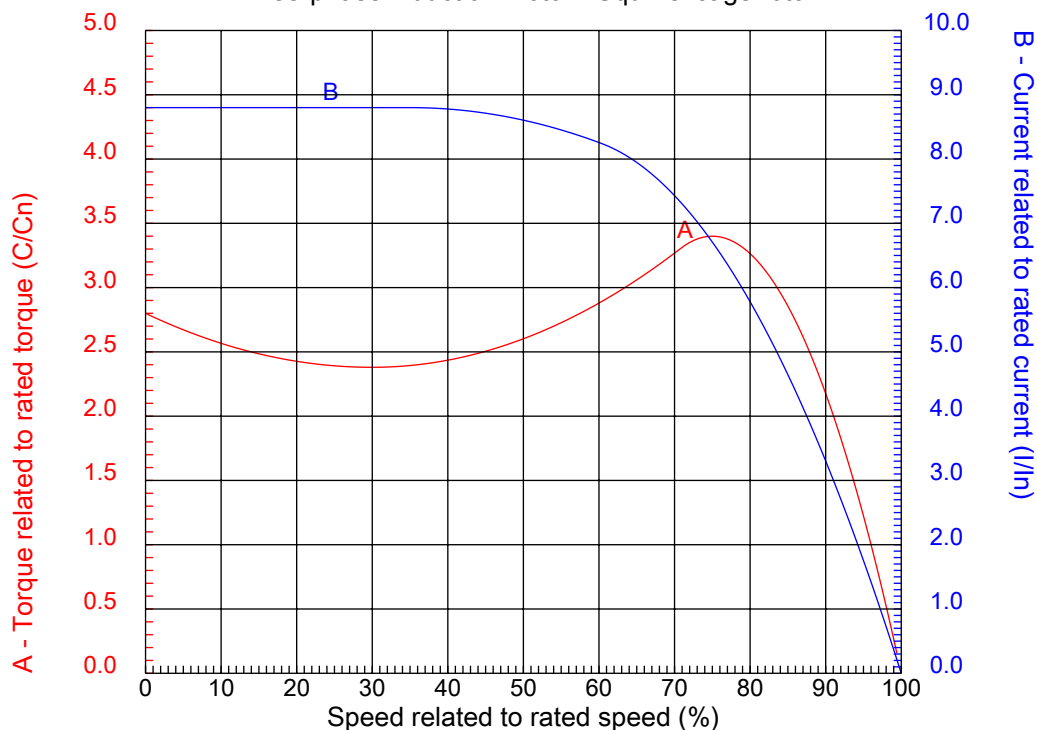
# Dealers Industrial Equipment

No.:

Date: 12-SEP-2016

## CHARACTERISTIC CURVES RELATED TO SPEED

Three-phase induction motor - Squirrel cage rotor



Customer :  
Product line : W22 Super Premium

Frame : L143/5T	Locked rotor current (I/Ih) : 8.8
Output : 1.5 HP	Duty cycle : S1
Frequency : 60 Hz	Service factor : 1.25 (1.00 at 208V)
Full load speed : 1760 rpm	Design : A
Voltage : 208-230/460 V	Locked rotor torque : 280 %
Rated current : 3.86/1.93 A	Breakdown torque : 340 %
Insulation class : F	

Notes:  
Downloaded from <http://dealerselectric.com>  
Generated for Model #00158EG3EL145T-W22

Performed by

Checked

1 2 3 4 5 6 7 8

A

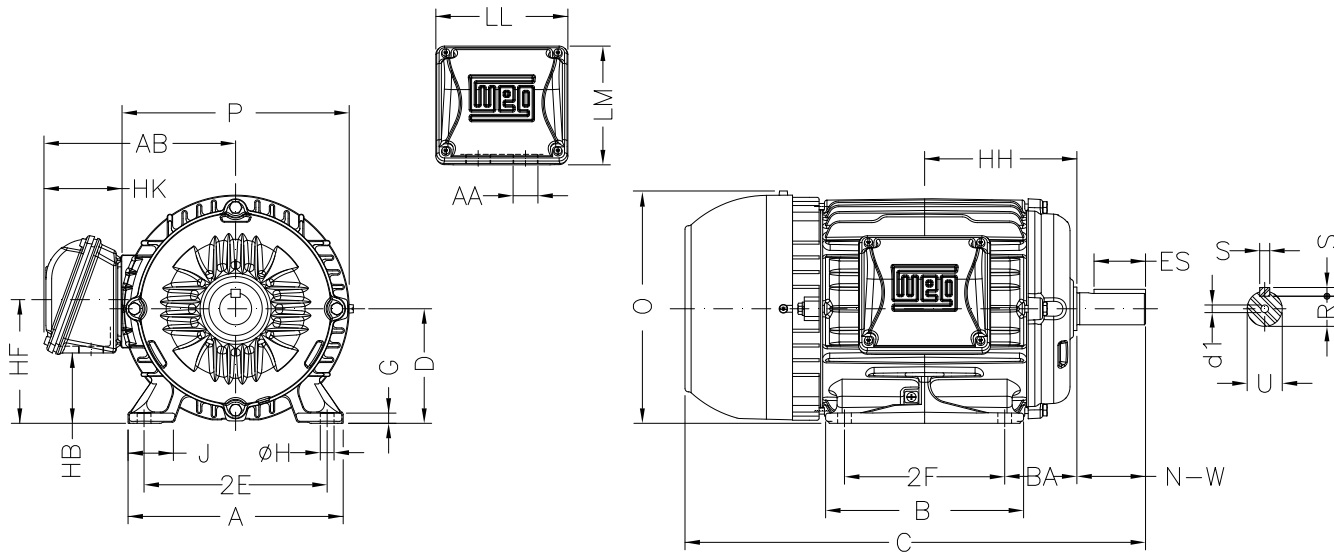
B

C

D

E

F



Notes: Downloaded from <http://dealerselectric.com>  
Generated for Model #00158EG3EL145T-W22

Performed by:

Checked:

Customer:

W22 Super Premium

Three-phase induction motor  
Frame L143/5T - IP55

12-SEP-2016



2E 5.500	J 1.437	A 6.457	P 7.047	AB 6.260
2F 4.000/5.000	B 6.142	BA 2.250	FBA 4.082	U 0.875
N-W 2.250	ES 1.575	S 0.187	R 0.771	depth 0.187
D 3.500	G 0.354	HB 1.787	O 7.122	HF 3.500
HH 4.750	HK 2.638	H 0.344	LL 4.528	LM 4.094
AA NPT 3/4"	d1 A 3.15			

1 2 3 4 5 6 7 8

A  
B  
C  
D  
E  
F

LOW VOLTAGE

HIGH VOLTAGE



CONNECTIONS FOR STARTING ONLY:

LOW VOLTAGE

HIGH VOLTAGE



Notes: Downloaded from <http://dealerselectric.com>  
Generated for Model #00158EG3EL145T-W22

Performed by:

Checked:

Customer:

W22 Super Premium

Three-phase induction motor  
Frame L143/5T - IP55

12-SEP-2016

