



Dealers Industrial Equipment

No.:

Date: 12-SEP-2016

Customer :

TECHNICAL PROPOSAL

Three-phase induction motor - Squirrel cage rotor

Product line : W22 Cooling Tower Motors: NEMA Premium - TEAO

Catalog Number : 00158AT3PCT145T-W22

List Price : \$696

Notes:

Downloaded from <http://dealerselectric.com>

Generated for Model #00158AT3PCT145T-W22

Performed by:

Checked:



Dealers Industrial Equipment

No.:

Date: 12-SEP-2016

DATA SHEET Three-phase induction motor - Squirrel cage rotor

Customer :
 Product line : W22 Cooling Tower Motors: NEMA Premium - TEAO

Frame : 143/5T
 Output : 1.5 HP
 Frequency : 60 Hz
 Poles : 4
 Full load speed : 1755 rpm
 Slip : 2.50 %
 Voltage : 200 V
 Rated current : 4.65 A
 Locked rotor current : 39.0 A
 Locked rotor current (I_L/I_n) : 8.4
 No-load current : 2.42 A
 Full load torque : 4.43 lb.ft
 Locked rotor torque : 250 %
 Breakdown torque : 340 %
 Design : B
 Insulation class : F
 Temperature rise : 80 K
 Locked rotor time : 14 s (hot)
 Service factor : 1.25
 Duty cycle : S1
 Ambient temperature : -20°C - +40°C
 Altitude : 1000 m
 Degree of Protection : IP55
 Approximate weight : 49 lb
 Moment of inertia : 0.14309 sq.ft.lb
 Noise level : 51 dB(A)

	D.E.	N.D.E.
Bearings	6205 2RS	6204 2RS
Regreasing interval	---	---
Grease amount	---	---

Load	Power factor	Efficiency (%)
100%	0.79	86.5
75%	0.70	85.5
50%	0.60	82.5

Notes:
 Downloaded from <http://dealerselectric.com>
 Generated for Model #00158AT3PCT145T-W22

Performed by

Checked



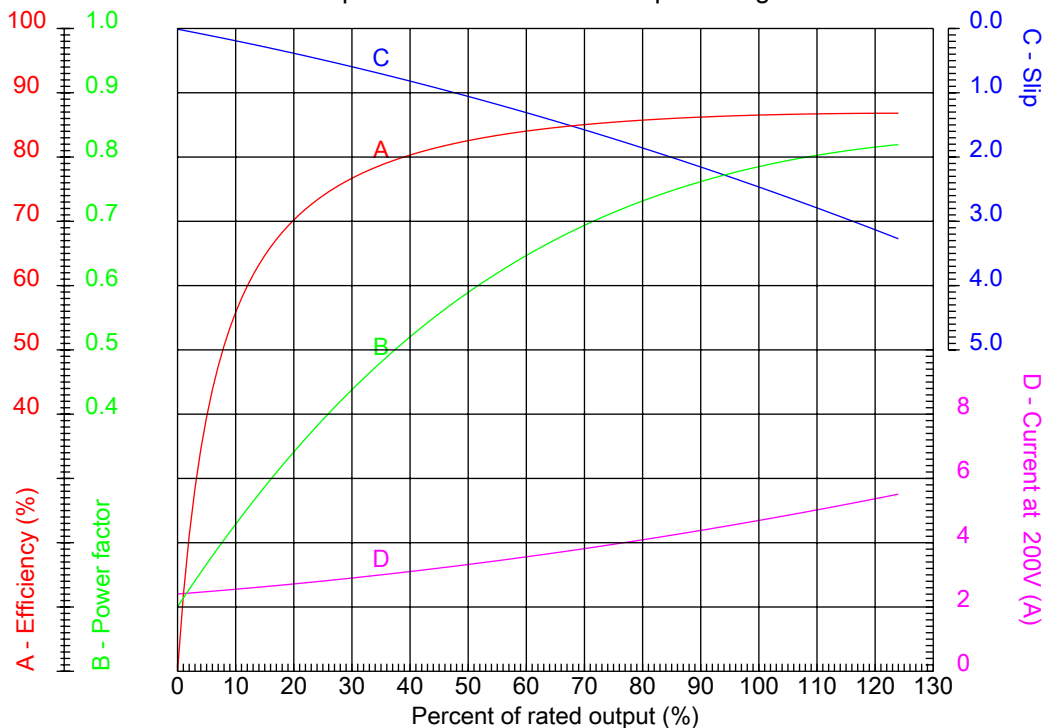
Dealers Industrial Equipment

No.:

Date: 12-SEP-2016

PERFORMANCE CURVES RELATED TO RATED OUTPUT

Three-phase induction motor - Squirrel cage rotor



Customer :
Product line : W22 Cooling Tower Motors: NEMA Premium - TEAO

Frame : 143/5T	Locked rotor current (I _L /I _n) : 8.4
Output : 1.5 HP	Duty cycle : S1
Frequency : 60 Hz	Service factor : 1.25
Full load speed : 1755 rpm	Design : B
Voltage : 200 V	Locked rotor torque : 250 %
Rated current : 4.65 A	Breakdown torque : 340 %
Insulation class : F	

Notes:
Downloaded from <http://dealerselectric.com>
Generated for Model #00158AT3PCT145T-W22

Performed by

Checked



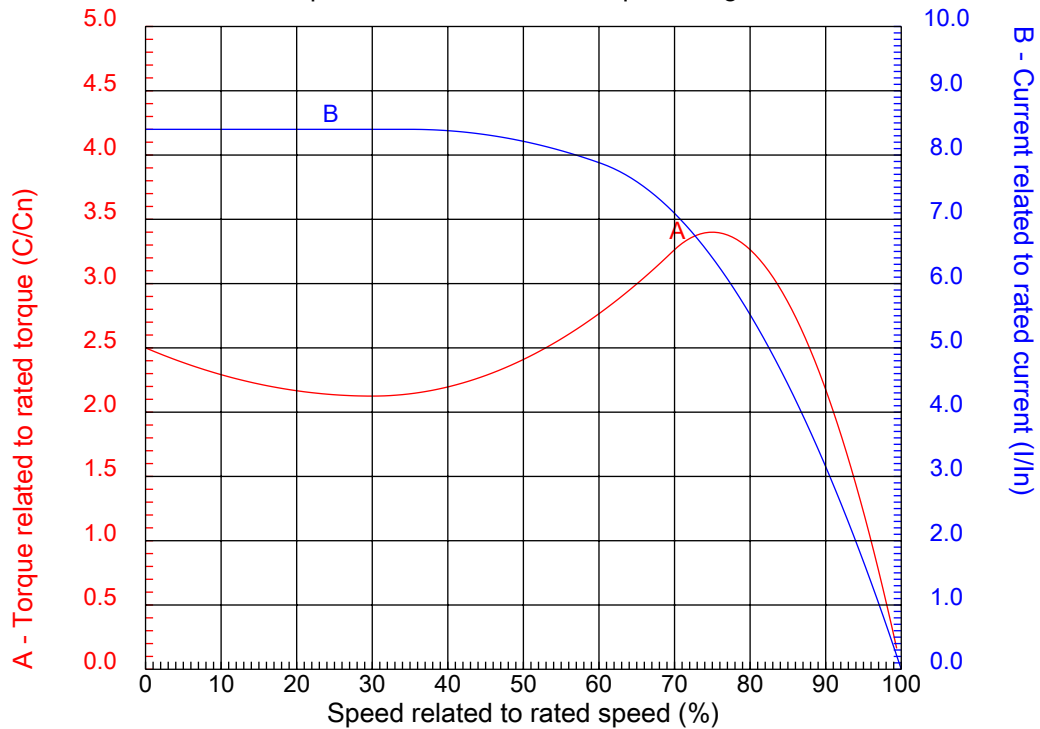
Dealers Industrial Equipment

No.:

Date: 12-SEP-2016

CHARACTERISTIC CURVES RELATED TO SPEED

Three-phase induction motor - Squirrel cage rotor



Customer :
Product line : W22 Cooling Tower Motors: NEMA Premium - TEAO

Frame	: 143/5T	Locked rotor current (I _L /I _n)	: 8.4
Output	: 1.5 HP	Duty cycle	: S1
Frequency	: 60 Hz	Service factor	: 1.25
Full load speed	: 1755 rpm	Design	: B
Voltage	: 200 V	Locked rotor torque	: 250 %
Rated current	: 4.65 A	Breakdown torque	: 340 %
Insulation class	: F		

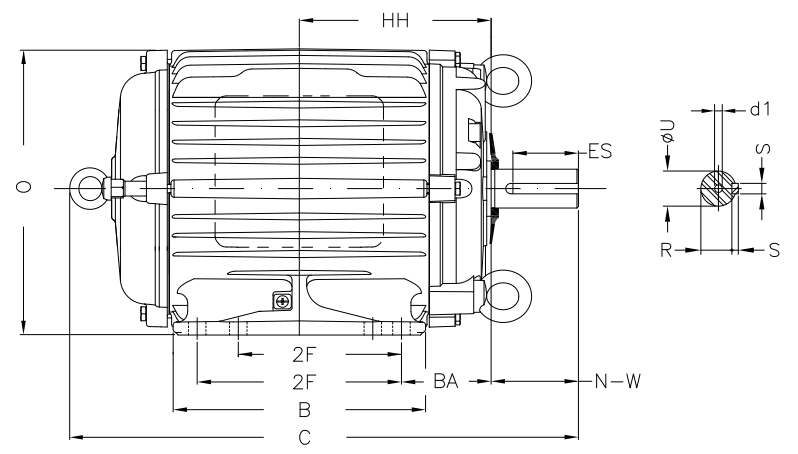
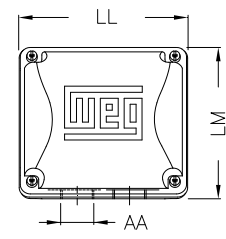
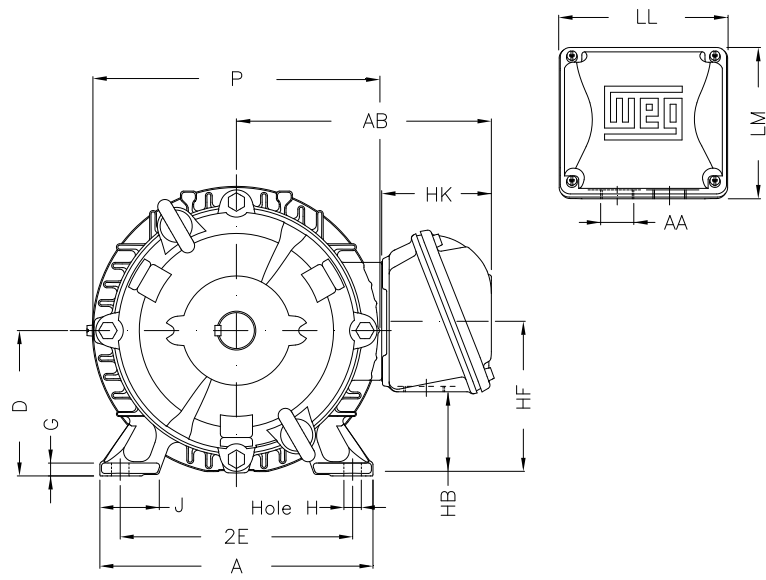
Notes:
Downloaded from <http://dealerselectric.com>
Generated for Model #00158AT3PCT145T-W22

Performed by

Checked

1 2 3 4 5 6 7 8

A
B
C
D
E
F



Notes: Downloaded from <http://dealerselectric.com>
Generated for Model #00158AT3PCT145T-W22

Performed by:

Checked:

Customer:

W22 Cooling Tower Motors: NEMA Premium - TEAO

2E 5.500	J 1.437	A 6.457	P 6.850	AB 6.260
2F 4.000/5.000	B 6.142	BA 2.250	U 0.875	N-W 2.250
ES 1.575	S 0.187	R 0.771	depth 0.187	D 3.500
G 0.354	HB 1.787	O 7.122	HF 3.500	HH 4.750
HK 2.638	H 0.344	C 13.338	LL 4.528	LM 4.094
AA NPT 3/4"	d1 A 4			

Three-phase induction motor
Frame 143/5T - IP55

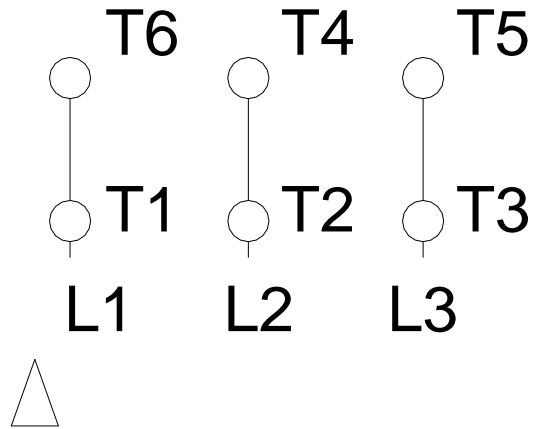
12-SEP-2016



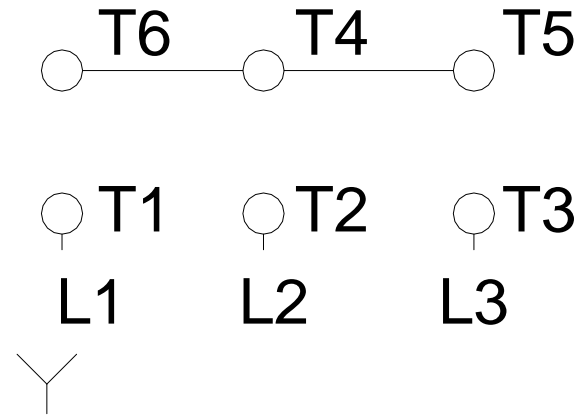
1 2 3 4 5 6 7 8

A
B
C
D
E
F

LOW VOLTAGE



HIGH VOLTAGE



Notes: Downloaded from http://dealerselectric.com Generated for Model #00158AT3PCT145T-W22		
Performed by:		
Checked:		
Customer:		
W22 Cooling Tower Motors: NEMA Premium - TEAO		
Three-phase induction motor Frame 143/5T - IP55	12-SEP-2016	