



Dealers Industrial Equipment

No.:

Date: 12-SEP-2016

Customer :

TECHNICAL PROPOSAL

Three-phase induction motor - Squirrel cage rotor

Product line : Three-Phase : Explosion Proof - NEMA Premium

Catalog Number : 00156XT3E143TC

List Price : \$1,069

Notes:

Downloaded from <http://dealerselectric.com>

Generated for Model #00156XT3E143TC

Performed by:

Checked:



Dealers Industrial Equipment

No.:

Date: 12-SEP-2016

DATA SHEET Three-phase induction motor - Squirrel cage rotor

Customer :
 Product line : Three-Phase : Explosion Proof - NEMA Premium

Frame : 143T
 Output : 1.5 HP
 Frequency : 60 Hz
 Poles : 2
 Full load speed : 3500 rpm
 Slip : 2.78 %
 Voltage : 208-230/460 V
 Rated current : 4.53-4.10/2.05 A
 Locked rotor current : 37.7/18.9 A
 Locked rotor current (I_L/I_n) : 9.2
 No-load current : 2.20/1.10 A
 Full load torque : 2.22 lb.ft
 Locked rotor torque : 300 %
 Breakdown torque : 400 %
 Design : B
 Insulation class : F
 Temperature rise : 80 K
 Locked rotor time : 20 s (hot)
 Service factor : 1.15
 Duty cycle : S1
 Ambient temperature : -20°C - +40°C
 Altitude : 1000 m
 Degree of Protection : IP55
 Approximate weight : 62 lb
 Moment of inertia : 0.04129 sq.ft.lb
 Noise level : 68 dB(A)

	D.E.	N.D.E.
Bearings	6205 2RS	6204 2RS
Regreasing interval	---	---
Grease amount	---	---

Load	Power factor	Efficiency (%)
100%	0.80	84.0
75%	0.73	82.5
50%	0.62	78.5

Notes:
 Downloaded from <http://dealerselectric.com>
 Generated for Model #00156XT3E143TC

Performed by

Checked



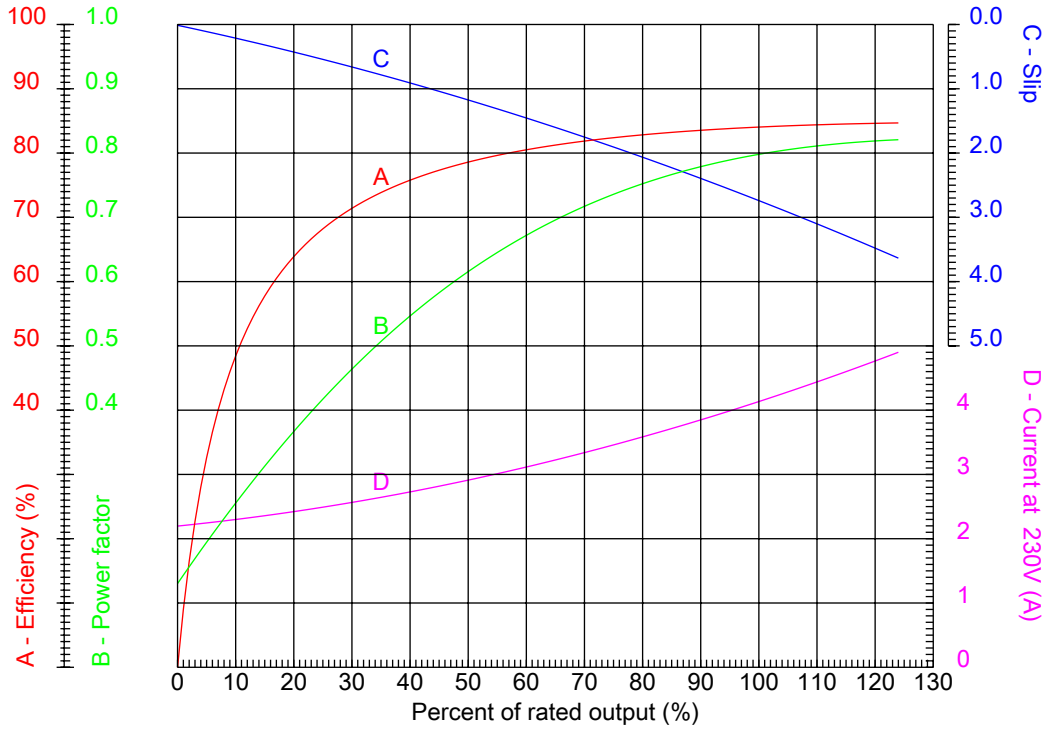
Dealers Industrial Equipment

No.:

Date: 12-SEP-2016

PERFORMANCE CURVES RELATED TO RATED OUTPUT

Three-phase induction motor - Squirrel cage rotor



Customer :
 Product line : Three-Phase : Explosion Proof - NEMA Premium

Frame	: 143T	Locked rotor current (I _L /I _n)	: 9.2
Output	: 1.5 HP	Duty cycle	: S1
Frequency	: 60 Hz	Service factor	: 1.15
Full load speed	: 3500 rpm	Design	: B
Voltage	: 208-230/460 V	Locked rotor torque	: 300 %
Rated current	: 4.53-4.10/2.05 A	Breakdown torque	: 400 %
Insulation class	: F		

Notes:
 Downloaded from <http://dealerselectric.com>
 Generated for Model #00156XT3E143TC

Performed by

Checked



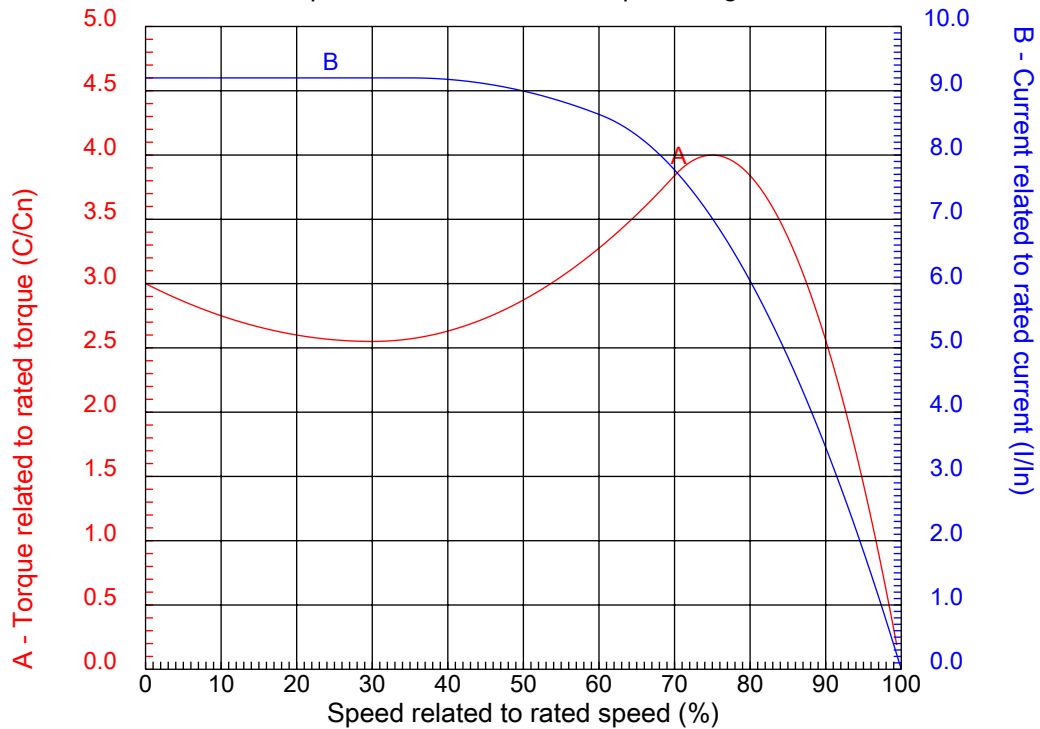
Dealers Industrial Equipment

No.:

Date: 12-SEP-2016

CHARACTERISTIC CURVES RELATED TO SPEED

Three-phase induction motor - Squirrel cage rotor



Customer :
Product line : Three-Phase : Explosion Proof - NEMA Premium

Frame	: 143T	Locked rotor current (I _l /I _n)	: 9.2
Output	: 1.5 HP	Duty cycle	: S1
Frequency	: 60 Hz	Service factor	: 1.15
Full load speed	: 3500 rpm	Design	: B
Voltage	: 208-230/460 V	Locked rotor torque	: 300 %
Rated current	: 4.53-4.10/2.05 A	Breakdown torque	: 400 %
Insulation class	: F		

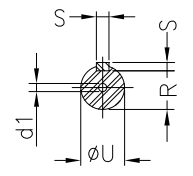
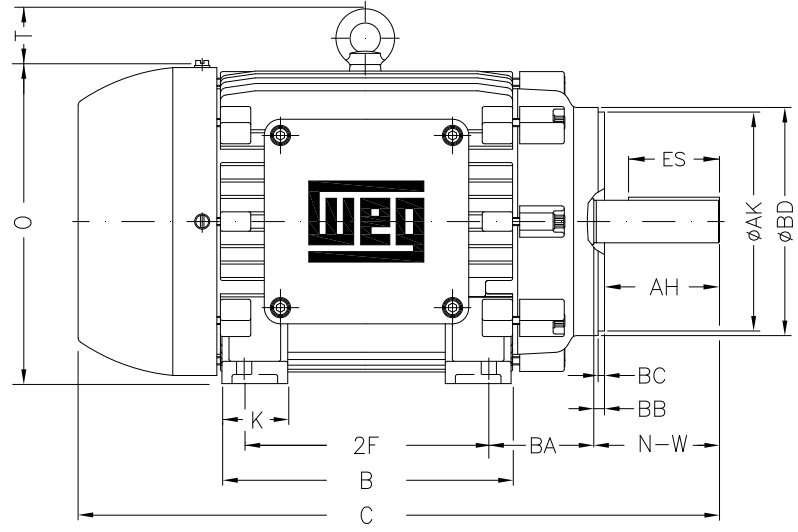
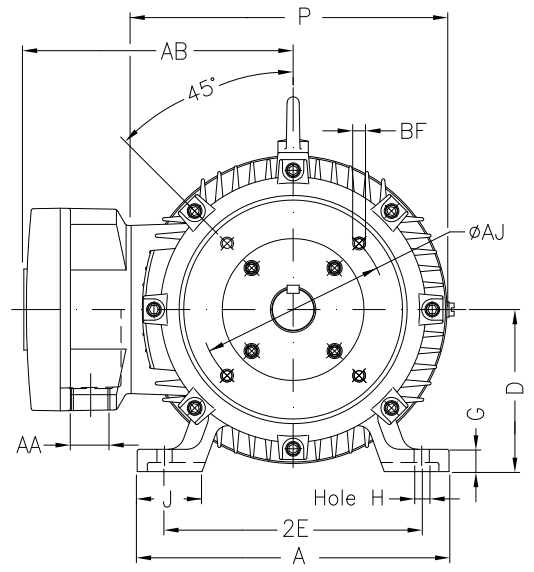
Notes:
Downloaded from <http://dealerselectric.com>
Generated for Model #00156XT3E143TC

Performed by

Checked

1 2 3 4 5 6 7 8

A
B
C
D
E
F



Notes: Downloaded from <http://dealerselectric.com>
Generated for Model #00156XT3E143TC

2E 5.500	A 6.457	2F 4.000	B 5.157	BA 2.250
J 1.496	K 1.654	P 7.000	ES 1.575	depth 0.187
S 0.187	N-W 2.250	U 0.875	R 0.771	AB 6.811
D 3.500	G 0.429	O 7.000	T 0.000	H 0.344
C 12.760	AA NPT 3/4"	d1 A 4	d2 A 4	Flange FC-149
AJ 5.875	AK 4.500	BD 6.500	BF UNC 3/8"x16	BB 0.156
BC 0.125	AH 2.125			

Performed by:

Checked:

Customer:

Three-Phase : Explosion Proof - NEMA Premium

Three-phase induction motor
Frame 143T - IP55

12-SEP-2016



1 2 3 4 5 6 7 8

A

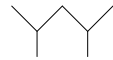
LOW VOLTAGE

HIGH VOLTAGE

B



C



D

E

F

Notes: Downloaded from <http://dealerselectric.com>
 Generated for Model #00156XT3E143TC

Performed by:

Checked:

Customer:

Three-Phase : Explosion Proof - NEMA Premium

Three-phase induction motor
 Frame 143T - IP55

12-SEP-2016

