



Dealers Industrial Equipment

No.:

Date: 12-SEP-2016

Customer :

TECHNICAL PROPOSAL

Three-phase induction motor - Squirrel cage rotor

Product line : Three-Phase: W22 IEEE-841™ Petrochem Motors - NEMA Premium® Efficiency

Catalog Number : 00156ST3QIE143TC-W22

List Price : \$1,031

Notes:

Downloaded from <http://dealerselectric.com>

Generated for Model #00156ST3QIE143TC-W22

Performed by:

Checked:



Dealers Industrial Equipment

No.:

Date: 12-SEP-2016

DATA SHEET Three-phase induction motor - Squirrel cage rotor

Customer :
 Product line : Three-Phase: W22 IEEE-841™ Petrochem Motors - NEMA Premium® Efficiency

Frame : 143/5T
 Output : 1.5 HP
 Frequency : 60 Hz
 Poles : 2
 Full load speed : 3490 rpm
 Slip : 3.06 %
 Voltage : 460 V
 Rated current : 1.96 A
 Locked rotor current : 17.4 A
 Locked rotor current (I_L/I_n) : 8.9
 No-load current : 0.750 A
 Full load torque : 2.23 lb.ft
 Locked rotor torque : 350 %
 Breakdown torque : 380 %
 Design : B
 Insulation class : F
 Temperature rise : 80 K
 Locked rotor time : 21 s (hot)
 Service factor : 1.25
 Duty cycle : S1
 Ambient temperature : -20°C - +40°C
 Altitude : 1000 m
 Degree of Protection : IP55
 Approximate weight : 41 lb
 Moment of inertia : 0.04699 sq.ft.lb
 Noise level : 68 dB(A)

	D.E.	N.D.E.
Bearings	6205 C3	6204 C3
Regreasing interval	20000 h	20000 h
Grease amount	4 g	4 g

Load	Power factor	Efficiency (%)
100%	0.84	84.0
75%	0.80	84.0
50%	0.70	81.5

Notes:
 Downloaded from <http://dealerselectric.com>
 Generated for Model #00156ST3QIE143TC-W22

Performed by

Checked



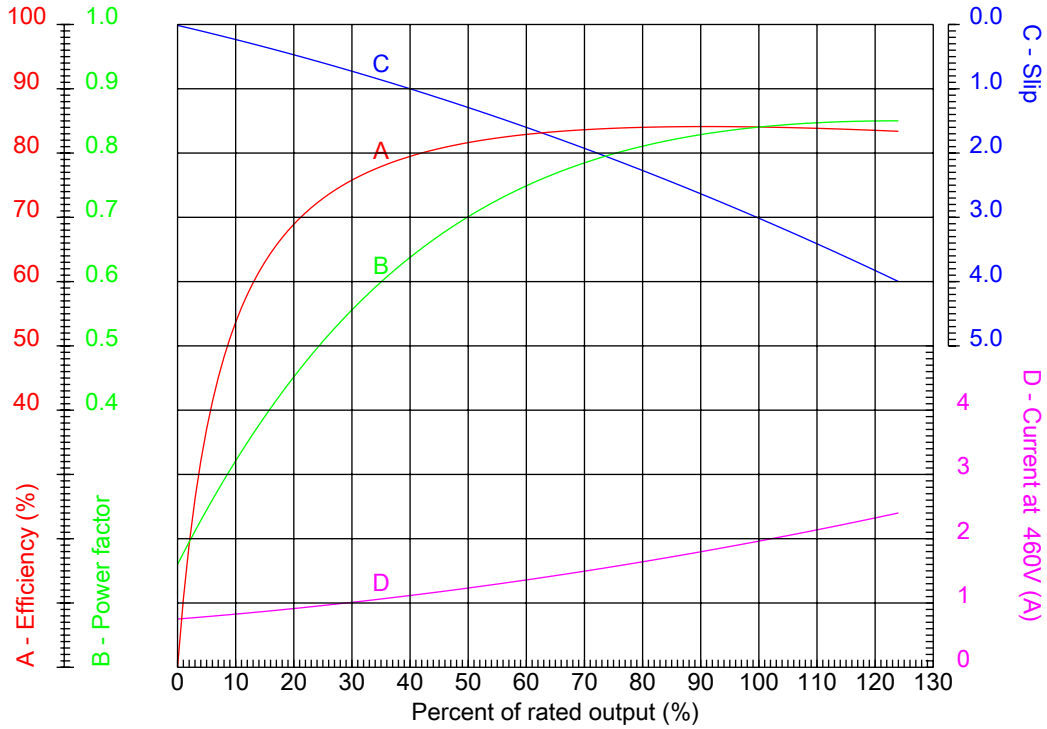
Dealers Industrial Equipment

No.:

Date: 12-SEP-2016

PERFORMANCE CURVES RELATED TO RATED OUTPUT

Three-phase induction motor - Squirrel cage rotor



Customer :
 Product line : Three-Phase: W22 IEEE-841™ Petrochem Motors - NEMA Premium® Efficiency

Frame	: 143/5T	Locked rotor current (I _l /I _n)	: 8.9
Output	: 1.5 HP	Duty cycle	: S1
Frequency	: 60 Hz	Service factor	: 1.25
Full load speed	: 3490 rpm	Design	: B
Voltage	: 460 V	Locked rotor torque	: 350 %
Rated current	: 1.96 A	Breakdown torque	: 380 %
Insulation class	: F		

Notes:
 Downloaded from <http://dealerselectric.com>
 Generated for Model #00156ST3QIE143TC-W22

Performed by

Checked



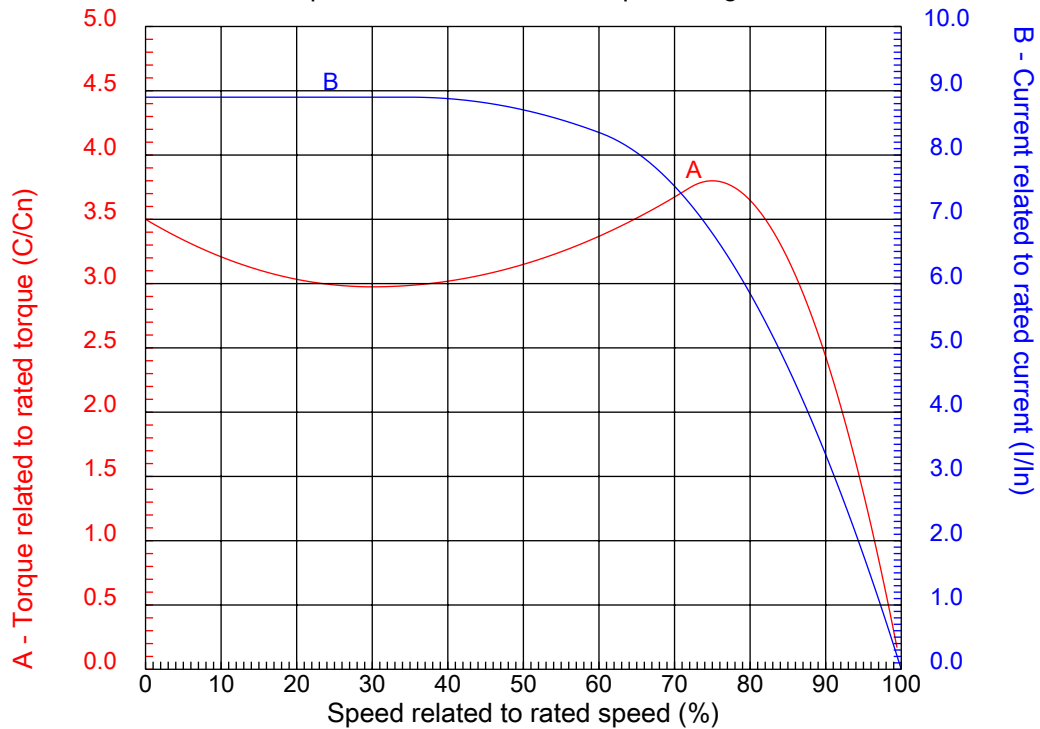
Dealers Industrial Equipment

No.:

Date: 12-SEP-2016

CHARACTERISTIC CURVES RELATED TO SPEED

Three-phase induction motor - Squirrel cage rotor



Customer :
Product line : Three-Phase: W22 IEEE-841™ Petrochem Motors - NEMA Premium® Efficiency

Frame	: 143/5T	Locked rotor current (I _l /I _n)	: 8.9
Output	: 1.5 HP	Duty cycle	: S1
Frequency	: 60 Hz	Service factor	: 1.25
Full load speed	: 3490 rpm	Design	: B
Voltage	: 460 V	Locked rotor torque	: 350 %
Rated current	: 1.96 A	Breakdown torque	: 380 %
Insulation class	: F		

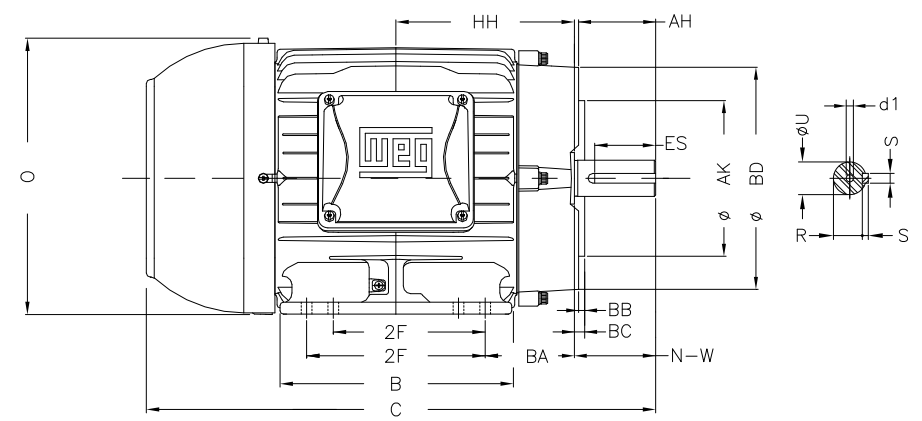
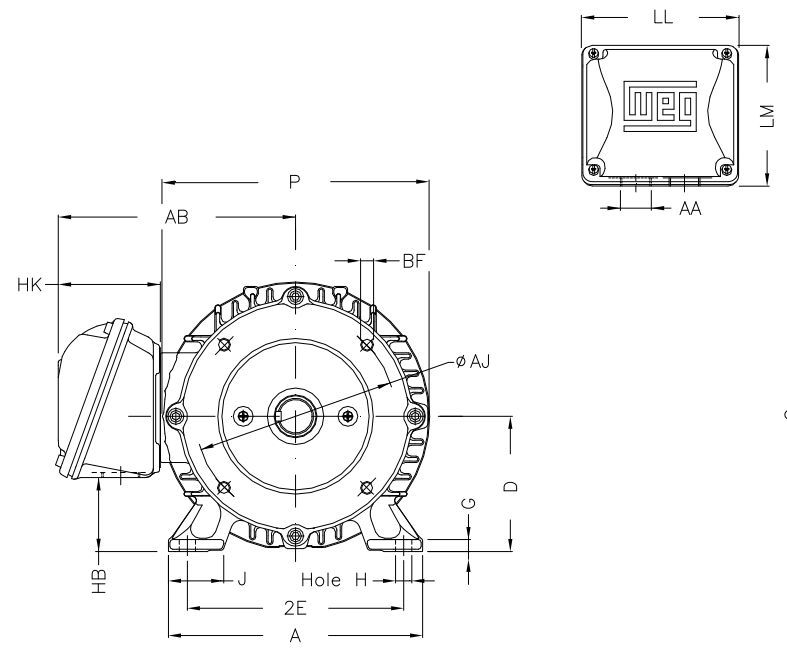
Notes:
Downloaded from <http://dealerselectric.com>
Generated for Model #00156ST3QIE143TC-W22

Performed by

Checked

1 2 3 4 5 6 7 8

A
B
C
D
E
F



2E	J	A	P	AB
5.500	1.437	6.457	7.047	6.260
2F	B	BA	U	N-W
4.000/5.000	6.142	2.250	0.875	2.250
ES	S	R	depth	D
1.417	0.187	0.771	0.187	3.500
G	HB	O	HF	HH
0.354	1.787	7.122	3.500	4.750
HK	H	C	LL	LM
2.638	0.344	13.346	4.528	4.094
AA	d1	d2	Flange	AJ
NPT 3/4"	A 4	A 4	FC-149	5.875
AK	BD	BF	BB	BC
4.500	6.500	UNC 3/8"x16	0.156	0.125
AH				
2.125				

Notes: Downloaded from <http://dealerselectric.com>
 Generated for Model #00156ST3QIE143TC-W22

Performed by:


Checked:

Customer:

Three-Phase: W22 IEEE-841™ Petrochem Motors - NEMA Premium® Efficiency

Three-phase induction motor
 Frame 143/5T - IP55

12-SEP-2016



1 2 3 4 5 6 7 8

A

B

C

D

E

F



Notes: Downloaded from <http://dealerselectric.com>
Generated for Model #00156ST3QIE143TC-W22

Performed by:

Checked:

Customer:

Three-Phase: W22 IEEE-841™ Petrochem Motors - NEMA Premium® Efficiency

Three-phase induction motor
Frame 143/5T - IP55

12-SEP-2016

