



Dealers Industrial Equipment

No.:

Date: 12-SEP-2016

Customer :

TECHNICAL PROPOSAL

Three-phase induction motor - Squirrel cage rotor

Product line : Close Coupled Pump : Three-Phase - "JM" Type - ODP - NEMA Premium

Catalog Number : 00156OT3E143JM

List Price : \$534

Notes:

Downloaded from <http://dealerselectric.com>

Generated for Model #00156OT3E143JM

Performed by:

Checked:



# Dealers Industrial Equipment

No.:

Date: 12-SEP-2016

## DATA SHEET Three-phase induction motor - Squirrel cage rotor

Customer :  
 Product line : Close Coupled Pump : Three-Phase - "JM" Type - ODP - NEMA Premium

Frame : E143/5JM  
 Output : 1.5 HP  
 Frequency : 60 Hz  
 Poles : 2  
 Full load speed : 3430 rpm  
 Slip : 4.72 %  
 Voltage : 208-230/460 V  
 Rated current : 4.10-3.72/1.86 A  
 Locked rotor current : 33.5/16.7 A  
 Locked rotor current (I<sub>L</sub>/I<sub>n</sub>) : 9.0  
 No-load current : 1.56/0.780 A  
 Full load torque : 2.27 lb.ft  
 Locked rotor torque : 400 %  
 Breakdown torque : 350 %  
 Design : B  
 Insulation class : F  
 Temperature rise : 80 K  
 Locked rotor time : 15 s (hot)  
 Service factor : 1.15 (1.00 at 208V)  
 Duty cycle : S1  
 Ambient temperature : -20°C - +40°C  
 Altitude : 1000 m  
 Degree of Protection : IP21  
 Approximate weight : 40 lb  
 Moment of inertia : 0.05126 sq.ft.lb  
 Noise level : ---

|                     | D.E.    | N.D.E.  |
|---------------------|---------|---------|
| Bearings            | 6206 ZZ | 6204 ZZ |
| Regreasing interval | ---     | ---     |
| Grease amount       | ---     | ---     |

| Load | Power factor | Efficiency (%) |
|------|--------------|----------------|
| 100% | 0.87         | 85.5           |
| 75%  | 0.80         | 85.5           |
| 50%  | 0.70         | 82.5           |

Notes:  
 Downloaded from <http://dealerselectric.com>  
 Generated for Model #00156OT3E143JM

Performed by

Checked



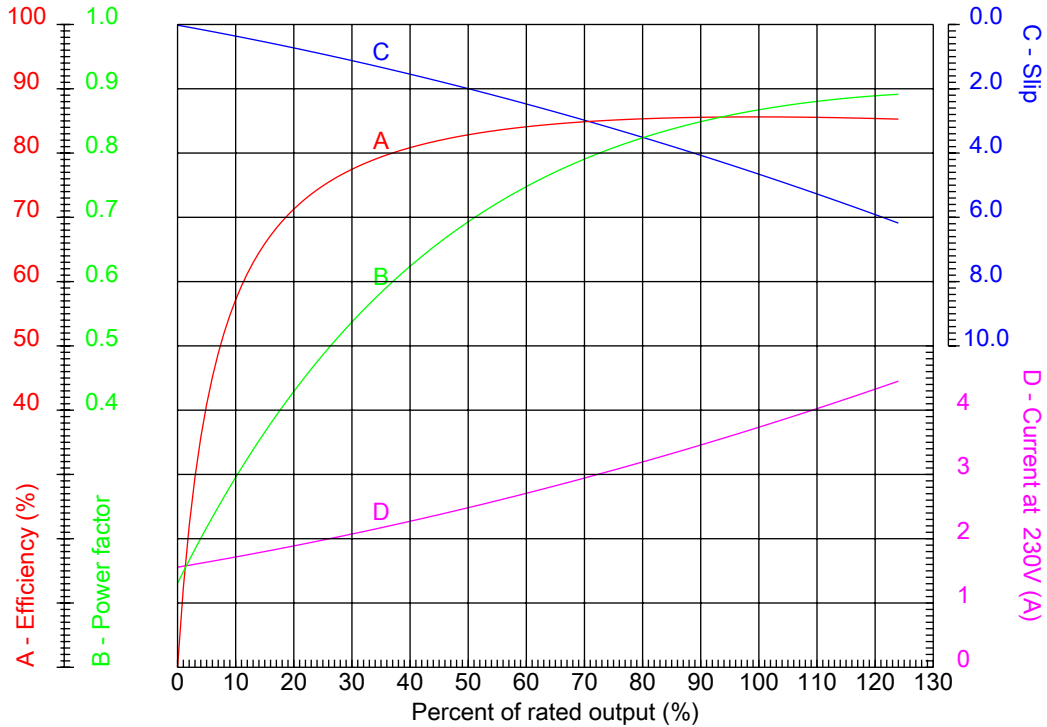
# Dealers Industrial Equipment

No.:

Date: 12-SEP-2016

## PERFORMANCE CURVES RELATED TO RATED OUTPUT

Three-phase induction motor - Squirrel cage rotor



Customer :  
 Product line : Close Coupled Pump : Three-Phase - "JM" Type - ODP - NEMA Premium

|                  |                    |  |                       |
|------------------|--------------------|--|-----------------------|
| Frame            | : E143/5JM         | Locked rotor current (I <sub>l</sub> /I <sub>n</sub> ) | : 9.0                 |
| Output           | : 1.5 HP           | Duty cycle   | : S1                  |
| Frequency        | : 60 Hz            | Service factor   | : 1.15 (1.00 at 208V) |
| Full load speed  | : 3430 rpm         | Design   | : B                   |
| Voltage          | : 208-230/460 V    | Locked rotor torque                                    | : 400 %               |
| Rated current    | : 4.10-3.72/1.86 A | Breakdown torque                                       | : 350 %               |
| Insulation class | : F                |  |                       |

Notes:  
 Downloaded from <http://dealerselectric.com>  
 Generated for Model #00156OT3E143JM

Performed by

Checked



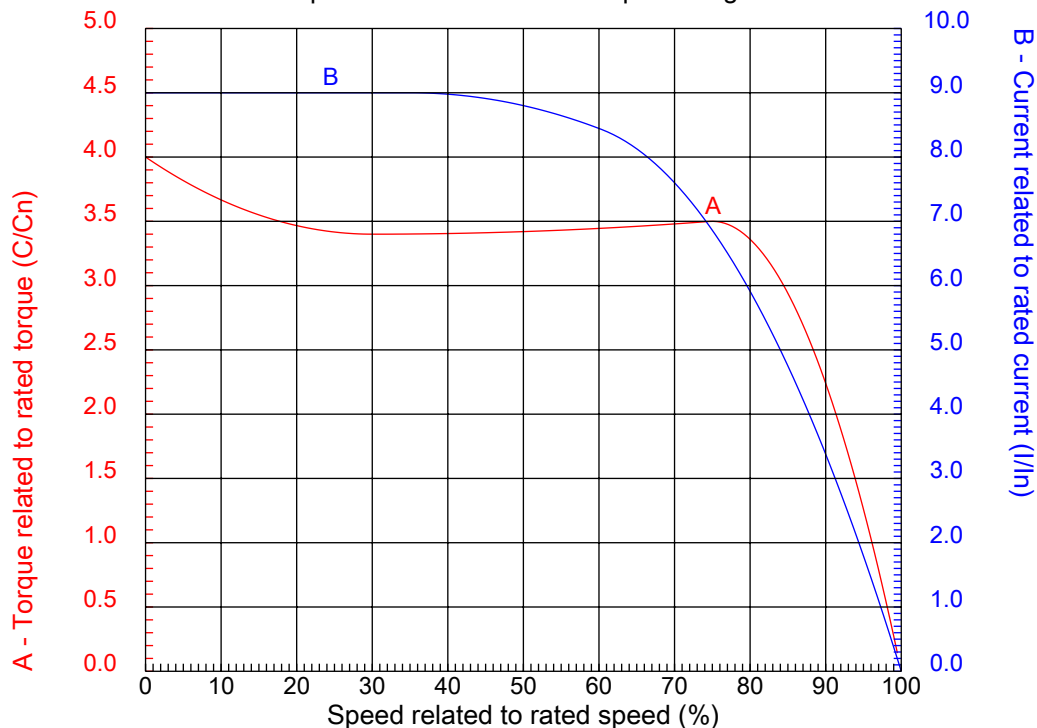
# Dealers Industrial Equipment

No.:

Date: 12-SEP-2016

## CHARACTERISTIC CURVES RELATED TO SPEED

Three-phase induction motor - Squirrel cage rotor



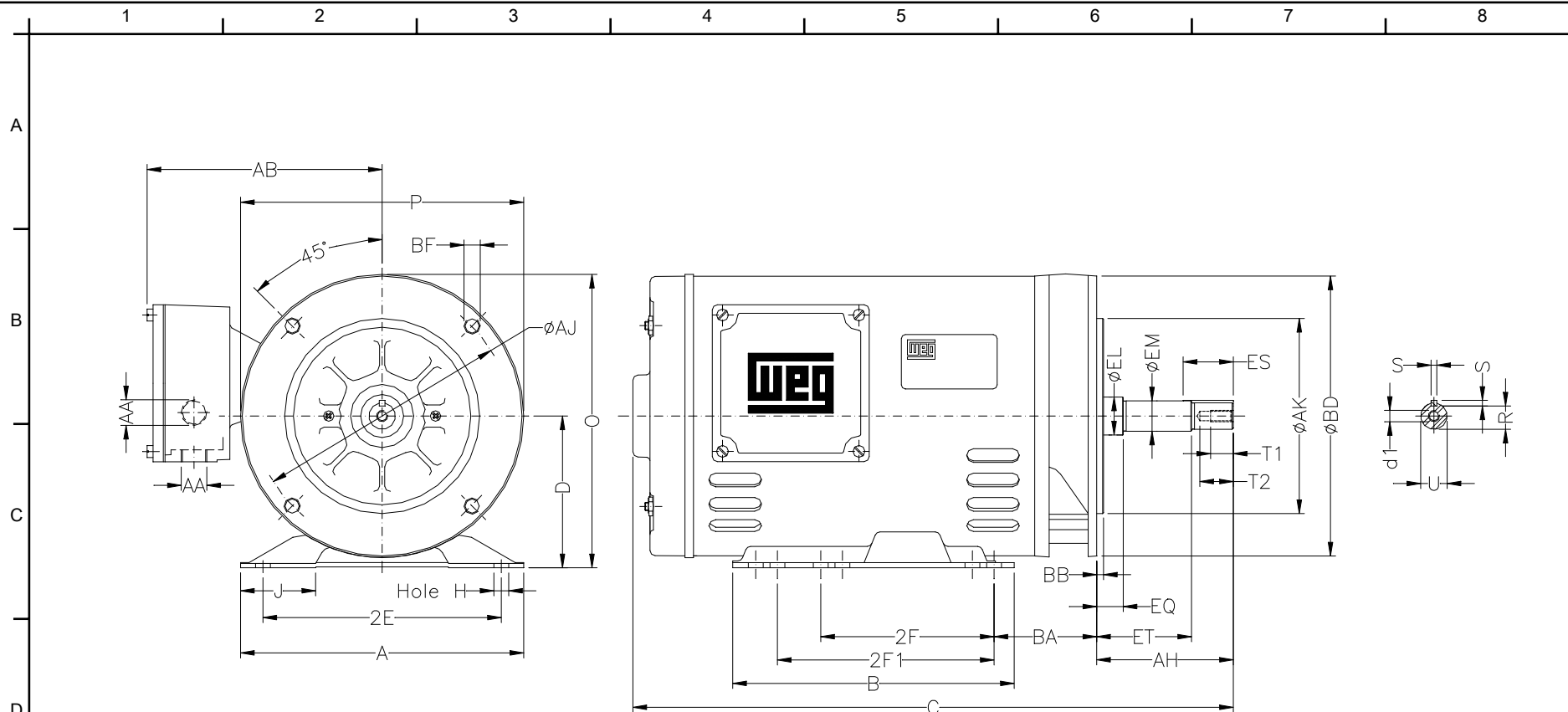
Customer :  
Product line : Close Coupled Pump : Three-Phase - "JM" Type - ODP - NEMA Premium

|                  |                    |  |                       |
|------------------|--------------------|--|-----------------------|
| Frame            | : E143/5JM         | Locked rotor current (I <sub>l</sub> /I <sub>n</sub> ) | : 9.0                 |
| Output           | : 1.5 HP           | Duty cycle   | : S1                  |
| Frequency        | : 60 Hz            | Service factor   | : 1.15 (1.00 at 208V) |
| Full load speed  | : 3430 rpm         | Design   | : B                   |
| Voltage          | : 208-230/460 V    | Locked rotor torque                                    | : 400 %               |
| Rated current    | : 4.10-3.72/1.86 A | Breakdown torque                                       | : 350 %               |
| Insulation class | : F                |  |                       |

Notes:  
Downloaded from <http://dealerselectric.com>  
Generated for Model #00156OT3E143JM

Performed by

Checked



Notes: Downloaded from <http://dealerselectric.com>  
 Generated for Model #00156OT3E143JM

|                    |                  |                  |             |             |
|--------------------|------------------|------------------|-------------|-------------|
| 2E<br>5.500        | A<br>6.535       | 2F<br>0.157      | B<br>0.256  | J<br>1.732  |
| BA<br>2.250        | D<br>3.500       | G<br>0.120       | O<br>6.772  | P<br>6.535  |
| AB<br>5.433        | H<br>0.342       | AA<br>2xNPT 1/2" | EQ<br>0.630 | ET<br>2.880 |
| U<br>0.8744        | EM<br>1.000      | EL<br>1.156      | S<br>0.187  | R<br>0.768  |
| d1<br>DUNC 3/8"-16 | ES<br>1.653      | t1<br>0.748      | t2<br>1.102 | C<br>14.055 |
| CH<br>1.063        | Flange<br>FC-149 | AJ<br>5.874      | AK<br>4.500 | BD<br>6.535 |
| BF<br>UNC 3/8"x16  | BB<br>0.157      | AH<br>4.258      |             |             |

Performed by:


Checked:

Customer:

Close Coupled Pump : Three-Phase - "JM" Type - ODP - NEMA Premium

Three-phase induction motor  
 Frame E143/5JM - IP21

12-SEP-2016

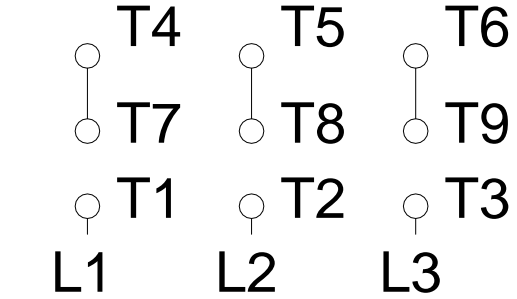
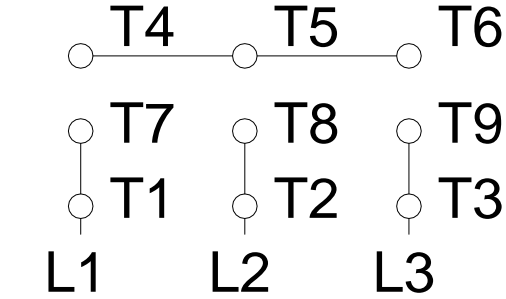


1 2 3 4 5 6 7 8

A  
B  
C  
D  
E  
F

### LOW VOLTAGE

### HIGH VOLTAGE



|   |             |  |
|---|-------------|--|
| Notes: Downloaded from <a href="http://dealerselectric.com">http://dealerselectric.com</a><br>Generated for Model #00156OT3E143JM |             |  |
| Performed by:   |             |  |
| Checked:  |             |  |
| Customer:   |             |  |
| Close Coupled Pump : Three-Phase - "JM" Type - ODP - NEMA Premium   |             |  |
| Three-phase induction motor<br>Frame E143/5JM - IP21  | 12-SEP-2016 |  |