



# Dealers Industrial Equipment

No.:

Date: 12-SEP-2016

Customer :

## TECHNICAL PROPOSAL

### Three-phase induction motor - Squirrel cage rotor

Product line : Jet Pump - NEMA 56 : Three-Phase - Keyed - ODP (IP21)

Catalog Number : 00156OS3EJPR56C

List Price : \$290

#### Notes:

Downloaded from <http://dealerselectric.com>

Generated for Model #00156OS3EJPR56C

Performed by:

Checked:



Dealers Industrial Equipment

No.:

Date: 12-SEP-2016

### DATA SHEET Three-phase induction motor - Squirrel cage rotor

Customer :  
Product line : Jet Pump - NEMA 56 : Three-Phase - Keyed - ODP (IP21)

Frame : D56  
Output : 1.5 HP  
Frequency : 60 Hz  
Poles : 2  
Full load speed : 3400 rpm  
Slip : 5.56 %  
Voltage : 208-230/460 V  
Rated current : 4.50-4.26/2.13 A  
Locked rotor current : 25.5/12.8 A  
Locked rotor current (I<sub>L</sub>/I<sub>n</sub>) : 6.0  
No-load current : 2.10/1.05 A  
Full load torque : 2.29 lb.ft  
Locked rotor torque : 220 %  
Breakdown torque : 230 %  
Design : A  
Insulation class : B  
Temperature rise : 80 K  
Locked rotor time : 10 s (hot)  
Service factor : 1.30 (1.00 at 208V)  
Duty cycle : S1  
Ambient temperature : -20°C - +40°C  
Altitude : 1000 m  
Degree of Protection : IP21  
Approximate weight : 32 lb  
Moment of inertia : 0.03037 sq.ft.lb  
Noise level : ---

	D.E.	N.D.E.
Bearings	6204 2RS	6202 2RS
Regreasing interval	---	---
Grease amount	---	---

Load	Power factor	Efficiency (%)
100%	0.87	76.0
75%	0.81	76.0
50%	0.69	74.0

Notes:  
Downloaded from <http://dealerselectric.com>  
Generated for Model #00156OS3EJPR56C

Performed by

Checked



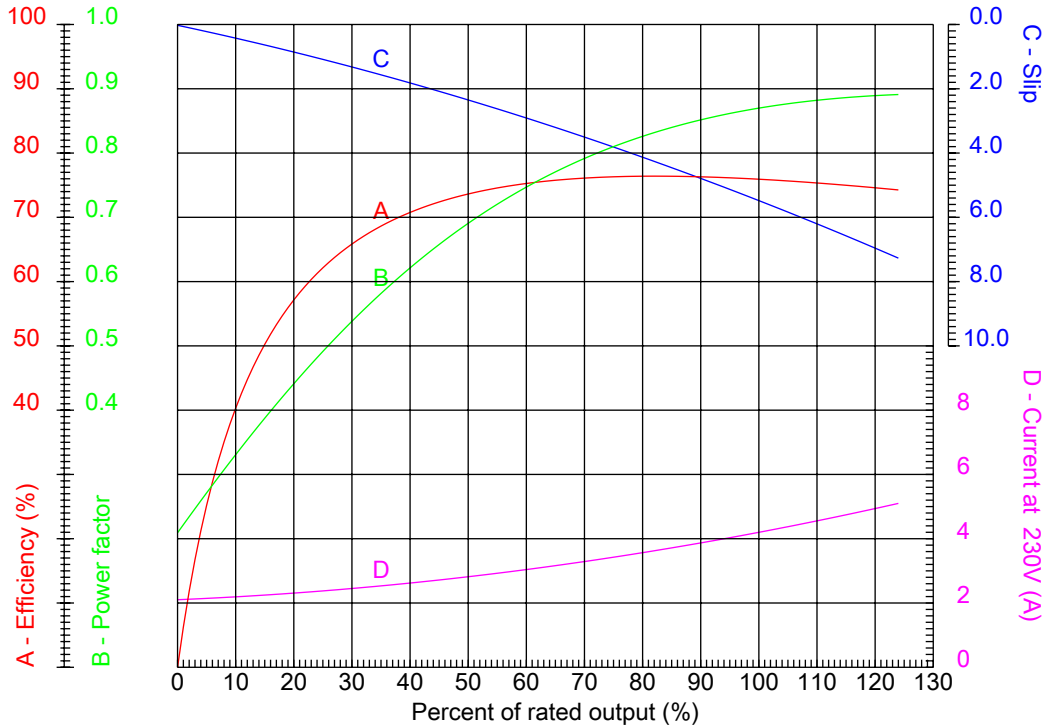
# Dealers Industrial Equipment

No.:

Date: 12-SEP-2016

## PERFORMANCE CURVES RELATED TO RATED OUTPUT

Three-phase induction motor - Squirrel cage rotor



Customer :  
 Product line : Jet Pump - NEMA 56 : Three-Phase - Keyed - ODP (IP21)

Frame : D56	Locked rotor current (I <sub>L</sub> /I <sub>n</sub> ) : 6.0
Output : 1.5 HP	Duty cycle : S1
Frequency : 60 Hz	Service factor : 1.30 (1.00 at 208V)
Full load speed : 3400 rpm	Design : A
Voltage : 208-230/460 V	Locked rotor torque : 220 %
Rated current : 4.50-4.26/2.13 A	Breakdown torque : 230 %
Insulation class : B	

Notes:  
 Downloaded from <http://dealerselectric.com>  
 Generated for Model #00156OS3EJPR56C

Performed by

Checked



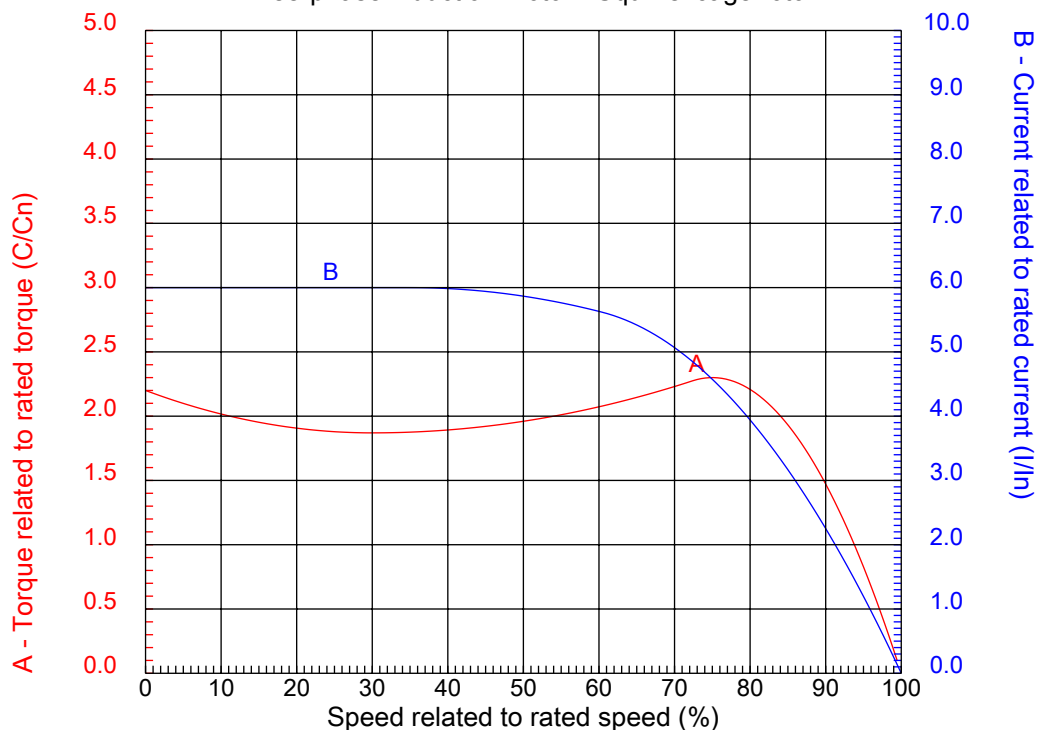
# Dealers Industrial Equipment

No.:

Date: 12-SEP-2016

## CHARACTERISTIC CURVES RELATED TO SPEED

Three-phase induction motor - Squirrel cage rotor



Customer :  
Product line : Jet Pump - NEMA 56 : Three-Phase - Keyed - ODP (IP21)

Frame	: D56	Locked rotor current (I <sub>l</sub> /I <sub>n</sub> )	: 6.0
Output	: 1.5 HP	Duty cycle	: S1
Frequency	: 60 Hz	Service factor	: 1.30 (1.00 at 208V)
Full load speed	: 3400 rpm	Design	: A
Voltage	: 208-230/460 V	Locked rotor torque	: 220 %
Rated current	: 4.50-4.26/2.13 A	Breakdown torque	: 230 %
Insulation class	: B		

Notes:  
Downloaded from <http://dealerselectric.com>  
Generated for Model #00156OS3EJPR56C

Performed by

Checked

1 2 3 4 5 6 7 8

A

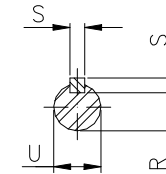
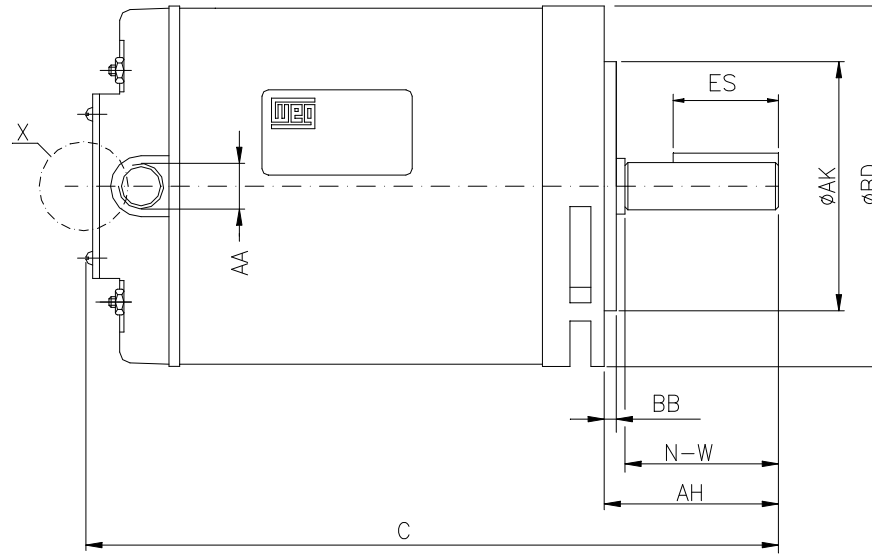
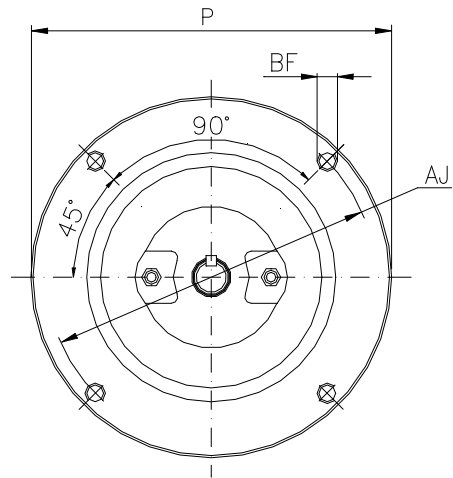
B

C

D

E

F



Notes: Downloaded from <http://dealerselectric.com>  
Generated for Model #00156OS3EJPR56C

Performed by:

Checked:

Customer:

Jet Pump - NEMA 56 : Three-Phase - Keyed - ODP (IP21)

C	P	ES	S	N-W
12.283	6.496	1.417	0.187	1.874
U	R	AA	Flange	AJ
0.625	0.517	NPT 1/2"	FC-149	5.874
AK	BD	BF	BB	AH
4.500	6.535	114.3	0.157	2.063

Three-phase induction motor  
Frame D56 - IP21

12-SEP-2016



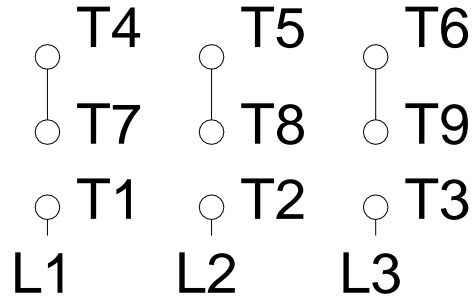
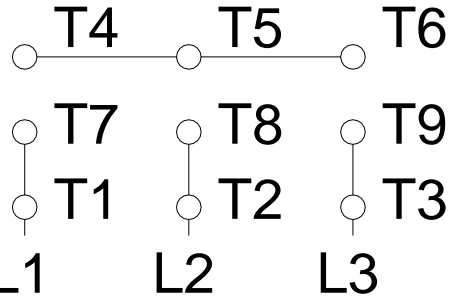
1 2 3 4 5 6 7 8

A

### LOW VOLTAGE

### HIGH VOLTAGE

B



C



D

E

F

Notes: Downloaded from <http://dealerselectric.com>  
 Generated for Model #00156OS3EJPR56C

Performed by:

Checked:

Customer:

Jet Pump - NEMA 56 : Three-Phase - Keyed - ODP (IP21)

Three-phase induction motor  
 Frame D56 - IP21

12-SEP-2016

