



Dealers Industrial Equipment

No.:

Date: 12-SEP-2016

Customer :

TECHNICAL PROPOSAL

## Single-phase induction motor - Squirrel cage rotor

Product line : Jet Pump - NEMA 56 : Single-Phase - Threaded - ODP (IP21)

Catalog Number : -

List Price : \$-

Notes:

Downloaded from <http://dealerselectric.com>

Generated for Model #00156OS1BJPR56J

Performed by:

Checked:



# Dealers Industrial Equipment

No.:

Date: 12-SEP-2016

## DATA SHEET Single-phase induction motor - Squirrel cage rotor

Customer :  
Product line : Jet Pump - NEMA 56 : Single-Phase - Threaded - ODP (IP21)

Frame : E56  
Output : 1.5 HP  
Frequency : 60 Hz  
Poles : 2  
Full load speed : 3480 rpm  
Slip : 3.33 %  
Voltage : 115/208-230 V  
Rated current : 16.4/8.50-8.20 A  
Locked rotor current : 113/56.6 A  
Locked rotor current (I<sub>L</sub>/I<sub>n</sub>) : 6.9  
No-load current : 9.40/4.70 A  
Full load torque : 2.23 lb.ft  
Locked rotor torque : 300 %  
Breakdown torque : 240 %  
Design : ---  
Insulation class : B  
Temperature rise : 80 K  
Locked rotor time : 6 s (hot)  
Service factor : 1.30 (1.00 at 208V)  
Duty cycle : S1  
Ambient temperature : -20°C - +40°C  
Altitude : 1000 m  
Degree of Protection : IP21  
Approximate weight : 36 lb  
Moment of inertia : 0.04153 sq.ft.lb  
Noise level : ---

	D.E.	N.D.E.
Bearings	6203 2RS	6203 2RS
Regreasing interval	---	---
Grease amount	---	---

Load	Power factor	Efficiency (%)
100%	0.80	73.2
75%	0.72	72.6
50%	0.62	67.4

Notes:  
Downloaded from <http://dealerselectric.com>  
Generated for Model #00156OS1BJPR56J

Performed by

Checked



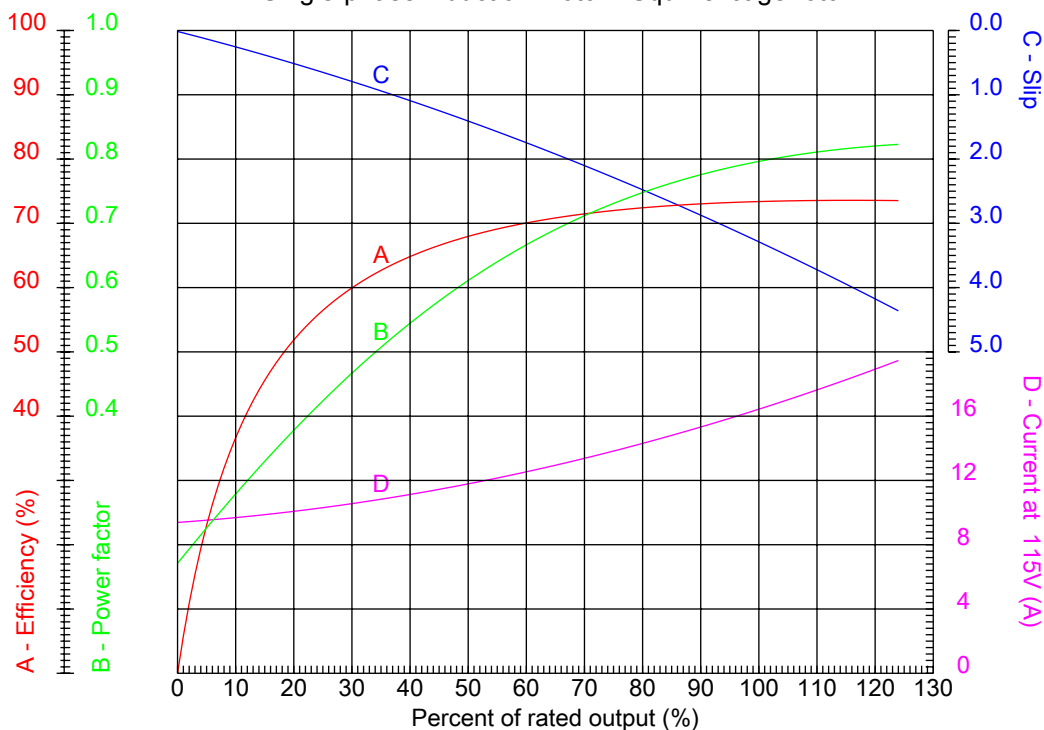
# Dealers Industrial Equipment

No.:

Date: 12-SEP-2016

## PERFORMANCE CURVES RELATED TO RATED OUTPUT

Single-phase induction motor - Squirrel cage rotor



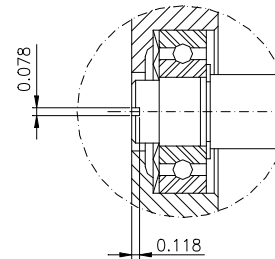
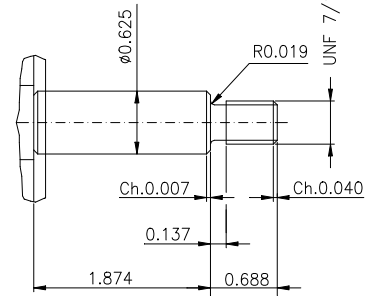
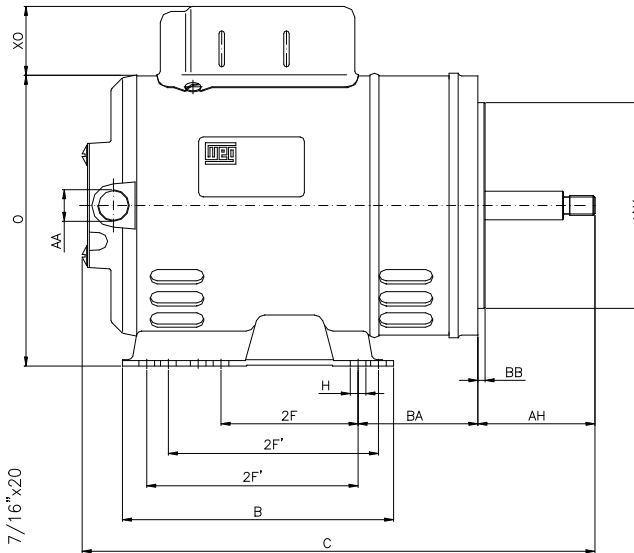
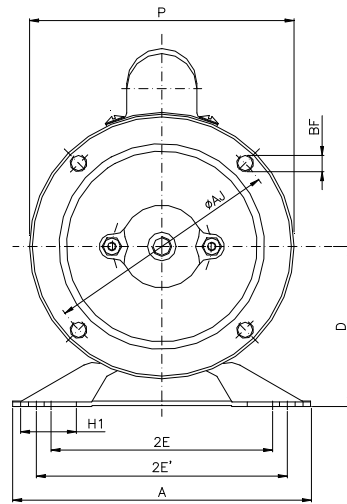
Customer :  
 Product line : Jet Pump - NEMA 56 : Single-Phase - Threaded - ODP (IP21)

Frame	: E56	Locked rotor current (I <sub>L</sub> /I <sub>n</sub> )	: 6.9
Output	: 1.5 HP	Duty cycle	: S1
Frequency	: 60 Hz	Service factor	: 1.30 (1.00 at 208V)
Full load speed	: 3480 rpm	Design	: ---
Voltage	: 115/208-230 V	Locked rotor torque	: 300 %
Rated current	: 16.4/8.50-8.20 A	Breakdown torque	: 240 %
Insulation class	: B		

Notes:  
 Downloaded from <http://dealerselectric.com>  
 Generated for Model #00156OS1BJPR56J

Performed by

Checked



DETAIL X

Notes: Downloaded from <http://dealerselectric.com>  
Generated for Model #00156OS1BJPR56J

Performed by:

Checked:

Customer:

Jet Pump - NEMA 56 : Single-Phase - Threaded - ODP (IP21)

P 6.535	C 13.110	N-W 1.874	U 0.625	AA NPT 1/2"
d1 D UNF 1/4"-28				

Single-phase induction motor  
Frame E56 - IP21

12-SEP-2016

