



# Dealers Industrial Equipment

No.:

Date: 12-SEP-2016

Customer :

## TECHNICAL PROPOSAL

### Three-phase induction motor - Squirrel cage rotor

Product line : W22 NEMA Premium - Ball Bearings

Catalog Number : 00156ET3H143TC-W22

List Price : \$571

#### Notes:

Downloaded from <http://dealerselectric.com>

Generated for Model #00156ET3H143TC-W22

Performed by:

Checked:



# Dealers Industrial Equipment

No.:

Date: 12-SEP-2016

## DATA SHEET Three-phase induction motor - Squirrel cage rotor

Customer :  
 Product line : W22 NEMA Premium - Ball Bearings

Frame : 143/5T  
 Output : 1.5 HP  
 Frequency : 60 Hz  
 Poles : 2  
 Full load speed : 3490 rpm  
 Slip : 3.06 %  
 Voltage : 575 V  
 Rated current : 1.57 A  
 Locked rotor current : 14.0 A  
 Locked rotor current (I<sub>L</sub>/I<sub>n</sub>) : 8.9  
 No-load current : 0.600 A  
 Full load torque : 2.23 lb.ft  
 Locked rotor torque : 350 %  
 Breakdown torque : 380 %  
 Design : B  
 Insulation class : F  
 Temperature rise : 80 K  
 Locked rotor time : 21 s (hot)  
 Service factor : 1.25  
 Duty cycle : S1  
 Ambient temperature : -20°C - +40°C  
 Altitude : 1000 m  
 Degree of Protection : IP55  
 Approximate weight : 41 lb  
 Moment of inertia : 0.04699 sq.ft.lb  
 Noise level : 68 dB(A)

	D.E.	N.D.E.
Bearings	6205 ZZ	6204 ZZ
Regreasing interval	---	---
Grease amount	---	---

Load	Power factor	Efficiency (%)
100%	0.84	84.0
75%	0.80	84.0
50%	0.70	81.5

Notes:  
 Downloaded from <http://dealerselectric.com>  
 Generated for Model #00156ET3H143TC-W22

Performed by

Checked



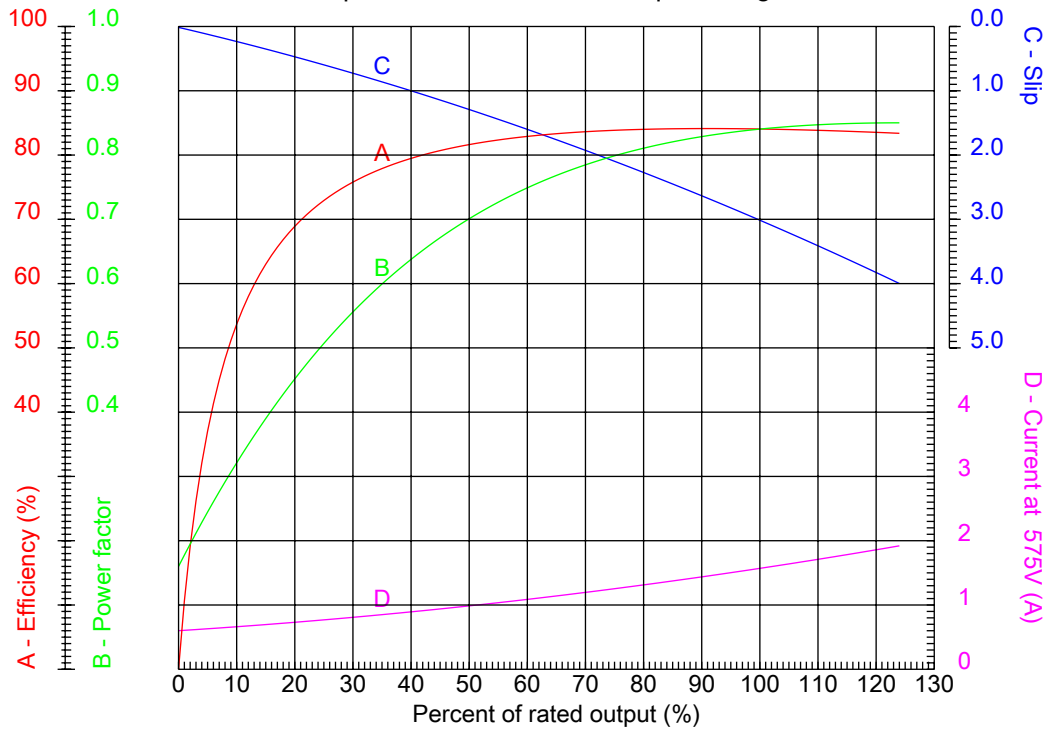
# Dealers Industrial Equipment

No.:

Date: 12-SEP-2016

## PERFORMANCE CURVES RELATED TO RATED OUTPUT

Three-phase induction motor - Squirrel cage rotor



Customer :  
Product line : W22 NEMA Premium - Ball Bearings

Frame : 143/5T	Locked rotor current (I <sub>L</sub> /I <sub>n</sub> ) : 8.9
Output : 1.5 HP	Duty cycle : S1
Frequency : 60 Hz	Service factor : 1.25
Full load speed : 3490 rpm	Design : B
Voltage : 575 V	Locked rotor torque : 350 %
Rated current : 1.57 A	Breakdown torque : 380 %
Insulation class : F	

Notes:  
Downloaded from <http://dealerselectric.com>  
Generated for Model #00156ET3H143TC-W22

Performed by

Checked



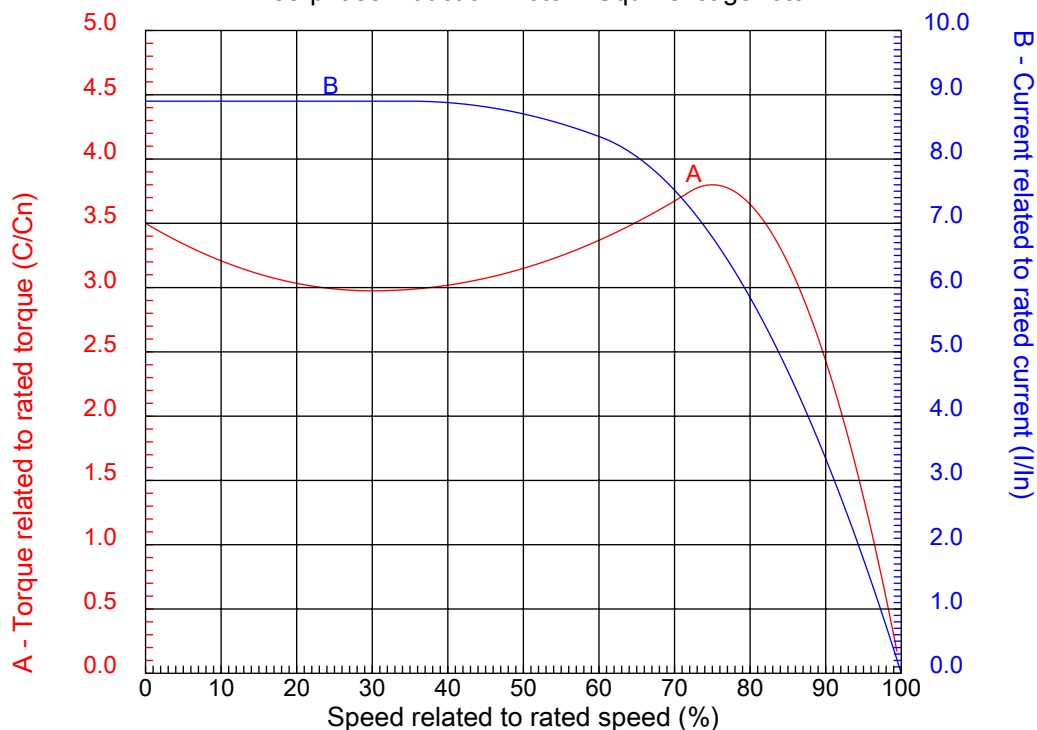
# Dealers Industrial Equipment

No.:

Date: 12-SEP-2016

## CHARACTERISTIC CURVES RELATED TO SPEED

Three-phase induction motor - Squirrel cage rotor



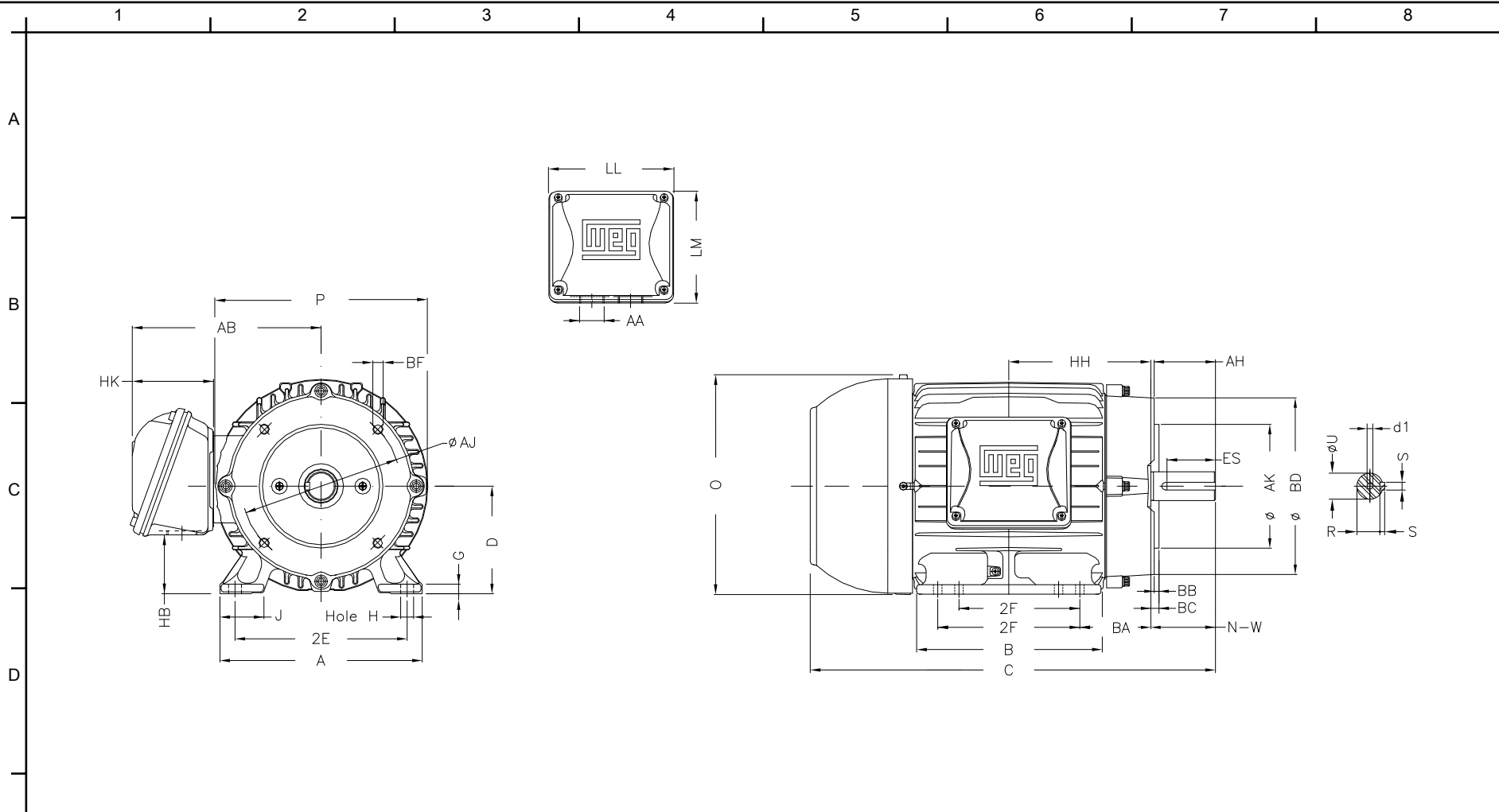
Customer	:	
Product line	:	W22 NEMA Premium - Ball Bearings

Frame	: 143/5T	Locked rotor current (I <sub>l</sub> /I <sub>n</sub> )	: 8.9
Output	: 1.5 HP	Duty cycle	: S1
Frequency	: 60 Hz	Service factor	: 1.25
Full load speed	: 3490 rpm	Design	: B
Voltage	: 575 V	Locked rotor torque	: 350 %
Rated current	: 1.57 A	Breakdown torque	: 380 %
Insulation class	: F		

Notes:  
 Downloaded from <http://dealerselectric.com>  
 Generated for Model #00156ET3H143TC-W22

Performed by

Checked



Notes: Downloaded from <http://dealerselectric.com>  
 Generated for Model #00156ET3H143TC-W22

E	2E 5.500	J 1.437	A 6.457	P 7.244	AB 6.260
	2F 4.000/5.000	B 6.142	BA 2.250	FBA 4.082	U 0.875
	N-W 2.250	ES 1.575	S 0.187	R 0.771	depth 0.187
	D 3.500	G 0.354	HB 1.787	O 7.122	T 0.007
	HF 3.500	HH 4.750	HK 2.638	EV 0.571	H 0.340
F	C 13.346	FC 15.202	LL 4.528	LM 4.094	AA NPT 3/4"
	d1 A 3.15	Flange FC-149	AJ 5.875	AK 4.500	BD 6.500
	BF UNC 3/8"x16	BB 0.157	BC 0.125	AH 2.125	

Performed by:

Checked:

Customer:

W22 NEMA Premium - Ball Bearings

Three-phase induction motor  
 Frame 143/5T - IP55

12-SEP-2016



1 2 3 4 5 6 7 8

A  
B  
C  
D  
E  
F

### RUN



### ONLY FOR START



Notes: Downloaded from <a href="http://dealerselectric.com">http://dealerselectric.com</a> Generated for Model #00156ET3H143TC-W22		
Performed by:		
Checked:		
Customer:		
W22 NEMA Premium - Ball Bearings		
Three-phase induction motor Frame 143/5T - IP55	12-SEP-2016	