



# Dealers Industrial Equipment

No.:

Date: 12-SEP-2016

Customer :

## TECHNICAL PROPOSAL

### Three-phase induction motor - Squirrel cage rotor

Product line : Three-Phase: W01 (Rolled Steel) - TEFC - Premium Efficiency (DOE)

Catalog Number : 00156ET3E56CFL-S

List Price : \$461

#### Notes:

Downloaded from <http://dealerselectric.com>

Generated for Model #00156ET3E56CFL-S

Performed by:

Checked:



# Dealers Industrial Equipment

No.:

Date: 12-SEP-2016

## DATA SHEET Three-phase induction motor - Squirrel cage rotor

Customer :  
 Product line : Three-Phase: W01 (Rolled Steel) - TEFC - Premium Efficiency (DOE)

Frame : 56  
 Output : 1.5 HP  
 Frequency : 60 Hz  
 Poles : 2  
 Full load speed : 3520 rpm  
 Slip : 2.22 %  
 Voltage : 208-230/460 V  
 Rated current : 4.14-3.74/1.87 A  
 Locked rotor current : 34.0/17.0 A  
 Locked rotor current (I<sub>L</sub>/I<sub>n</sub>) : 9.1  
 No-load current : 1.72/0.859 A  
 Full load torque : 2.21 lb.ft  
 Locked rotor torque : 230 %  
 Breakdown torque : 300 %  
 Design : B  
 Insulation class : F  
 Temperature rise : 80 K  
 Locked rotor time : 17 s (hot)  
 Service factor : 1.15  
 Duty cycle : S1  
 Ambient temperature : -20°C - +40°C  
 Altitude : 1000 m  
 Degree of Protection : IP55  
 Approximate weight : 34 lb  
 Moment of inertia : 0.10228 sq.ft.lb  
 Noise level : 68 dB(A)

|                     | D.E.    | N.D.E.  |
|---------------------|---------|---------|
| Bearings            | 6204 ZZ | 6202 ZZ |
| Regreasing interval | ---     | ---     |
| Grease amount       | ---     | ---     |

| Load | Power factor | Efficiency (%) |
|------|--------------|----------------|
| 100% | 0.88         | 84.0           |
| 75%  | 0.82         | 82.5           |
| 50%  | 0.71         | 80.0           |

Notes:  
 Downloaded from <http://dealerselectric.com>  
 Generated for Model #00156ET3E56CFL-S

Performed by

Checked



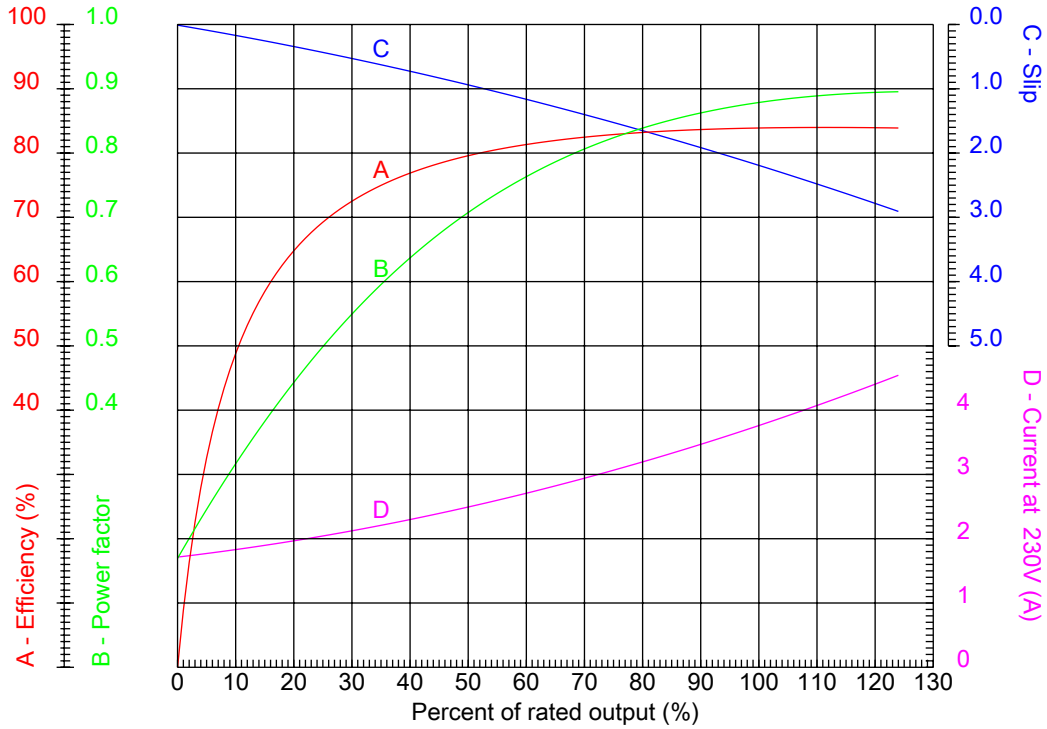
# Dealers Industrial Equipment

No.:

Date: 12-SEP-2016

## PERFORMANCE CURVES RELATED TO RATED OUTPUT

Three-phase induction motor - Squirrel cage rotor



Customer :  
 Product line : Three-Phase: W01 (Rolled Steel) - TEFC - Premium Efficiency (DOE)

|                  |                    |  |         |
|------------------|--------------------|--|---------|
| Frame            | : 56               | Locked rotor current (I <sub>l</sub> /I <sub>n</sub> ) | : 9.1   |
| Output           | : 1.5 HP           | Duty cycle   | : S1    |
| Frequency        | : 60 Hz            | Service factor   | : 1.15  |
| Full load speed  | : 3520 rpm         | Design   | : B     |
| Voltage          | : 208-230/460 V    | Locked rotor torque                                    | : 230 % |
| Rated current    | : 4.14-3.74/1.87 A | Breakdown torque                                       | : 300 % |
| Insulation class | : F                |  |         |

Notes:  
 Downloaded from <http://dealerselectric.com>  
 Generated for Model #00156ET3E56CFL-S

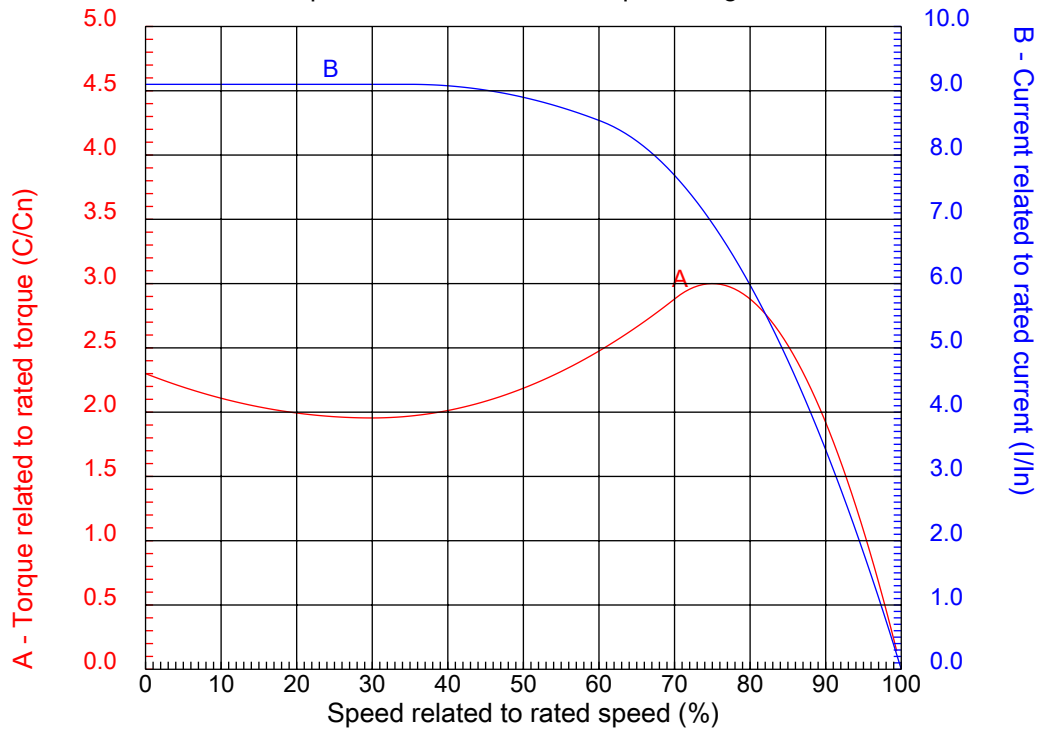
Performed by

Checked



## CHARACTERISTIC CURVES RELATED TO SPEED

Three-phase induction motor - Squirrel cage rotor



Customer :  
Product line : Three-Phase: W01 (Rolled Steel) - TEFC - Premium Efficiency (DOE)

|                  |                    |  |         |
|------------------|--------------------|--|---------|
| Frame            | : 56               | Locked rotor current (I <sub>l</sub> /I <sub>n</sub> ) | : 9.1   |
| Output           | : 1.5 HP           | Duty cycle   | : S1    |
| Frequency        | : 60 Hz            | Service factor   | : 1.15  |
| Full load speed  | : 3520 rpm         | Design   | : B     |
| Voltage          | : 208-230/460 V    | Locked rotor torque                                    | : 230 % |
| Rated current    | : 4.14-3.74/1.87 A | Breakdown torque                                       | : 300 % |
| Insulation class | : F                |  |         |

Notes:  
Downloaded from <http://dealerselectric.com>  
Generated for Model #00156ET3E56CFL-S

Performed by

Checked

1 2 3 4 5 6 7 8

A

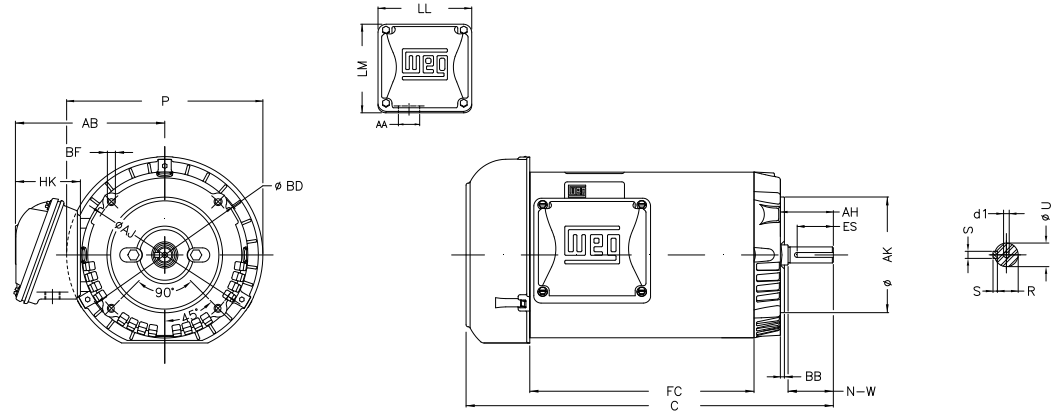
B

C

D

E

F



Notes: Downloaded from <http://dealerselectric.com>  
Generated for Model #00156ET3E56CFL-S

Performed by:

Checked:

Customer:

Three-Phase: W01 (Rolled Steel) - TEFC - Premium Efficiency (DOE)

|        |       |        |       |                |
|--------|-------|--------|-------|----------------|
| P      | AB    | HK     | FC    | C              |
| 7.638  | 5.882 | 2.638  | 7.480 | 13.109         |
| N-W    | ES    | d1     | S     | U              |
| 1.874  | 1.417 | A 3.15 | 0.187 | 0.625          |
| AA     | depth | R      | LL    | LM             |
| 0.881" | 0.187 | 0.517  | 4.543 | 4.106          |
| Flange | AJ    | AK     | BD    | BF             |
| FC-149 | 5.874 | 4.500  | 6.450 | UNC 3/8"x16-2B |
| BB     | AH    |        |       |                |
| 0.157  | 2.062 |        |       |                |

Three-phase induction motor  
Frame 56 - IP55

12-SEP-2016

